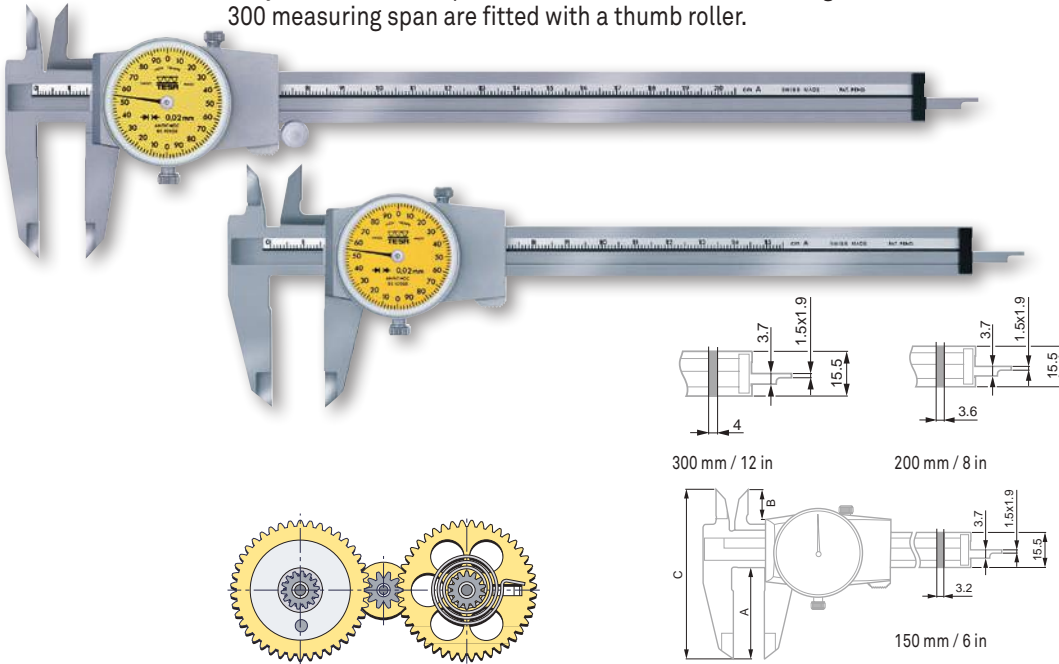


## DIAL CALIPERS

Rugged construction – High accuracy – Patented shockproof design – Ideal for use in the workshop.

### Models TESA CCMA-M

Easy-to-read dial calipers – Slider with metal dial housing – Models with a 200 or 300 measuring span are fitted with a thumb roller.

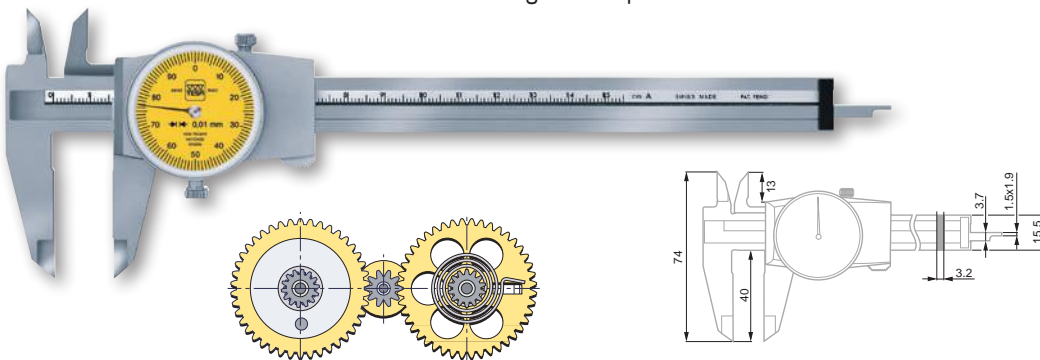


	Thumb roller	A mm	B mm	C mm			
00510008	0 ÷ 150 mm	0,02 mm	2 mm	–	40	13	74
00520002	0 ÷ 6 in	0,001 in	0.1 in	–	40	13	74
00510045	0 ÷ 200 mm	0,02 mm	2 mm	●	50	18,6	89,5
00510046	0 ÷ 300 mm	0,02 mm	2 mm	●	64	20,6	105,5

OPTIONAL ACCESSORY:  
00560013 Depth foot for calipers up to 150 mm

### Model TESA CCMA-M, 0,01 mm

Slider with metal dial housing – 1 mm per dial revolution.



	mm	mm	mm	
00510050	0 ÷ 150 mm	0,01	1 mm	

OPTIONAL ACCESSORY:  
00560013 Depth foot for calipers up to 150 mm

- DIN 862 (Style 1AR)
- ≤ 100 mm = 20 µm  
>100 mm = 30 µm
- Gear mechanism made of hardened ground steel
- Hardened stainless steel
- Plastic storage case
- Inspection report with a declaration of conformity
- Serial number identification
- 32 mm diameter rotating dial with lock
- Slider with locking screw
- Patented shockproof design

- DIN 862 (Style 1AR)
- ≤ 100 mm = 20 µm  
>100 mm = 30 µm
- Gear mechanism made of hardened ground steel
- Hardened stainless steel
- Plastic storage case
- Inspection report with a declaration of conformity
- Serial number identification
- 32 mm diameter rotating dial with lock
- Slider with locking screw
- Patented shockproof design