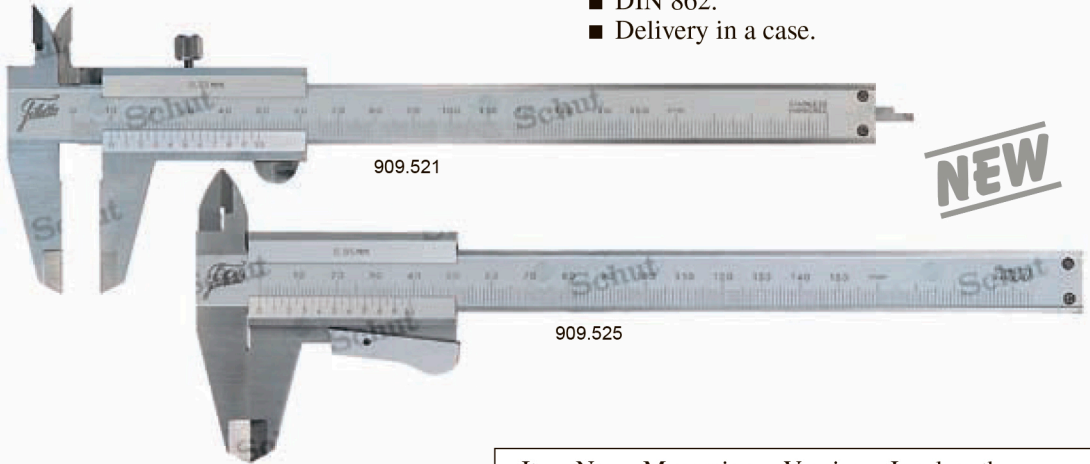


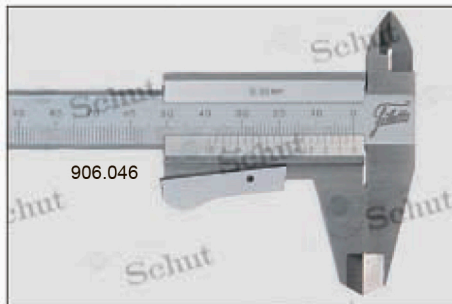
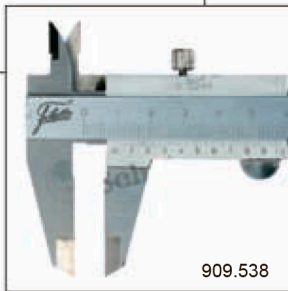
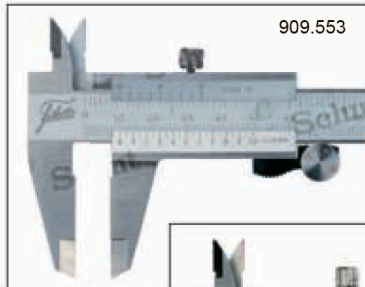
Calipers

Hardened stainless steel calipers with no-glare chrome finished scale and vernier.

- Measuring range: 0 - 300 mm.
- Vernier: 0.05 or 0.02 mm.
- Raised sliders (except 909.538).
- Locking screw or spring release.
- Flat depth rod.
- Thread table on the back side.
- DIN 862.
- Delivery in a case.



NEW



Item No.	Measuring range/mm	Vernier mm	Jaw length mm
Locking screw on top:			
909.541	0 - 150	0.02	40
909.542	0 - 160	0.02	40
909.543	0 - 200	0.02	50
909.544	0 - 300	0.02	62
Locking screw on top:			
909.520	0 - 100	0.05	30
909.521	0 - 150	0.05	40
909.522	0 - 160	0.05	40
909.523	0 - 200	0.05	50
909.524	0 - 300	0.05	62
With thumb wheel (locking screw on top):			
909.553	0 - 150	0.05	40
909.554	0 - 200	0.05	50
909.555	0 - 300	0.05	62
Parallax-free (locking screw on top):			
909.538	0 - 150	0.05	40
Spring release:			
909.525	0 - 150	0.05	40
909.526	0 - 160	0.05	40
909.527	0 - 200	0.05	50
909.528	0 - 300	0.05	62
Spring release, left-handed model:			
906.046	0 - 150	0.05	40
906.047	0 - 150	0.02	40