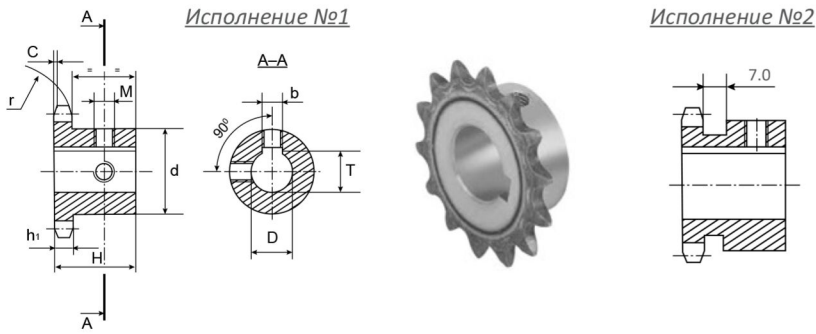


# 10B-1 5/8" x 3/8"



ЦЕПЬ		ISO, мм
Тип	10B-1 DIN 8187 ISO/R606	
Шаг	15,875	
Внутренняя ширина	9,7	
Ø ролика	10,0	
ЗВЕЗДОЧКИ		
Радиус зуба r	16,0	
Ширина радиуса C	1,6	
Ширина зуба h <sub>1</sub>	9,1	

Материал: сталь С45 Е – UNI EN 10083-1 Размеры b, T, M см. стр. 5

КОД	Z	D мм	H мм	d мм	КОД	Z	D мм	H мм	d мм	КОД	Z	D мм	H мм	d мм	КОД	Z	D мм	H мм	d мм
10SA510	10	15	25	35	10SB814	14	28	30	52	10SA919	19	19	30	70	10SC522	22	35	30	80
10SA610		16			10SC014		30			10SB019		20			10SC822		38		
10SA910		19			10SC214		32			10SB219		22			10SD022		40		
10SB010		20			10SA915		19			10SB419		24			10SD222		42		
10SB410		24			10SB015	20	10SB519	25	10SA923	19		30			80				
10SA511	11	15	30	37	10SB819	28	10SB023	20											
10SA611		16			10SB215	22	10SB223	22											
10SA811		18			10SB415	24	10SB423	24											
10SA911		19			10SB515	25	10SB523	25											
10SB011		20			10SB815	28	10SB823	28											
10SB411	24	10SC015	30	10SD019	40	10SC023	30	30	80										
10SB511	25	10SC215	32	10SD219	42	10SC223	32												
10SB811	28	10SC515	35	10SA916	19	10SC523	35												
10SC011	30	10SA916	20	10SB016	20	10SC823	38												
10SA512	12	15	30	42	10SB216	22	10SD023			40									
10SA612		16			10SB416	24	10SD223	42											
10SA812		18			10SB516	25	10SA924	19	30	80									
10SA912		19			10SB816	28	10SB024	20											
10SB012		20			10SC016	30	10SB224	22											
10SB212	22	10SC216	32	10SB424	24														
10SB412	24	10SC516	35	10SB524	25														
10SB512	25	10SC816	38	10SC820	38	10SB824	28	30	80										
10SB812	28	10SA917	19	10SD020	40	10SC024	30												
10SC012	30	10SB017	20	10SD220	42	10SC224	32												
10SC212	32	10SB217	22	10SA921	19	10SC524	35												
10SA513	13	15	30	47	10SB417	24	10SC824			38									
10SA613		16			10SB517	25	10SD024	40											
10SA813		18			10SB817	28	10SD224	42											
10SA913		19			10SC017	30	10SA925	19	30	80									
10SB013		20			10SC217	32	10SB025	20											
10SB213	22	10SC517	35	10SB225	22														
10SB413	24	10SB817	38	10SB425	24														
10SB513	25	10SA918	19	10SB525	25														
10SB813	28	10SB018	20	10SB825	28														
10SC013	30	10SB218	22	10SC025	30	30	80												
10SC213	32	10SB418	24	10SC225	32														
10SA514	14	15	30	52	10SB518			25	10SC525	35									
10SA614		16			10SB818			28	10SC825	38									
10SA814		18			10SC018			30	10SD025	40									
10SA914		19			10SC218	32	10SD225	42											
10SB014		20			10SC518	35													
10SB214	22	10SC818	38																
10SB414	24	10SD018	40																
10SB514	25	10SD218	42																

\* звездочка исполнения №2