

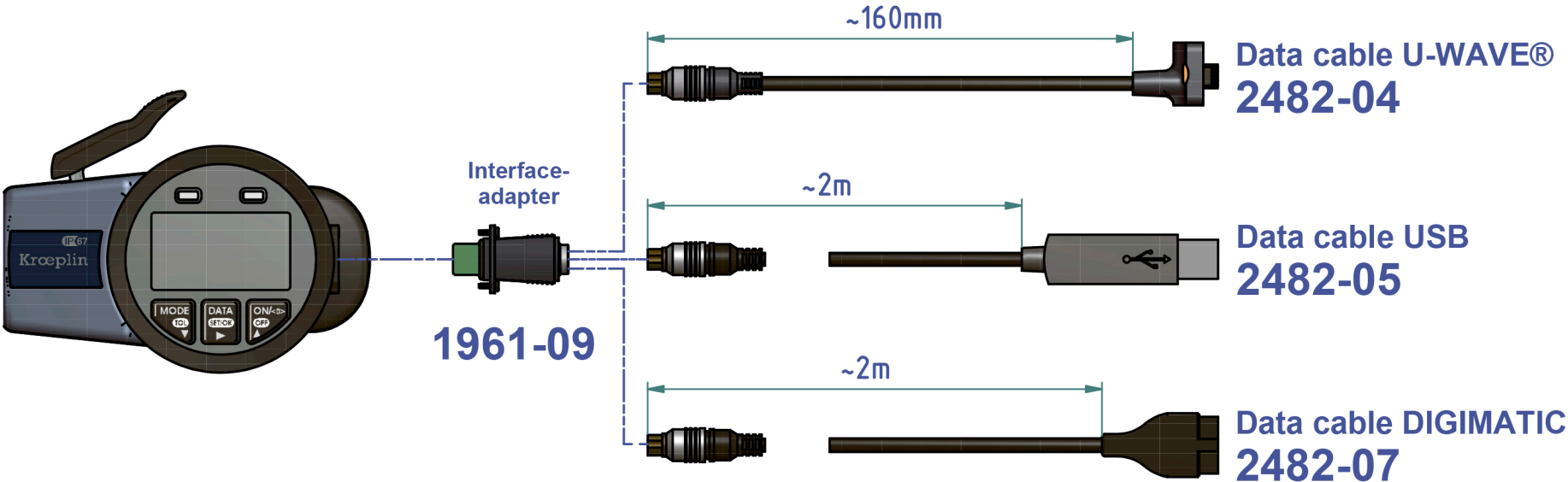
subject to technical alterations

**type:** E200  
**range:** 0 - 50 mm  
**range of indication:** 0 - 50,5 mm  
**digital step:** 0,02 mm  
**scale interval:**  
**measuring force:** 0,8 - 1,7 N  
**weight:** 490 g

acceptable deviations  
 VDI/VDE/DGQ 2618 Bl. 12.1/13.1)  
**max. permissible**  
**errors "G":** 0,06 mm  
**repeatability "r":** 0,04 mm  
**reference temperature:** 20° C  
**operation temperature:** 10° C - 30° C  
**storage temperature:** -10° C - 50° C

**scale:** 1:2  
**drawing-nr.:** DAB-C450\_KR\_en  
**date of issue:** 10.04.2013  
**name:** Lange  
**revision status:**  
**revision date:**

interface as accessories available:



subject to technical alterations

drawing-nr.:	DAB-C450_KR_en
date of issue:	10.04.2013
name:	Lange
revision status:	
revision date:	