

SCALE: 1:1

SUBJECT TO TECHNICAL ALTERATIONS

TYPE: Pocotest
 RANGE OF APPLICATION: 0–10mm
 SCALE INTERVAL: 0.1mm

ACCEPTABLE DEVIATIONS:

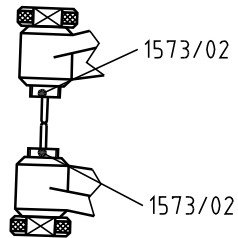
TOTAL MEASURING RANGE $f_M = \pm 0.1\text{mm}$
 PARTIAL MEASURING RANGE $f_t = \text{-----}$
 REPEATABILITY $f_w = 0.05\text{mm}$

MEASURING FORCE: 0.3–1.3N
 WEIGHT: 40g

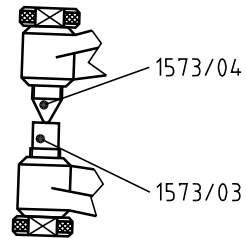
REFERENCE TEMPERATURE: 20°C
 OPERATION TEMPERATURE: 10°C–30°C
 STORAGE TEMPERATURE: –10°C–50°C

DATA SHEET POCO 2

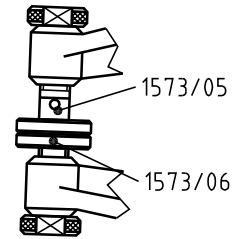
POCO 2N



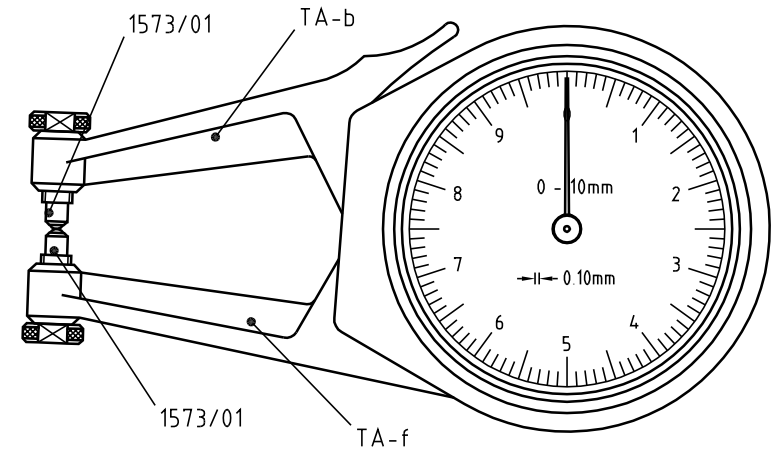
POCO 2F



POCO 2T

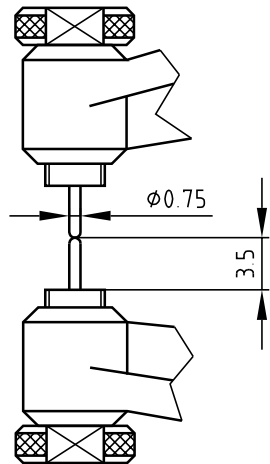


POCO 2K

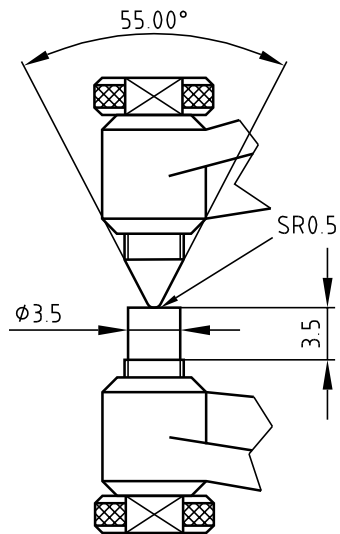


measuring contact forms:

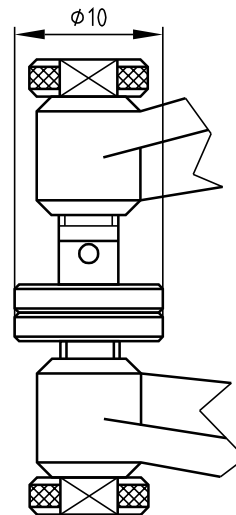
POCO 2N



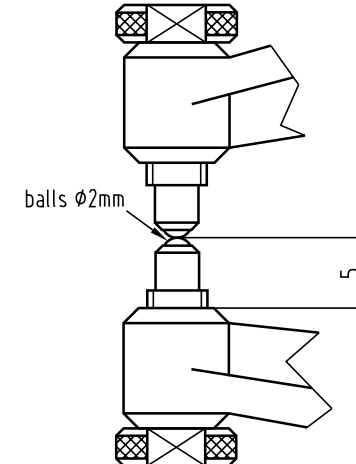
POCO 2F



POCO 2T



POCO 2K



SPARE PARTS

-MEASURING CONTACTS FOR POCO 2K
ORDER NO. (for TA-f): 1573/01
ORDER NO. (for TA-b): 1573/01

-MEASURING CONTACTS FOR POCO 2T
ORDER NO. (for TA-f): 1573/06
ORDER NO. (for TA-b): 1573/05

-MEASURING CONTACTS FOR POCO 2F
ORDER NO. (for TA-f): 1573/03
ORDER NO. (for TA-b): 1573/04

-MEASURING CONTACTS FOR POCO 2N
ORDER NO. (for TA-f): 1573/02
ORDER NO. (for TA-b): 1573/02