

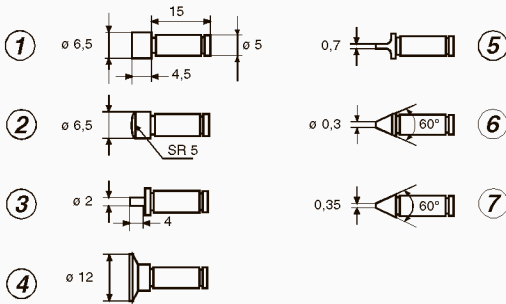
Universal micrometers

Thanks to the seven interchangeable measuring inserts, which are available as an option, you are very flexible with these micrometers.

- Measuring range: 0- 200 mm.
- Analog: graduation 0.01 mm, digital: resolution 0.001 mm.
- Non-rotating spindle.
- Insert shaft: $\varnothing 5$ mm.
- Varnished frame, no-glare chrome finished thimble.

Digital

- mm/inch conversion.
- ABS/INC switchable.
- On/off switch.
- Preset (except 906.770).
- Adjustable tolerance limits (only 906.770).
- Power supply: 1 battery type V357.



Item No.	Measuring range/mm	Accuracy mm
Analog, without measuring inserts:		
906.780	0- 25	± 0.004
906.781	25- 50	± 0.004
906.782	50- 75	± 0.004
906.783	75- 100	± 0.005
906.784	100- 125	± 0.005
906.785	125- 150	± 0.005
906.786	150- 175	± 0.006
906.787	175- 200	± 0.006
Digital, without measuring inserts:		
906.770	0- 25	± 0.004
906.771	25- 50	± 0.004
906.772	50- 75	± 0.004
906.773	75- 100	± 0.005
906.774	100- 125	± 0.005
906.775	125- 150	± 0.005
906.776	150- 175	± 0.006
906.777	175- 200	± 0.006
Option:		
836.535	Spare battery	

No.	Item No.	Description measuring faces
Measuring inserts, per pair:		
①	906.788	flat
②	906.789	spherical
③	906.790	small
④	906.791	disc
⑤	906.792	knife/flat
⑥	906.793	point
⑦	906.794	knife
906.795		Set of 7 pairs