

MICROMASTER with 7 Pairs of Interchangeable Measuring Inserts

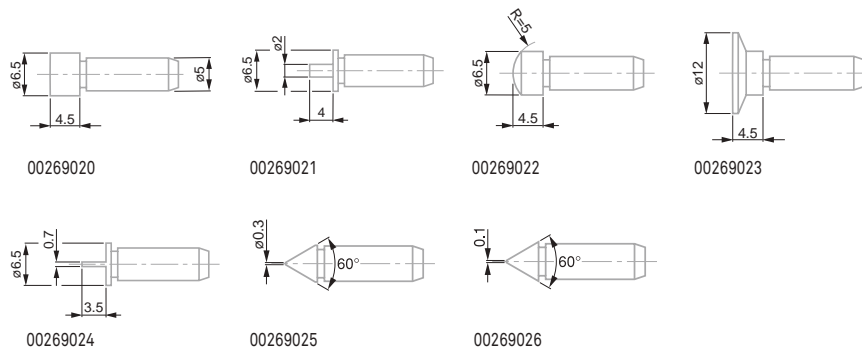
Non-rotating spindle, without spindle lock.



No	mm	in
06030045	0 ÷ 30	0 ÷ 1.2
CONSISTING OF:		
06030099	MICROMASTER single micrometer for use with interchangeable measuring inserts, 0-30 mm	
00269027	Full set of 7 pairs of inserts	

- 0,001 mm / 0.00005 in
- Conversion mm/in
- Micrometer element with a max. perm. error of 4 µm
- Hardened steel
- 7,5 mm diameter non-rotating spindle. With a fixing bore for a measuring insert. Adjustable attachment on the anvil for a measuring insert, with lock.
- Plastic case
- Inspection report with a declaration of conformity
- Identification number
- RS232
- Additional technical data: see standard
- Max. 10 N

Full Set of Measuring Inserts for MICROMASTER with Interchangeable Inserts



No	=
00269027	Full set of 7 pairs of inserts
COMPOSITION OF THE SETS:	
00269020	Pair of flat inserts
00269021	Pair of spline inserts
00269022	Pair of spherical inserts
00269023	Pair of disc inserts
00269024	Pair of blade inserts
00269025	Pair of point inserts
00269026	Pair of knife edge inserts