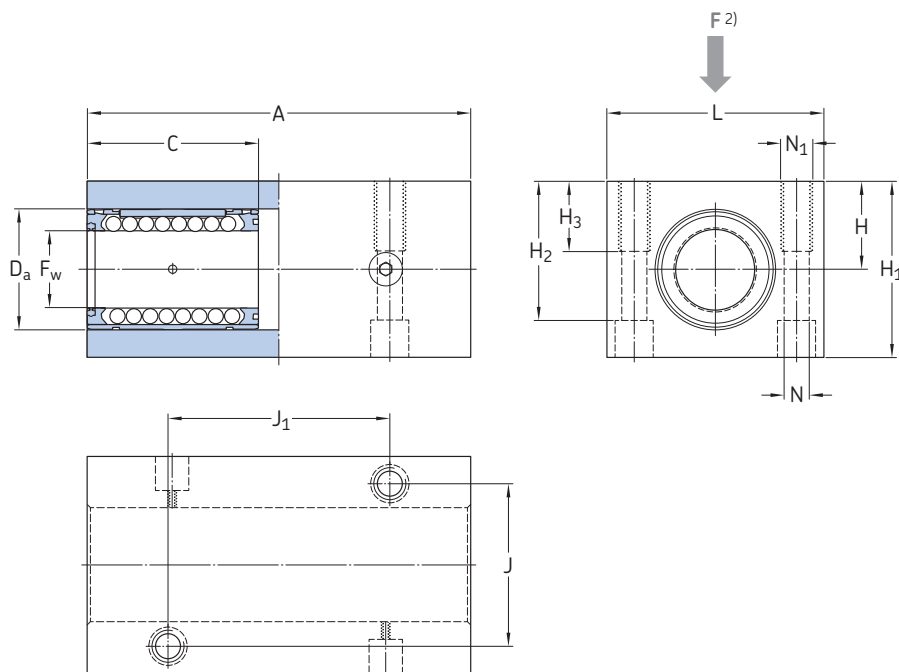


closed housing, can be relubricated, equipped with LBCD .. D bearing, self-aligning

F_w 12 – 40 mm



With double lip seals on the outside

Dimensions										Basic load ratings				Mass	Designations			
F _w	A	C	D _a	H ±0,01	H ₁	H ₂	H ₃	J	J ₁	L	N ¹⁾	N ₁ ¹⁾	C min	max	C ₀ min	max	kg	Linear bearing unit with double lip seals
mm													N		kg	–		
12	76	32	22	18	35	27	13	30	40	42	5,3	M 6	1 290	2 000	1 140	1 860	0,246	LTCD 12 D-2LS
16	84	36	26	22	41,5	33	13	36	45	50	5,3	M 6	1 530	2 280	1 320	2 120	0,382	LTCD 16 D-2LS
20	104	45	32	25	49,5	39,5	18	45	55	60	6,4	M 8	2 800	4 150	2 240	3 600	0,696	LTCD 20 D-2LS
25	130	58	40	30	59,5	47	22	54	70	74	8,4	M 10	4 250	6 200	2 850	4 650	1,282	LTCD 25 D-2LS
30	152	68	47	35	69,5	55	26	62	85	84	10,5	M 12	6 200	9 150	4 650	7 500	1,85	LTCD 30 D-2LS
40	176	80	62	45	89,5	71	34	80	100	108	13	M 16	10 600	15 600	6 700	11 400	3,43	LTCD 40 D-2LS

Upon request LTCD .. D linear ball bearing units are available with ball bearings in stainless steel execution. Designation: e.g. LTCD 20 D-2LS/HV6.

For suitable shaft blocks LSCS/LSNS for these bearing units → *Linear bearings and units* (4182 EN).

¹⁾ For 2 cylindrical screws with internal hexagon to DIN 912 / ISO 4762.

²⁾ Direction for max. load ratings