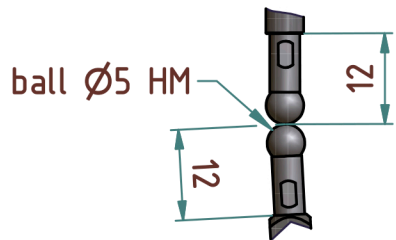


B (1 : 1)



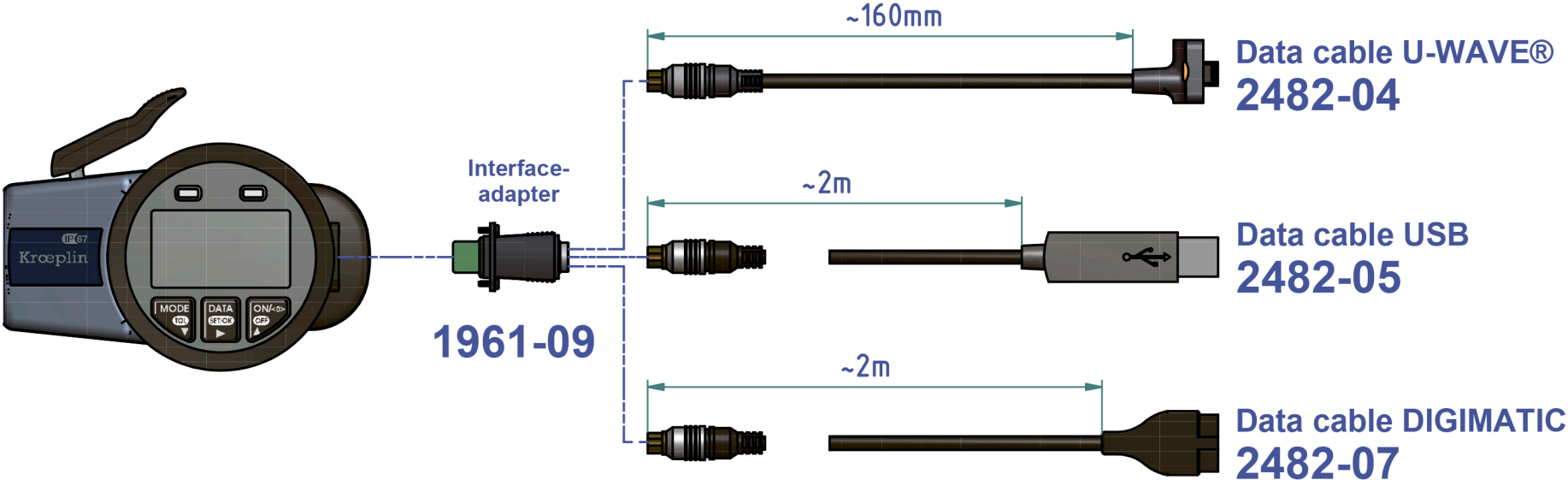
subject to technical alterations

type: E200
 range: 0 - 50 mm
 range of indication: 0 - 50,5 mm
 digital step: 0,02 mm
 scale interval:
 measuring force: 0,8 - 1,7 N
 weight: 510 g

acceptable deviations
 VDI/VDE/DGQ 2618 Bl. 12.1/13.1)
 max. permissible
 errors "G": 0,08 mm
 repeatability "r": 0,06 mm
 reference temperature: 20° C
 operation temperature: 10° C - 30° C
 storage temperature: -10° C - 50° C

scale: 1:2
 drawing-nr.: DAB-C450B_KR_en
 date of issue: 10.04.2013
 name: Lange
 revision status:
 revision date:

interface as accessories available:



subject to technical alterations

drawing-nr.:	DAB-C450B_KR_en
date of issue:	10.04.2013
name:	Lange
revision status:	
revision date:	