

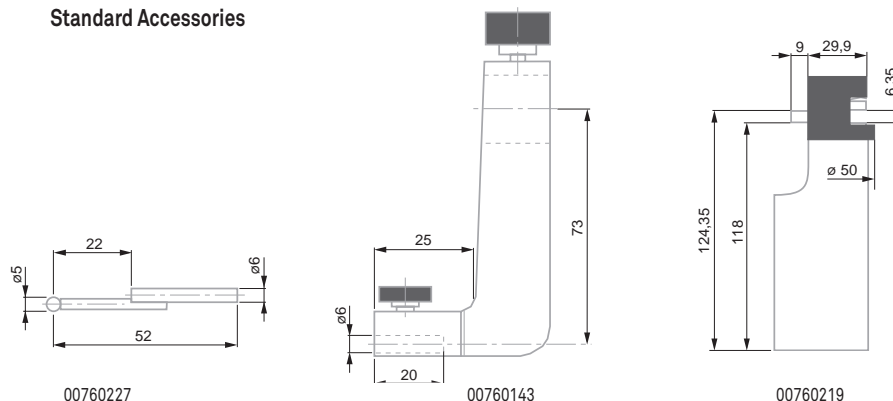
| 00730043 | TESA-HITE 400 | 415 | 16 |
|------------------------------|---|------------|------------|
| 00730044 | TESA-HITE 700 | 715 | 28 |
| CONSISTING OF: | | 400 | 700 |
| 00760143 | Standard probe insert holder | ● | ● |
| 00760157 | Rechargeable battery, 6V | ● | ● |
| 00760219 | Master piece for establishin the probe constant, nominal dimension to 6,350 mm / 0.250 in | ● | ● |
| 00760226 | Electric pump for creating the air-cushion beneath the gauge base, already mounted | ● | ● |
| 00760227 | Standard probe insert with shank and 5 mm dia. ball tip in tungsten carbide | ● | ● |
| 04761054 | Mains adapter 100 ÷ 200 VAC / 50 ÷ 60 Hz | ● | ● |
| 04761055 | Cable EU for mains adapter | ● | ● |
| 04761056 | Cable US for mains adapter | ● | ● |
| OPTIONAL ACCESSORIES: | | | |
| 04761052 | Extension cable, Sub-D 9p/f to 9p/m, 2 m | | |
| 04761063 | Sub-D 9p/m to USB cable, 2 m | | |
| 04760070 | RS port, used to connect a digital sensor for perpendicularity measurement | | |

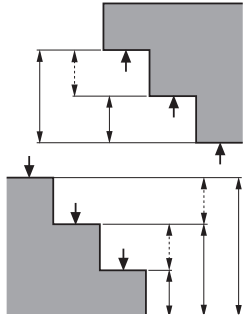
- $(12 \pm 1,5) \times 10^{-6} K^{-1}$
- 10 °C to 40 °C
- 10 °C to 60 °C
- 80 %, non-condensing
- IP40, electronics to IP65 (IEC 60529)
- EN 61326, Class B (with disconnected charger)
- See table opposite
- Shipping packaging
- Identification number
- Declaration of conformity
- SCS calibration certificate

Technical data

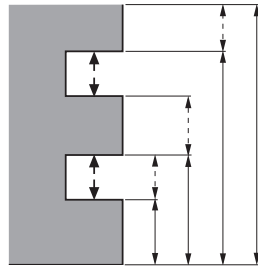
| | Models | | TESA-HITE 400 | TESA-HITE 700 |
|--|--|---------|---|---------------|
| | | mm | 415 | 715 |
| | | in | 16 | 28 |
| | With standard accessory | mm | 0 ÷ 570 | 0 ÷ 870 |
| | | in | 0 ÷ 22 | 0 ÷ 34 |
| | With probe insert holder No. 00760057 | mm | 0 ÷ 625 | 0 ÷ 925 |
| | | in | 0 ÷ 24 | 0 ÷ 36 |
| | With probe insert holder No. S07001622 | mm | 0 ÷ 795 | 0 ÷ 1095 |
| | | in | 0 ÷ 31 | 0 ÷ 43 |
| | With standard accessory | μm | (2,5 + 4 L) μm (L in m) | |
| | With standard accessory | in | (0.0001 + 0.000004 L) in (L in in) | |
| | With standard accessory | | On flat surfaces: $2\sigma < 2 \mu m / < 0.0001$ in Into bores: $2\sigma < 3 \mu m / < 0.00015$ in | |
| | Frontal, mechanical | μm | 9 | 13 |
| | | in | 0.00035 | 0.0005 |
| | | kg | 27 | 32 |

Standard Accessories

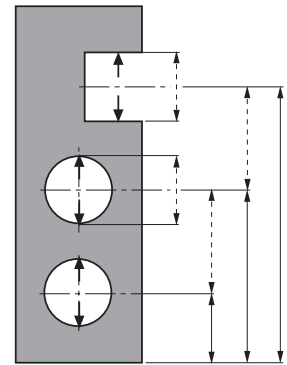




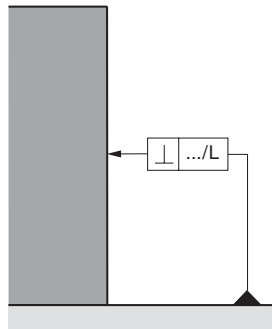
One-dimensional measurement



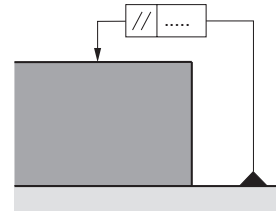
One-dimensional measurement



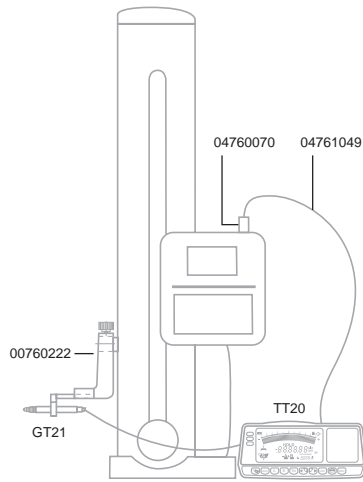
One-dimensional measurement



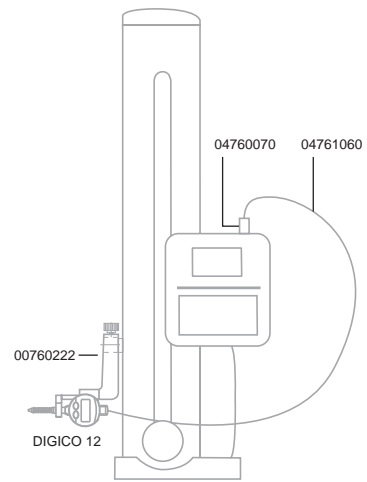
Perpendicularity measurement



Parallelism measurement



Configuration for perpendicularity measurement



Configuration for perpendicularity measurement

