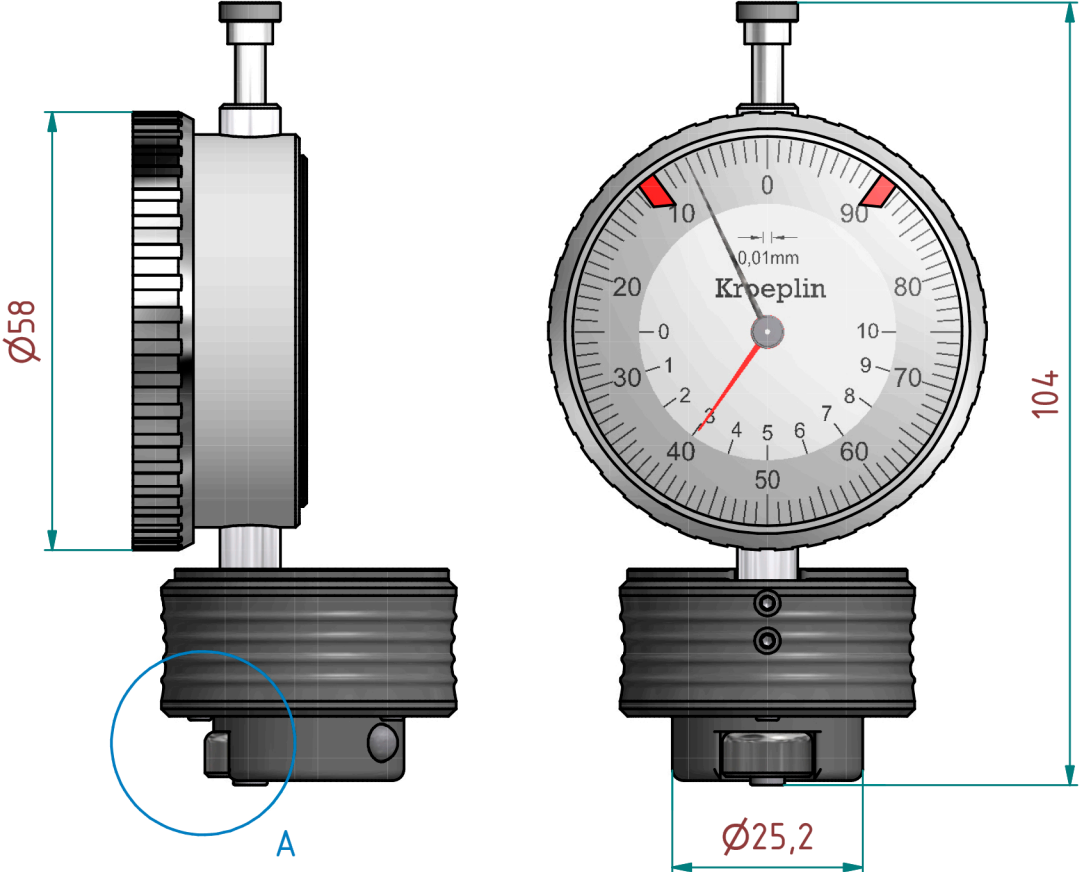
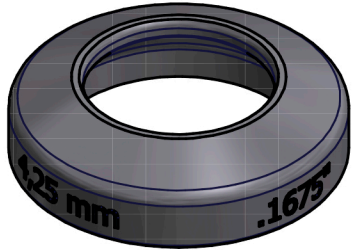
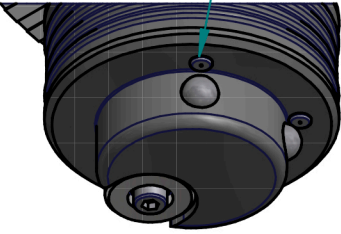


calibration with a adjusting ring 0641-31  
(included in delivery)

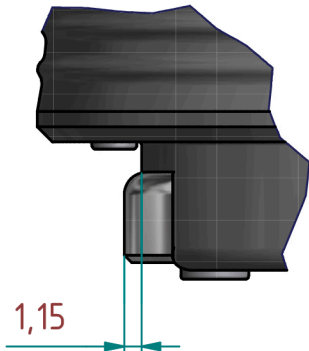


point of support (3x)



selective measurement  
on the hole round border  
through 3 point of support

A ( 2 : 1 )



subject to technical alterations

<b>type:</b>	aerosol
<b>range:</b>	3,5 - 5,0 mm
<b>range of indication:</b>	3,1 - 10,2 mm
<b>digital step:</b>	-
<b>scale interval:</b>	0,01 mm
<b>measuring force:</b>	2,0 - 3,0 N
<b>weight:</b>	300 g

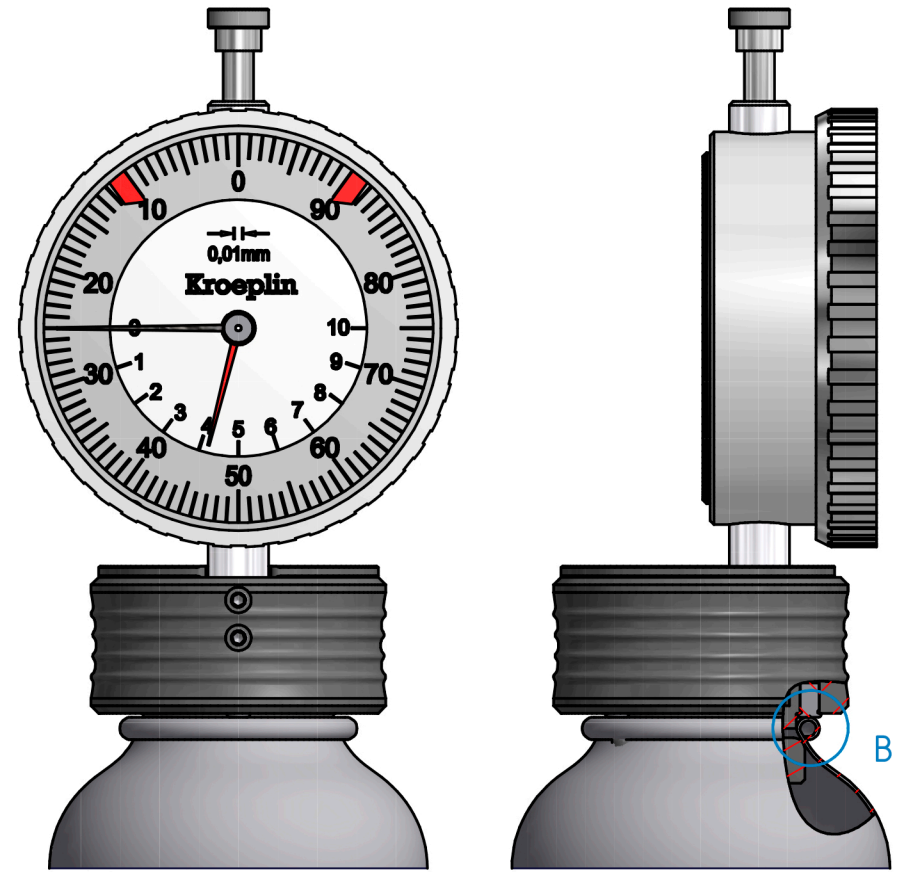
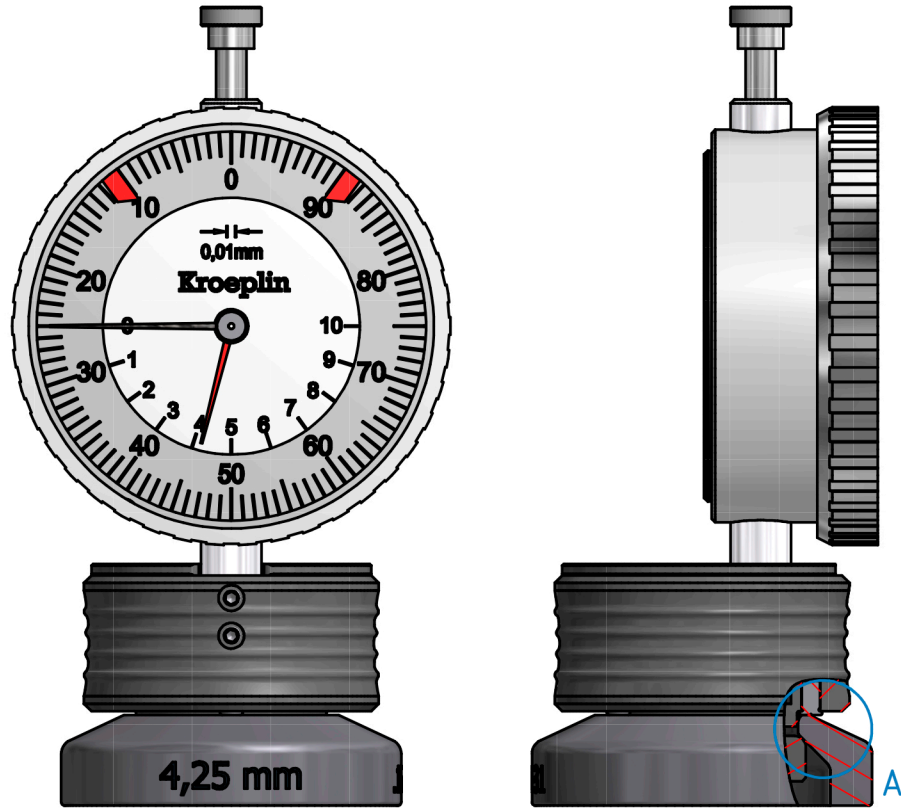
acceptable deviations VDI/VDE/DGQ 2618 Bl. 12.1/13.1)	
<b>max. permissible errors "G":</b>	
<b>errors "G":</b>	0,02 mm
<b>repeatability "r":</b>	0,02 mm
<b>reference temperature:</b>	20° C
<b>operation temperature:</b>	10° C - 30° C
<b>storage temperature:</b>	-10° C - 50° C

<b>scale:</b>	1:1
<b>drawing-nr.:</b>	A2130-DB_e
<b>date of issue:</b>	08.07.15
<b>name:</b>	T.König
<b>revision status:</b>	
<b>revision date:</b>	

A2130

calibration

measurement



B ( 2 : 1 )

A ( 2 : 1 )

