

subject to technical alterations

type: G
range: .10 - .49 INCH
range of indication: .0944 - .4922 INCH
digital step: .0002 INCH
scale interval: -
measuring force: 0,8 - 1,2 N
weight: 225 g

acceptable deviations
 VDI/VDE/DGQ 2618 Bl. 12.1/13.1)
max. permissible errors "G": .0008 INCH
repeatability "r": .0002 INCH
reference temperature: 20° C
operation temperature: 10° C - 30° C
storage temperature: -10° C - 50° C

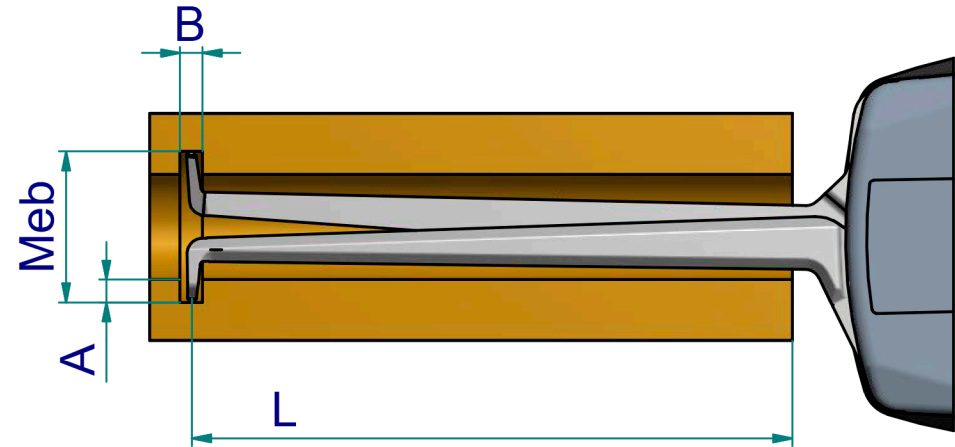
scale: 1:1
drawing-nr.: DAB-G102_KR_I
date of issue: 07.01.09
name: M. Balzer
revision status: 2078
revision date: 13.09.2013

measuring capacity

groove depth A [mm]	measuring range M_{eb} [mm]											
	.098	.118	.138	.157	.177	.197	.217	.236	.256	.276	.295	.315
0	0 / .39	0 / .41	0 / .41	0 / .41	0 / .41	0 / .42	0 / .43	0 / .44	0 / .45	0 / .46	0 / .48	0 / .49
.008		.02 / .36	.02 / .36	.02 / .36	.02 / .37	.02 / .37	.02 / .38	.02 / .39	.02 / .40	.02 / .41	.02 / .42	.02 / .43
.016			.02 / .31	.02 / .31	.02 / .32	.02 / .32	.02 / .33	.02 / .34	.02 / .34	.02 / .35	.02 / .36	.02 / .37
.024				.02 / .25	.02 / .25	.02 / .26	.02 / .27	.02 / .28	.02 / .28	.02 / .30	.02 / .30	.02 / .32
.028				.02 / .20	.02 / .21	.02 / .22	.02 / .22	.02 / .23	.02 / .24	.02 / .26	.02 / .27	.02 / .28
	B / L											

groove depth A [mm]	measuring range M_{eb} [mm]								
	.335	.354	.374	.394	.413	.433	.453	.472	.492
0	0 / .50	0 / .52	0 / .54	0 / .56	0 / .58	0 / .61	0 / .63	0 / .67	0 / .70
.008	.02 / .45	.02 / .46	.02 / .48	.02 / .50	.02 / .51	.02 / .54	.02 / .56	.02 / .59	.02 / .61
.016	.02 / .39	.02 / .40	.02 / .41	.02 / .43	.02 / .45	.02 / .46	.02 / .48	.02 / .50	.02 / .53
.024	.02 / .33	.02 / .34	.02 / .35	.02 / .36	.02 / .37	.02 / .39	.02 / .41	.02 / .43	.02 / .45
.028	.02 / .29	.02 / .30	.02 / .32	.02 / .33	.02 / .34	.02 / .35	.02 / .37	.02 / .39	.02 / .41
	B / L								

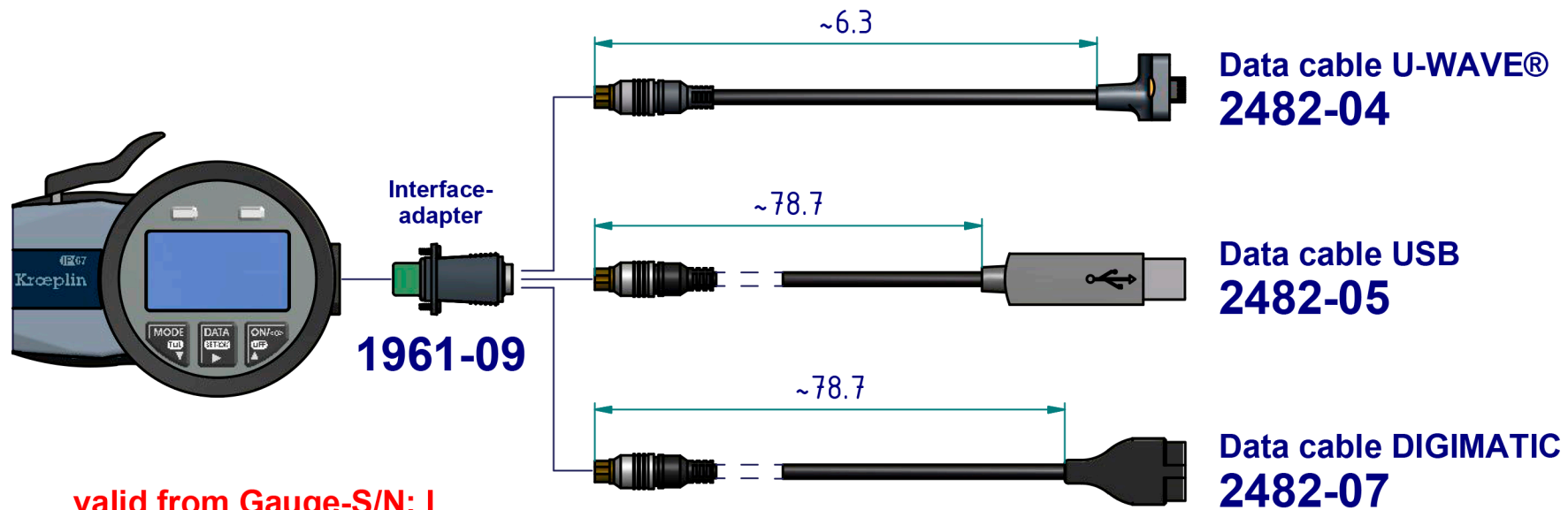
B = minimum groove width [mm] Example: $M_{eb} = .157$ B = .02
 L = maximum usable arm length [mm] A = .016 L = .31



subject to technical alterations

drawing-nr.: DAB-G102_KR_I
 date of issue: 07.01.09
 name: M. Balzer
 revision status:
 revision date:

interface as accessories available:



valid from Gauge-S/N: I
Always specify serial number
when ordering Interfaces or accessories!

subject to technical alterations

drawing-nr.:	DAB-G102_KR_I
date of issue:	07.01.09
name:	M. Balzer
revision status:	2043
revision date:	27.02.12