

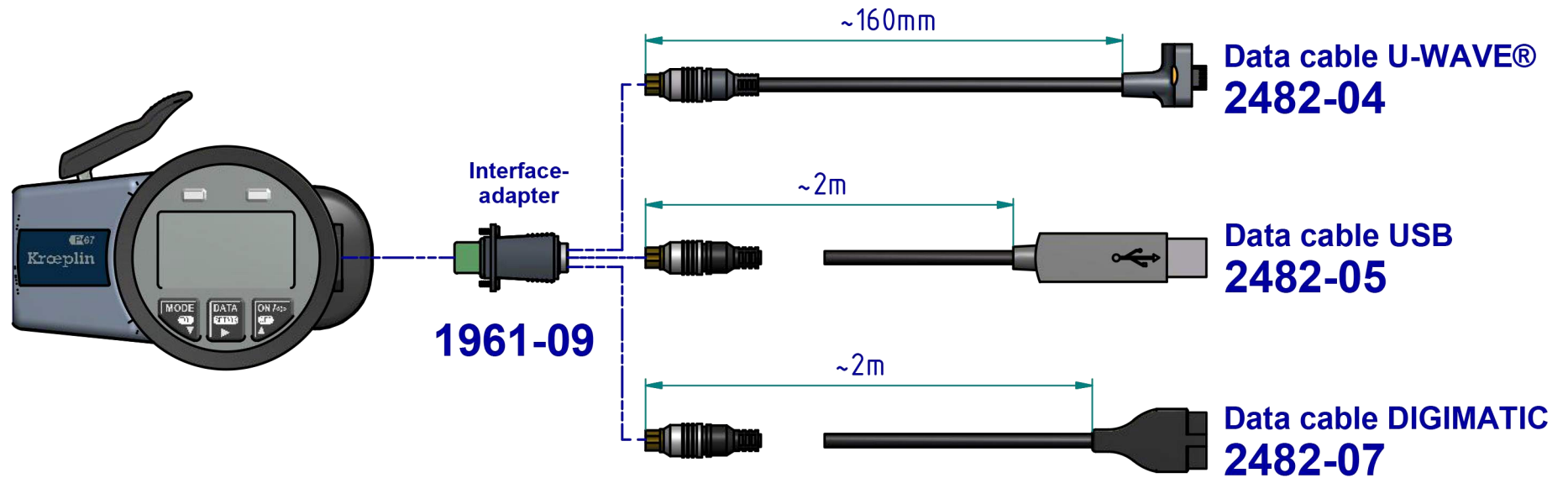
subject to technical alterations

type: E200
 range: 0 - 100 mm
 range of indication: 0 - 101 mm
 digital step: 0,05 mm
 scale interval:
 measuring force: 0,8 - 1,8 N
 weight: 660 g

acceptable deviations
 VDI/VDE/DGQ 2618 Bl. 12.1/13.1)
 max. permissible
 errors "G": 0,15 mm
 repeatability "r": 0,10 mm
 reference temperature: 20° C
 operation temperature: 10° C - 30° C
 storage temperature: -10° C - 50° C

scale: 1 : 2
 drawing-nr.: DAB-C8R100_KR_en
 date of issue: 12.04.2013
 name: Lange
 revision status: 2121 / MHe
 revision date: 26.08.2015

interface as accessories available:



subject to technical alterations

drawing-nr.:	DAB-C8R100_KR_en
date of issue:	12.04.2013
name:	Lange
revision status:	2121 / MHe
revision date:	26.08.2015