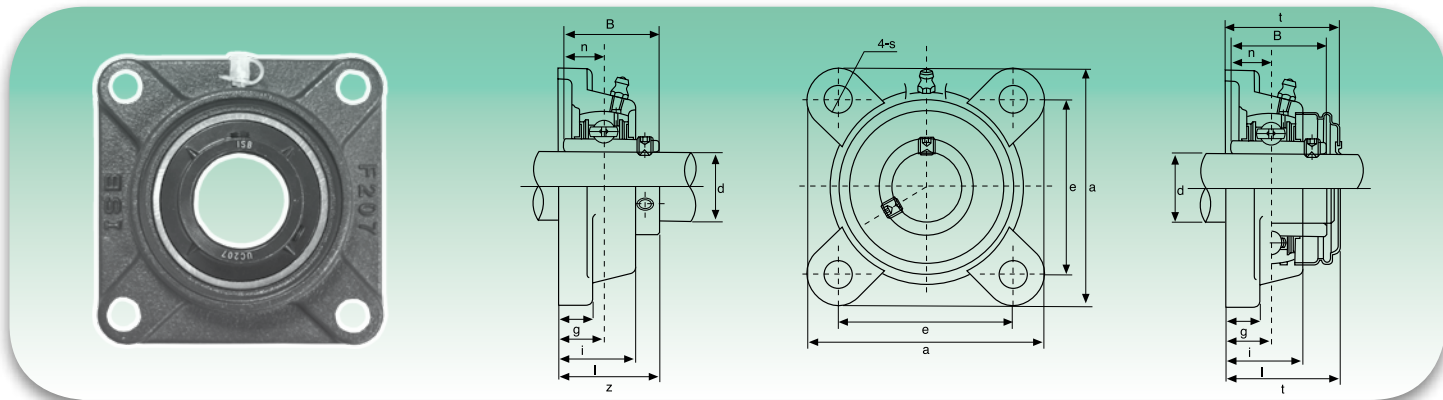




SUPPORTI A FLANGIA QUADRA - SQUARE BEARING UNITS

UCF2 Serie normale - Standard duty



Tipo Type	Dimensioni - Dimensions											Bull. fess. Bolt Size	Coefficients di carico (N) Load ratings (N)		Cuscinetto Bearing	Supporto Housing	Peso Weight	
	d	a	e	i	g	l	s	z	t	B	n		Dinamico C Dynamic C	Statico C ₀ Static C ₀				kg
	mm/inch												mm/inch					
UCF201	12	86	64	15	12	25,5	12	33,3	37,5	31	12,7	M10	12160	6318	UC201	F204	0,60	
UCF201-8	3/4	3 3/8	2 3/4	1 1/2	1 1/2	1	1 1/2	1 1/4	1 3/4	1,2205	0,500	3/8			UC201-8		0,59	
UCF202	15	86	64	15	12	25,5	12	33,3	37,5	31	12,7	M10	12160	6318	UC202	F204	0,59	
UCF202-9	9/16	3 3/8	2 3/4	1 1/2	1 1/2	1	1 1/2	1 1/4	1 3/4	1,2205	0,500	3/8			UC202-9		0,59	
UCF202-10	5/8														UC202-10		0,59	
UCF203	17	86	64	15	12	25,5	12	33,3	37,5	31	12,7	M10	12160	6318	UC203	F204	0,58	
UCF203-11	1 1/16	3 3/8	2 3/4	1 1/2	1 1/2	1	1 1/2	1 1/4	1 3/4	1,2205	0,500	3/8			UC203-11		0,57	
UCF204	20	86	64	15	12	25,5	12	33,3	37,5	31	12,7	M10	12160	6318	UC204	F204	0,56	
UCF204-12	3/4	3 3/8	2 3/4	1 1/2	1 1/2	1	1 1/2	1 1/4	1 3/4	1,2205	0,500	3/8			UC204-12		0,56	
UCF205	25	95	70	16	14	27	12	35,8	40	34,1	14,3	M10			UC205	F205	0,80	
UCF205-13	1 3/16												13300	7457	UC205-13		0,84	
UCF205-14	7/8	3 3/4	2 3/4	5/8	3 5/8	1 1/8	1 1/2	1 1/2	1 3/4	1,3425	0,563	3/8			UC205-14		0,83	
UCF205-15	1 1/16														UC205-15		0,81	
UCF205-16	1														UC205-16		0,80	
UCF206	30	108	83	18	14	31	12	40,2	44,5	38,1	15,9	M10			UC206	F206	1,12	
UCF206-17	1 1/16												18525	10735	UC206-17		1,15	
UCF206-18	1 1/8	4 1/4	3 1/4	4 5/8	3 5/8	1 7/8	1 5/8	1 1 3/8	1 3/4	1,5000	0,626	3/8			UC206-18		1,14	
UCF206-19	1 3/15														UC206-19		1,12	
UCF206-20	1 1/4														UC206-20		1,11	
UCF207	35	117	92	19	16	34	14	44,4	48,5	42,9	17,5	M12			UC207	F207	1,46	
UCF207-20	1 1/4												24415	14630	UC207-20		1,52	
UCF207-21	1 5/16	4 3/8	3 5/8	3/4	5/8	1 11/16	3 5/8	1 3/4	1 2 3/8	1,6890	0,689	7/16			UC207-21		1,49	
UCF207-22	1 3/8														UC207-22		1,46	
UCF207-23	1 1/16														UC207-23		1,43	
UCF208	40	130	102	21	16	36	16	51,2	55,5	49,2	19	M14			UC208	F208	1,84	
UCF208-24	1 1/2	5 1/8	4 1/4	5 3/8	5/8	1 2 7/8	5/8	2 1/4	2 3/8	1,9370	0,748	1/2	27645	16910	UC208-24		1,88	
UCF208-25	1 1/16														UC208-25		1,85	
UCF209	45	137	105	22	18	38	16	52,2	56,5	49,2	19	M14			UC209	F209	2,15	
UCF209-26	1 5/8												32395	20235	UC209-26		2,25	
UCF209-27	1 11/16	5 1/2	4 3/4	5 5/8	2 3/8	1 1/2	5/8	2 1/8	2 3/8	1,9370	0,748	1/2			UC209-27		2,21	
UCF209-28	1 3/4														UC209-28		2,17	
UCF210	50	143	111	22	18	40	16	54,6	59,5	51,6	19	M14			UC210	F210	2,42	
UCF210-29	1 13/16												33345	22135	UC210-29		2,54	
UCF210-30	1 7/8	5 5/8	4 3/8	5 5/8	2 3/8	1 1/8	5/8	2 5/8	2 11/8	2,0315	0,748	1/2			UC210-30		2,49	
UCF210-31	1 15/16														UC210-31		2,44	
UCF210-32	2														UC210-32		2,40	
UCF211	55	162	130	25	20	43	19	58,4	63	55,6	22,2	M16			UC211	F211	3,31	
UCF211-32	2												41230	27930	UC211-32		3,46	
UCF211-33	2 1/16	6 3/8	5 1/8	6 3/8	2 5/8	1 11/16	3/4	1 3/8	2 3/8	2,1890	0,874	5/8			UC211-33		3,40	
UCF211-34	2 1/8														UC211-34		3,35	
UCF211-35	2 3/16														UC211-35		3,29	
UCF212	60	175	143	29	20	48	19	68,7	73,5	65,1	25,4	M16			UC212	F212	4,28	
UCF212-36	2 1/4												49780	34390	UC212-36		4,41	
UCF212-37	2 5/16	6 5/8	5 5/8	1 5/8	2 5/8	1 5 7/8	3/4	2 4 5/8	2 5 7/8	2,5630	1,000	5/8			UC212-37		4,33	
UCF212-38	2 3/8														UC212-38		4,26	
UCF212-39	2 7/16														UC212-39		4,19	
UCF213	65	187	149	30	22	50	19	69,7	74,5	65,1	25,4	M16			UC213	F213	4,99	
UCF213-40	2 1/2	7 3/8	5 3/4	1 3/4	5 5/8	1 3 1/2	3/4	2 3/4	2 1 1/8	2,5630	1,000	5/8	54340	38095	UC213-40		5,08	
UCF213-41	2 9/16														UC213-41		4,99	
UCF214	70	193	152	31	22	54	19	75,4	81,5	74,6	30,2	M16			UC214	F214	5,85	
UCF214-42	2 5/8												59090	41895	UC214-42		6,06	
UCF214-43	2 11/16	7 1/2	5 3/4	1 7/8	5 5/8	2 1/8	3/4	2 1 1/2	3 3/8	2,9370	1,189	5/8			UC214-43		5,96	
UCF214-44	2 3/4														UC214-44		5,86	
UCF215	75	200	159	34	22	56	19	78,5	83,5	77,8	33,3	M16			UC215	F215	6,91	
UCF215-45	2 13/16												64030	45885	UC215-45		7,16	
UCF215-46	2 7/8	7 7/8	6 1 1/8	1 1 1/2	5 5/8	2 7/8	3/4	3 3/8	3 3/8	3,0630	1,311	5/8			UC215-46		7,05	
UCF215-47	2 15/16														UC215-47		6,94	
UCF215-48	3														UC215-48		6,82	
UCF216	80	208	165	34	22	58	23	83,3	88,5	82,6	33,3	M20			UC216	F216	7,50	
UCF216-49	3 1/16												69065	50350	UC216-49		7,68	
UCF216-50	3 3/8	8 3/8	6 1/2	1 1 1/2	5 5/8	2 5/8	2 5/8	3 3/8	3 3/8	3,2520	1,311	3/4			UC216-50		7,55	
UCF216-51	3 3/16														UC216-51		7,42	
UCF217	85	220	175	36	24	63	23	87,6	92,6	85,7	34,1	M20			UC217	F217	9,66	
UCF217-52	3 1/4												79800	58805	UC217-52		9,88	
UCF217-53	3 3/8	8 2 1/8	6 3/4	1 2 1/4	1 1/8	2 1 1/2	2 5/8	3 7/8	3 3/4	3,3740	1,343	3/4			UC217-53		9,74	
UCF217-55	3 1/16														UC217-55		9,45	
UCF218	90	235	187	40	24	68	23	96,3	101,5	96	39,7	M20			UC218	F218	12,06	
UCF218-56	3 1/2	9 1/4	7 3/8	1 3/4	1 1/8	2 1 1/8	2 5/8	3 2 3/8	4	3,7795	1,5630	3/4	91295	67925	UC218-56		12,17	

Disponibile in acciaio inox Supporto: AISI 304 - Cuscinetto: AISI 440C o 420C - Available stainless steel Housing: AISI 304 - Bearing: AISI 440C or 420C
 Disponibile su richiesta con cuscinetto SA (SAF.) - Available under request with SA bearing (SAF.)