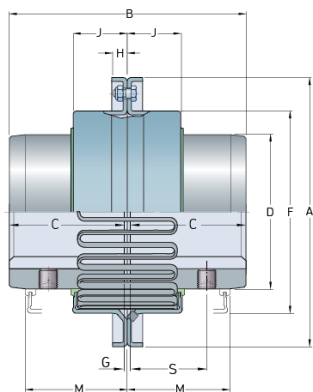


# PHE 1180TGVCOVER



Size	1180
Nominal torque (Nm)	103000
Max speed (r/min)	1400
Min. bore (mm)	152
Max. bore (mm)	311
Weight (kg)	42