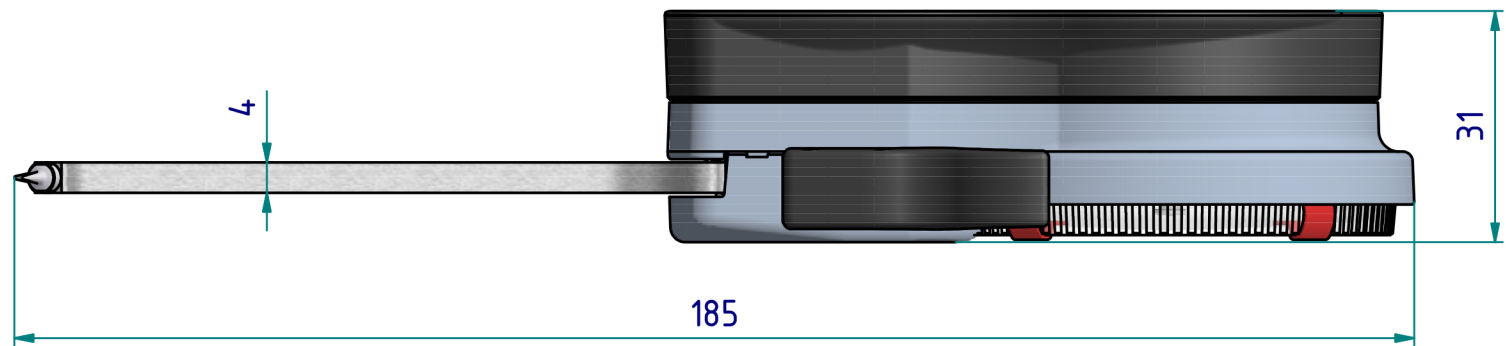
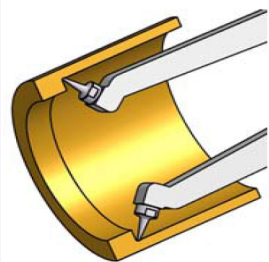
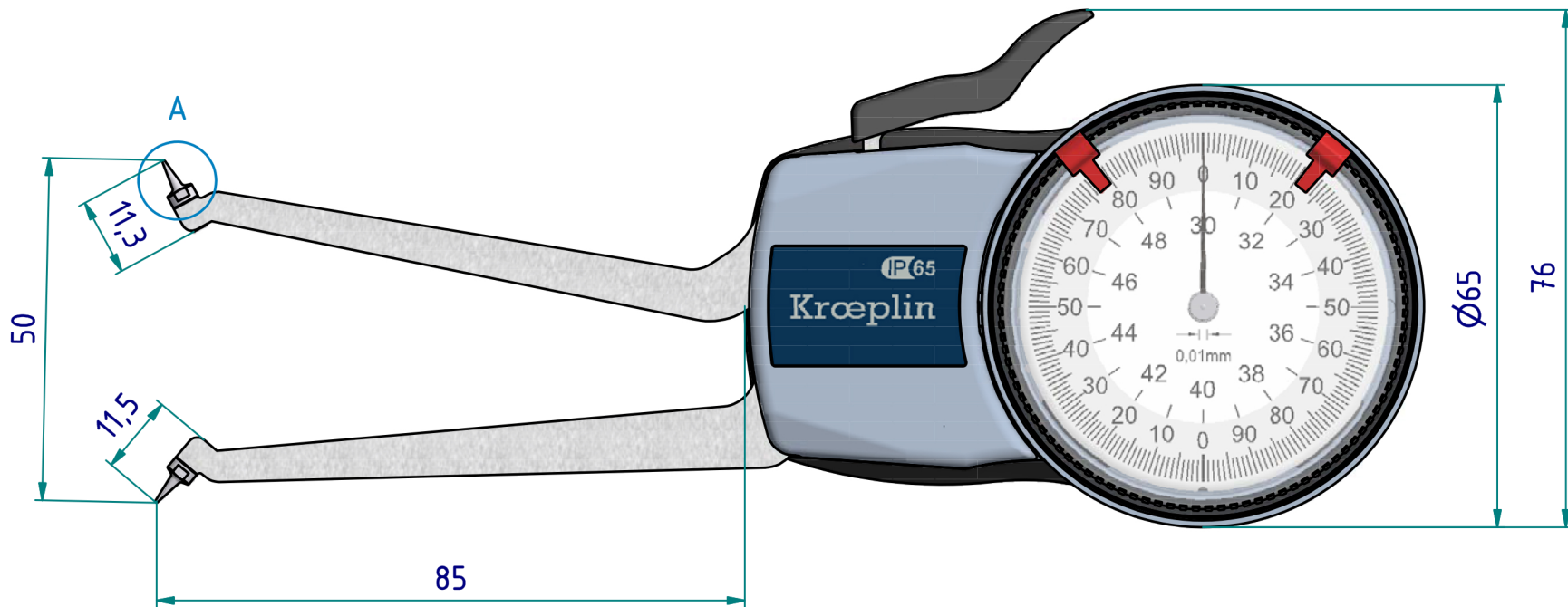
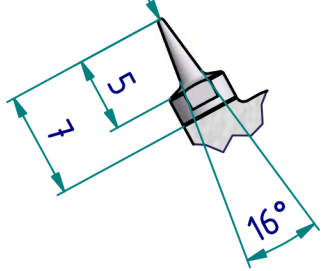


SR0,2
hardened
A (2 : 1)



subject to technical alterations

type:	H
range:	30 - 50 mm
range of indication:	29,5 - 50,5 mm
digital step:	-
scale interval:	0,01 mm
measuring force:	1,1 - 1,6 N
weight:	185 g

acceptable deviations VDI/VDE/DGQ 2618 Bl. 12.1/(13.1)	
max. permissible errors "G":	0,03 mm
repeatability "r":	0,01 mm
reference temperature:	20° C
operation temperature:	10° C - 30° C
storage temperature:	-10° C - 50° C

scale:	1:1
drawing-nr.:	DAB-H2G30_KR_e
date of issue:	08.01.09
name:	T.Koenig
revision status:	
revision date:	