

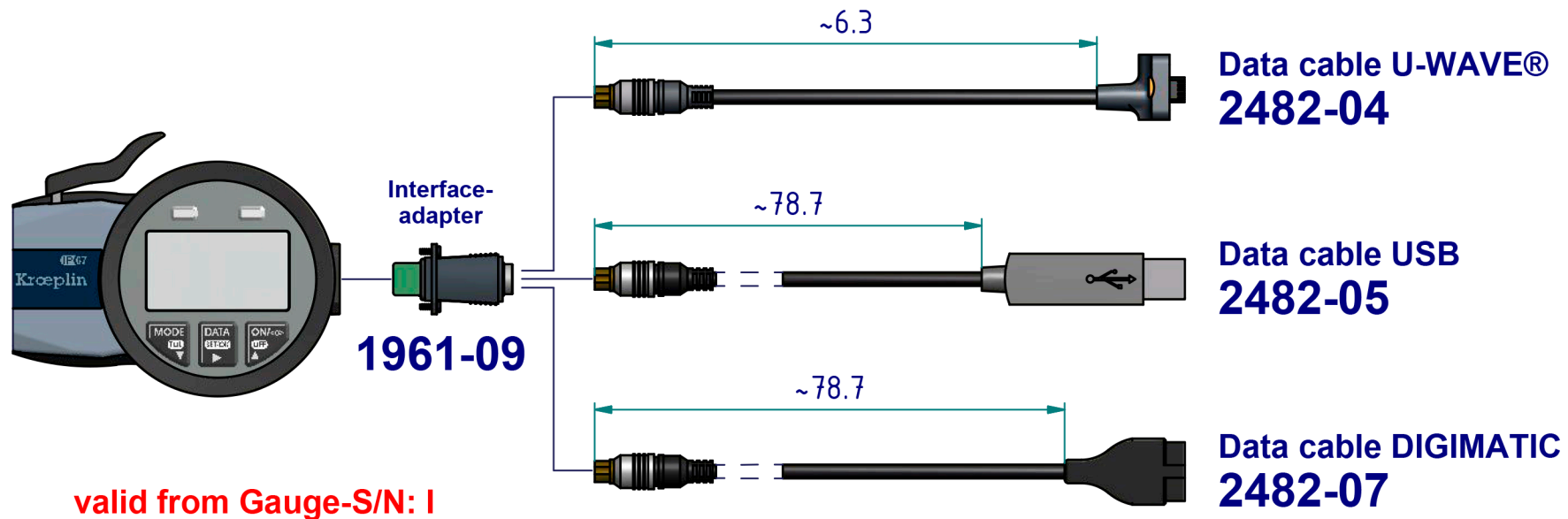
subject to technical alterations

type: C
range: 0 - .39 INCH
range of indication: 0 - .4134 INCH
digital step: .0002 INCH
scale interval: -
measuring force: 1,2 -1,6 N
weight: 240 g

acceptable deviations
 VDI/VDE/DGQ 2618 Bl. 12.1/13.1)
max. permissible errors "G": .0008 INCH
repeatability "r": .0002 INCH
reference temperature: 20° C
operation temperature: 10° C - 30° C
storage temperature: -10° C - 50° C

scale: 1:1
drawing-nr.: DAB-C110_KR_I
date of issue: 18.12.08
name: M. Balzer
revision status: 2000
revision date: 04.09.2012

Interface as accessories available:



valid from Gauge-S/N: I
Always specify serial number
when ordering Interfaces or accessories!

subject to technical alterations

drawing-nr.:	DAB-C110_KR_I
date of issue:	18.12.08
name:	M. Balzer
revision status:	2043
revision date:	27.02.12