



**N** DIN 862 (Style 1AR)

≤ 100 mm = 20 μm  
 >100 mm = 30 μm

Gear mechanism made of hardened, ground steel

Hardened stainless steel

Plastic storage case

Inspection report with a declaration of conformity

**No** Serial number identification

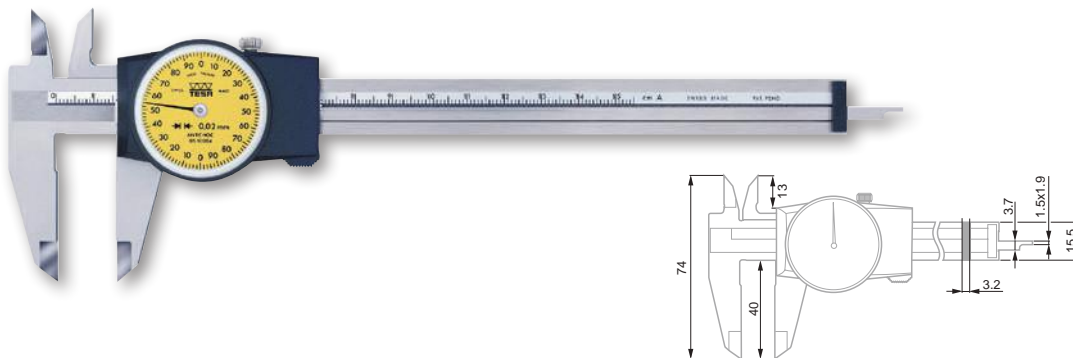
32 mm diameter rotating dial with lock

**A** Slider with plastic dial housing and locking screw

Patented shockproof design

### TESA CCMA-P Models

Quick and easy to read – Slider with plastic dial housing.



<b>No</b>								
00510004	0 ÷ 150 mm	0,02 mm	2 mm	Without thumb wheel				
00520001	0 ÷ 6 in	0.001 in	0.1 in	Without thumb wheel				
<b>OPTIONAL ACCESSORY:</b>								
00560013	Depth foot for calipers up to 150 mm							



**N** DIN 862 (Style 1AR)

≤ 100 mm = 20 μm  
 >100 mm = 30 μm

Gear mechanism made of hardened, ground steel

Hardened stainless steel

Plastic storage case

Inspection report with a declaration of conformity

**No** Serial number identification

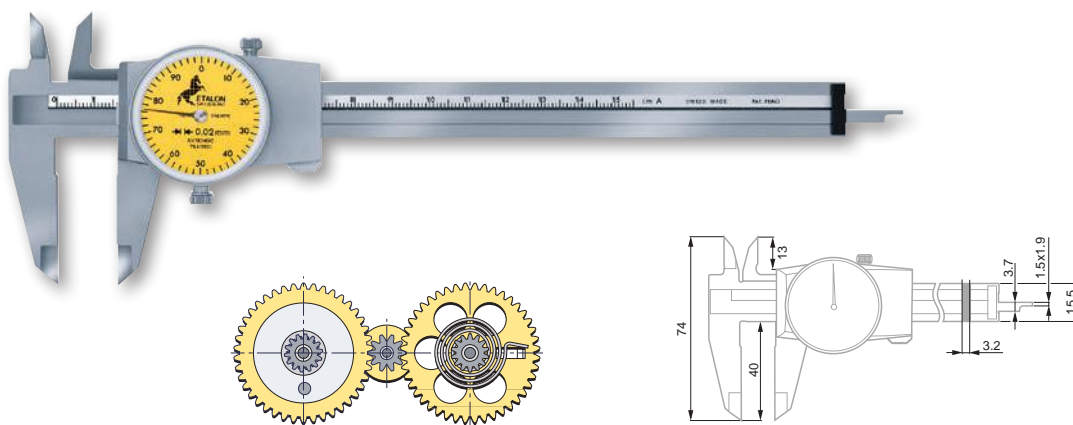
32 mm diameter rotating dial with lock

**A** Slider with locking screw

Patented shockproof design

### ETALON 125 Model

Slider with metal dial housing – 1 mm travel per dial revolution.



<b>No</b>								
075115821	0 ÷ 150 mm	0,02 mm	1 mm	Without thumb wheel				
<b>OPTIONAL ACCESSORY:</b>								
00560013	Depth foot for calipers up to 150 mm							

