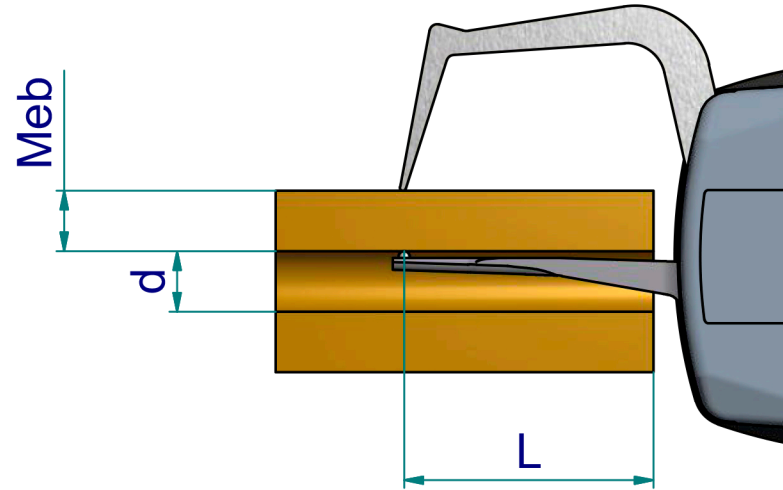


subject to technical alterations

type: C
range: 0 - .39 INCH
range of indication: 0 - .4134 INCH
digital step: .0002 INCH
scale interval: -
measuring force: 1,2 -1,6 N
weight: 240 g

acceptable deviations
 VDI/VDE/DGQ 2618 Bl. 12.1/13.1)
max. permissible errors "G": .0008 INCH
repeatability "r": .0002 INCH
reference temperature: 20° C
operation temperature: 10° C - 30° C
storage temperature: -10° C - 50° C

scale: 1:1
drawing-nr.: DAB-C1R10S_KR_I
date of issue: 06.01.09
name: M. Balzer
revision status: 2000
revision date: 06.09.2012



measuring capacity

measuring range Meb [inch]

Internal diameter d [inch]

	.04	.08	.12	.16	.20	.24	.28	.31	.35	.39
.10	.16	.14	.14	.15	.17	.19	.21	.25	.31	.42
.20	.75	.67	.67	.70	.76	.82	.85	.89	.93	.98
.20	.97	.94	.94	.95	.98	1.01	1.06	1.10	1.15	1.22
.20	1.16	1.12	1.12	1.14	1.17	1.21	1.26	1.31	1.38	1.40
.30	1.35	1.30	1.30	1.32	1.36	1.40	1.40	1.40	1.40	1.40
.30	1.40	1.40	1.40	1.40	1.40	1.40	1.40	1.40	1.40	1.40
.40	1.40	1.40	1.40	1.40	1.40	1.40	1.40	1.40	1.40	1.40
.40	1.40	1.40	1.40	1.40	1.40	1.40	1.40	1.40	1.40	1.40
L										

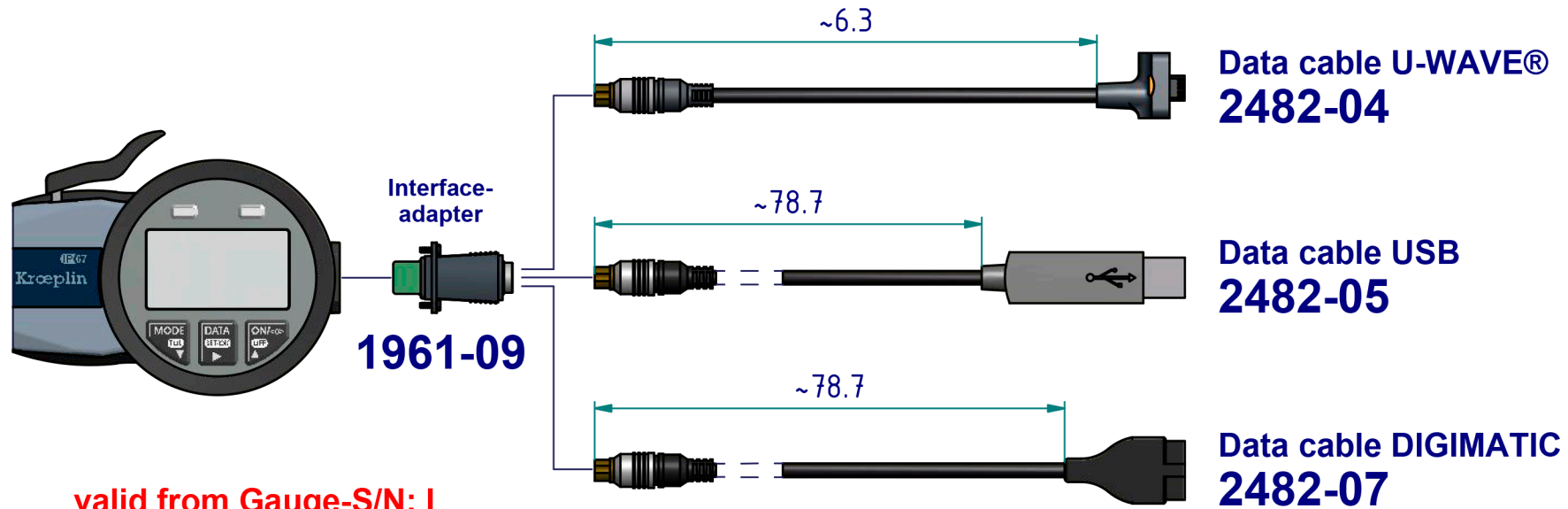
L = maximum usable arm length [inch]

Example:
d = .20 Meb = .16 L = .95

subject to technical alterations

drawing-nr.:	DAB-C1R10S_KR_I
date of issue:	06.01.09
name:	M. Balzer
revision status:	
revision date:	

interface as accessories available:



valid from Gauge-S/N: I
Always specify serial number
when ordering Interfaces or accessories!

subject to technical alterations

drawing-nr.:	DAB-C1R10S_KR_I
date of issue:	06.01.09
name:	M. Balzer
revision status:	2043
revision date:	27.02.12