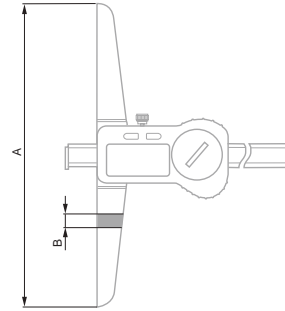
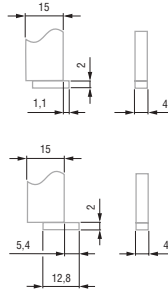
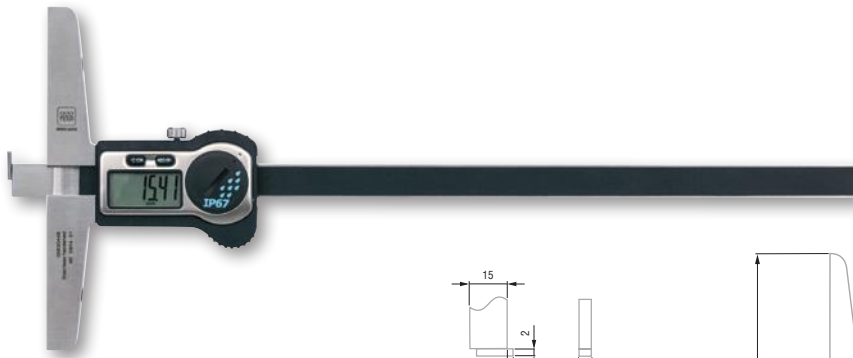


TWIN-CAL IP67 – Models with Rotary Stop Plate

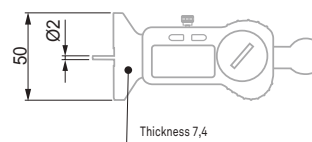


No	mm	in	A mm	B mm
00530448	250	10	100	8,5
00530449	350	14	100	8,5
00530450	500	20	150	8,5

OPTIONAL ACCESSORIES:

01961000	Lithium battery, 3V, CR2032
04760180	TESA TLC-TWIN wireless emitter-receiver Compatible with any instrument fitted with a TLC – TESA Link Connector
04760181	TESA TLC-USB cable for instruments with a TLC connector
04760182	TLC-DIGIMATIC cable for instruments with a TLC connector
00560103	Removable bridge 200 mm
00560104	Removable bridge 300 mm
00560105	Removable bridge 400 mm

TWIN-CAL IP67 – Small Sized Model with Steel Measuring Tip



No	mm	in
00530451	25	1

OPTIONAL ACCESSORIES:

01961000	Lithium battery, 3V, CR2032
04760180	TESA TLC-TWIN wireless emitter-receiver Compatible with any instrument fitted with a TLC – TESA Link Connector
04760181	TESA TLC-USB cable for instruments with a TLC connector
04760182	TLC-DIGIMATIC cable for instruments with a TLC connector

- ISO 13385-1
- 0,01 mm / 0.0005 in
- LCD, 11 mm
- Floating zero
- Metric / in conversion
- L ≤ 100 mm: 20 µm
100 < L ≤ 600 mm: 30 µm
600 < L ≤ 1000 mm: 40 µm
- 10 µm
- Scale with incremental divisions, inductive
- 2,5 m/s
- TLC Connectivity
- Stainless steel
- 3V lithium battery, CR2032
- 12.000 hours
- Standby mode after 10 minutes, instrument retains the zero position. Automatic shut off after 2 hours, instrument retains the zero in ABS mode, but the zero must be reset if the instrument is in DIFF mode.
- 10°C to 60°C
- 10°C to 40°C
- 100 %
- IP67
- 1907/2006/CE
2004/108/CE
2002/96/CE
- Plastic storage box
- Inspection report with declaration of conformity
- Serial number identification