

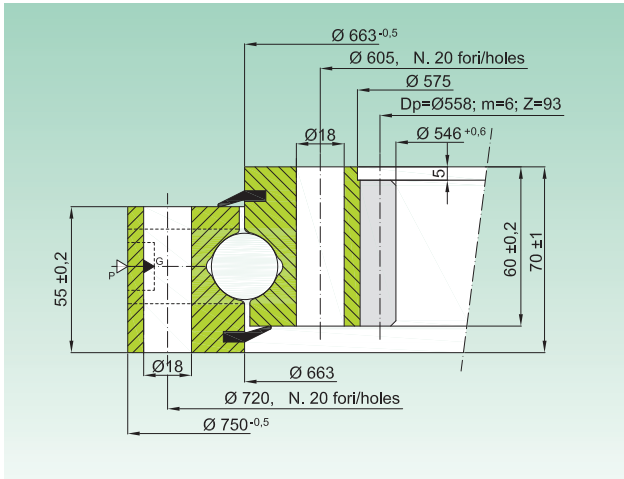


ZB1 STOCK

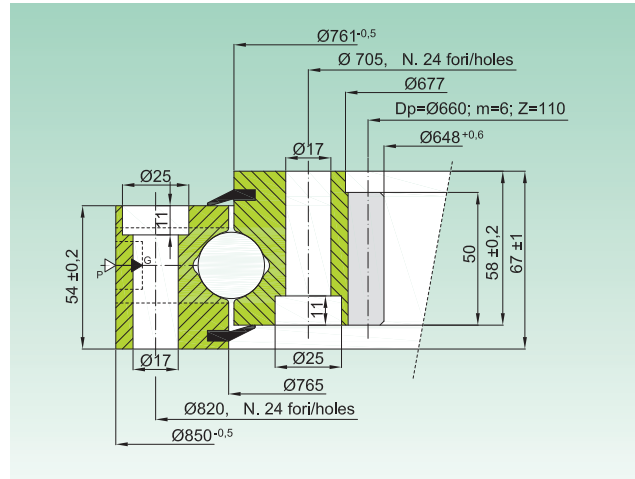
SERIE STANDARD

STANDARD SERIES

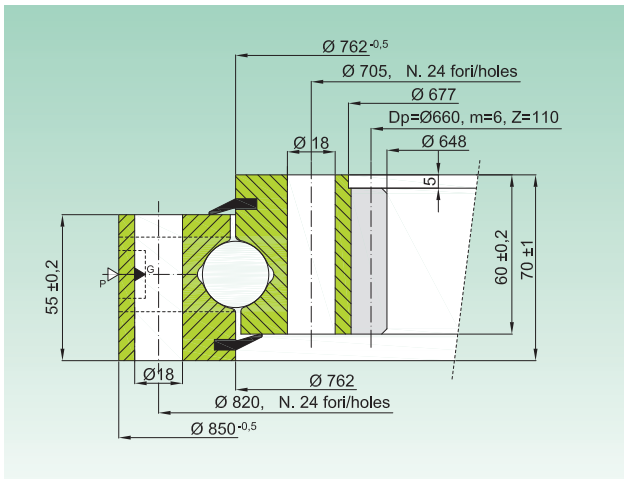
ZB1.25.0663.201-1SPPN



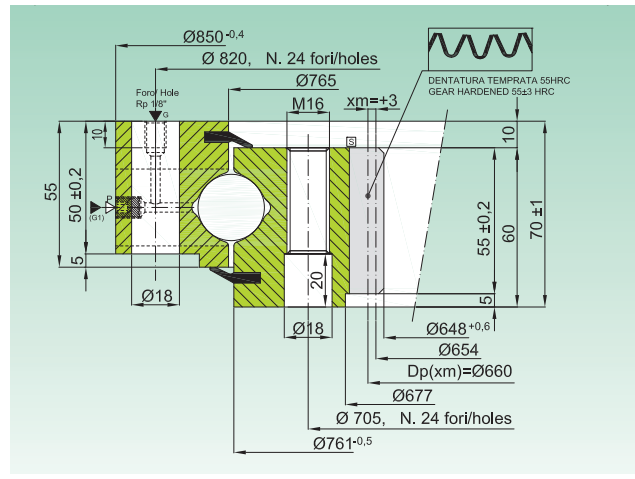
ZB1.25.0763.200-1SPPN



ZB1.25.0762.200-1SPPN



ZB1.25.0763.202-1RPTN



Codice Code	Curva Curve	Materiale Material	Dentatura Gear data		Peso Weight [Kg]
			fz nor [kN]	fz max [kN]	
ZB1.25.0663.201-1SPPN	9	C45 Q+T	19,5	39,0	76
ZB1.25.0763.200-1SPPN	10	C45 Q+T	19,5	39,0	85
ZB1.25.0762.200-1SPPN	10	C45 Q+T	19,5	39,0	91
ZB1.25.0763.202-1RPTN	10	C45 Q+T	25,0	50,0	85

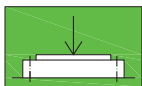
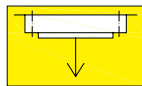


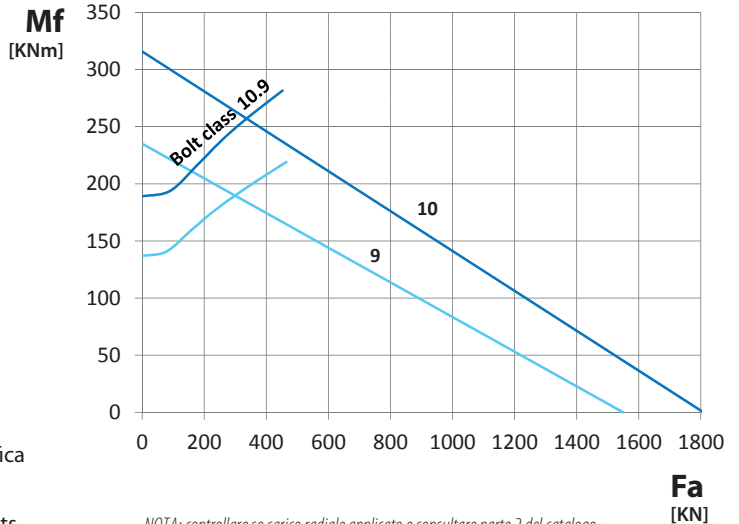
Diagramma di carico statico valido per sforzi compressivi

Static load charts valid for compressive loads



Carico sospeso: occorre verifica specifica della bulloneria

Suspended load: specific bolts calculation required



NOTA: controllare se carico radiale applicato e consultare parte 2 del catalogo
NOTE: check if radial load applied and consult part 2 of the catalogue