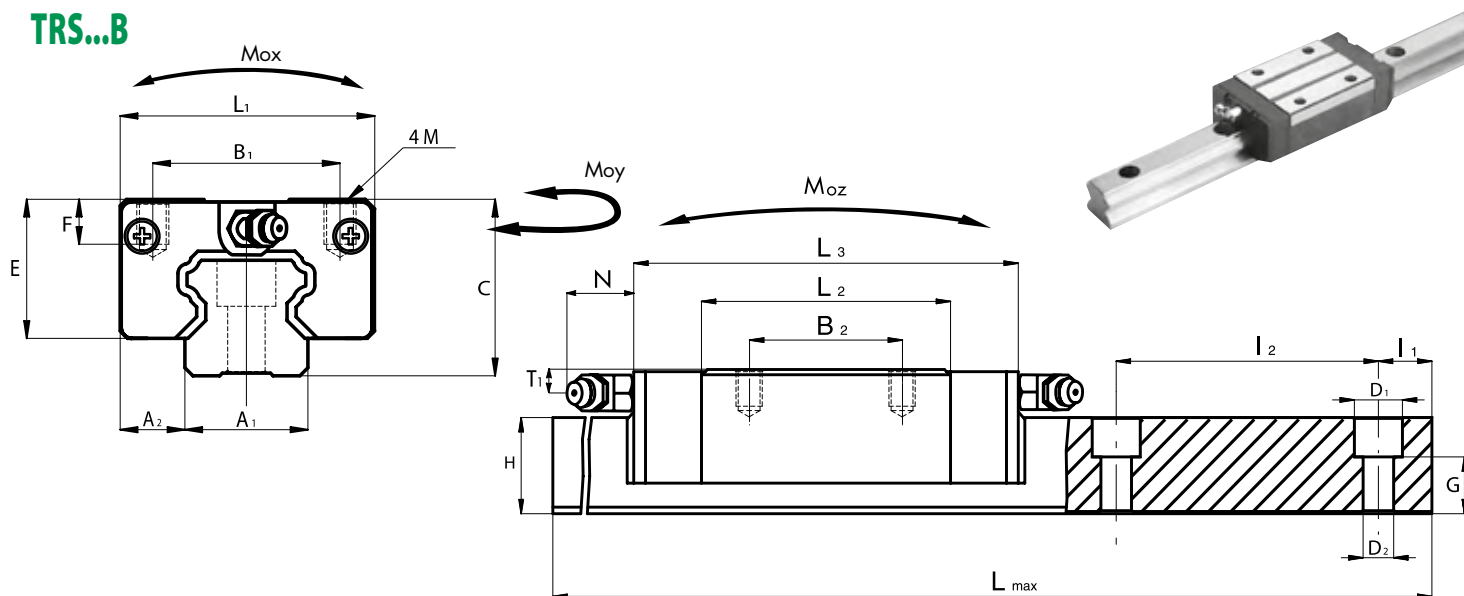



GUIDE LINEARI ISB AS - ISB AS LINEAR GUIDES
TRS...B

DIMENSIONI / DIMENSIONS

CARRELLO BLOCK	DIMENSIONI / DIMENSIONS															
	Guida Rail	Tappo fori guida Rail holes cap	A ₁ [mm]	A ₂ [mm]	B ₁ [mm]	B ₂ [mm]	M [mm]	C [mm]	E [mm]	F [mm]	H [mm]	(1) I ₁ [mm]	I ₂ [mm]	L ₁ [mm]	L ₂ [mm]	L ₃ [mm]
TRS15B	BR15	C15	15	9.5	26	26	M 4x5.6	24	19.4	5.6	14	20	60	34	40	66
TRS20B	BR20	C20	20	11	32	32	M 5x7	28	23	7	18	20	60	42	48.8	77.8
TRS25B	BR25	C25	23	12.5	35	35	M 6x8.4	33	26	8.4	22	20	60	48	57	88
TRS30B	BR30	C30	28	16	40	40	M 8x11.2	42	33	11.2	26	20	80	60	72	109
TRS35B	BR35	C35	34	18	50	50	M 8x11.2	48	38.5	11.2	29	20	80	70	80	119
TRS45B	BR45	C45	45	20.5	60	60	M 10x14	60	46	14	38	22.5	105	86	105	148.2
TRS55B	BR55	C55	53	23.5	75	75	M 12x15	68	53	15	38	30	120	100	121	170

DIMENSIONI / DIMENSIONS
**CARATTERISTICHE MECCANICHE
MECHANICAL CHARACTERISTICS**
**PESO
WEIGHT**

CARRELLO BLOCK	DIMENSIONI / DIMENSIONS									CARATTERISTICHE MECCANICHE MECHANICAL CHARACTERISTICS					PESO WEIGHT	
	Guida Rail	Tappo fori guida Rail holes cap	Foro lub. Oil hole [mm]	T1 [mm]	N [mm]	D ₁ [mm]	D ₂ [mm]	G [mm]	L _{max} [mm]	C ₀ [kN]	C [kN]	M _{0x} [Nxm]	M _{0y} [Nxm]	M _{0z} [Nxm]	Pattino Block [kg]	Rotaia Rail [kg/m]
TRS15B	BR15	C15	∅3	4.3	5.3	7.5	4.5	8.7	4000	12.7	6.85	70	50	50	0.17	1.4
TRS20B	BR20	C20	M6x1	5	16.6	9.5	6	9.5	4000	25.6	14.5	220	180	180	0.26	2.6
TRS25B	BR25	C25	M6x1	4.8	16.6	11	7	13	4000	40	21.4	360	320	310	0.38	3.6
TRS30B	BR30	C30	M6x1	7	16.6	14	9	14	4000	54.9	29.8	600	500	490	0.81	5.2
TRS35B	BR35	C35	M6x1	8	16.6	14	9	17	4000	70.1	39.6	960	750	730	1.2	7.2
TRS45B	BR45	C45	M8x1	8.5	16.6	20	14	21	4000	121	67.4	2160	1700	1680	2.1	12.3
TRS55B	BR55	C55	M8x1	8	16.6	23	16	24	4000	171	99.4	3670	2930	2880	3.6	16.9

(1) Misura consigliata. Altre misure a richiesta. In mancanza di specifica indicazione la misura I1 sarà uguale per entrambe le estremità.

(1) Suggested dimension. Other dimensions on request. With no specific request, the I1 values on both ends will be the same.