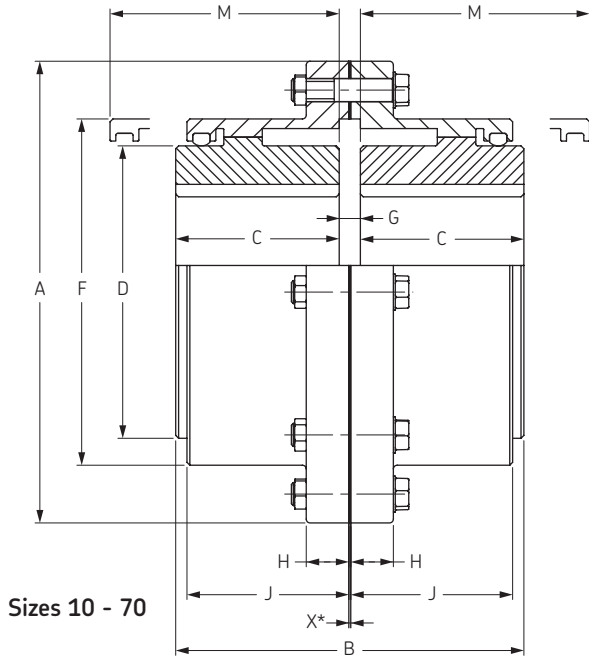




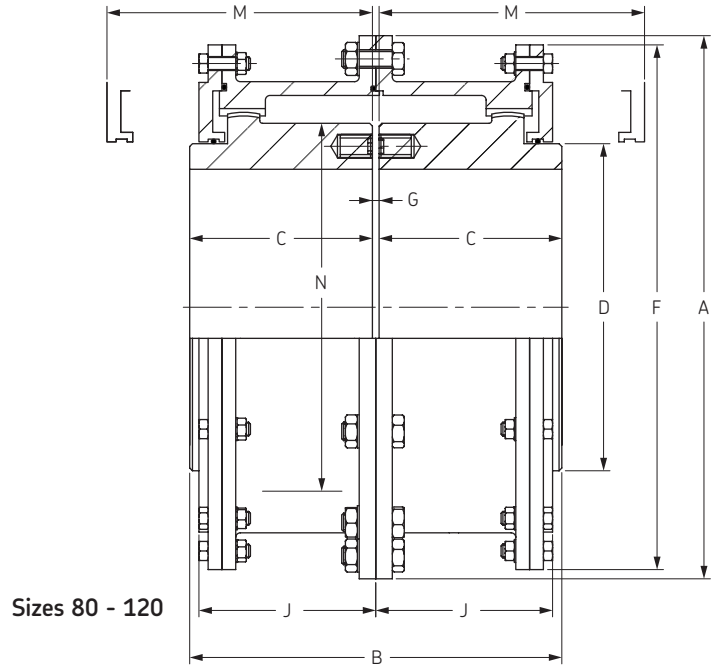
Gear coupling

Double engagement

- ▶ Belts
- ▶ Chains
- ▶ Couplings
- ▶ Bushings and Hubs
- ▶ Sprockets
- ▶ Pulleys
- ▶ Smart tools



Sizes 10 - 70



Sizes 80 - 120

Designations

Size	Hub Designations	Cover Designations	Assembly kit
10	PHE 10GCRSB	PHE 10GCCOVER	PHE 10GCKIT
15	PHE 15GCRSB	PHE 15GCCOVER	PHE 15GCKIT
20	PHE 20GCRSB	PHE 20GCCOVER	PHE 20GCKIT
25	PHE 25GCRSB	PHE 25GCCOVER	PHE 25GCKIT
30	PHE 30GCRSB	PHE 30GCCOVER	PHE 30GCKIT
35	PHE 35GCRSB	PHE 35GCCOVER	PHE 35GCKIT
40	PHE 40GCRSB	PHE 40GCCOVER	PHE 40GCKIT
45	PHE 45GCRSB	PHE 45GCCOVER	PHE 45GCKIT
50	PHE 50GCRSB	PHE 50GCCOVER	PHE 50GCKIT
55	PHE 55GCRSB	PHE 55GCCOVER	PHE 55GCKIT
60	PHE 60GCRSB	PHE 60GCCOVER	PHE 60GCKIT
70	PHE 70GCRSB	PHE 70GCCOVER	PHE 70GCKIT
80	PHE 80GCRSB	PHE 80GCCOVER	PHE 80GCKIT
90	PHE 90GCRSB	PHE 90GCCOVER	PHE 90GCKIT
100	PHE 100GCRSB	PHE 100GCCOVER	PHE 100GCKIT
110	PHE 110GCRSB	PHE 110GCCOVER	PHE 110GCKIT
120	PHE 120GCRSB	PHE 120GCCOVER	PHE 120GCKIT

The assembly kit includes oil seals, gasket, bolts and lock-nuts.

A complete coupling consists of:

2 hubs, 2 covers and 1 assembly kit.

Physical characteristics

Size	KW per 100 rpm	Rated torque	Max speed	Bore Diameter		Dimensions (mm)								Coupling weight kg	Lubricant weight kg
		Nm	rpm	Min	Max	A	B	C	D	F	J	G	M		
10	9	844	8000	13	48	116	89	43	69	84	39	3	51	5	0,04
15	20	1893	6500	19	60	152	101	49	86	105	48	3	61	9	0,07
20	37	3512	5600	25	73	178	127	62	105	126	59	3	76	16	0,12
25	67	6318	5000	32	92	213	159	77	131	155	72	5	91	29	0,23
30	112	10536	4400	38	105	240	187	91	152	180	84	5	107	43	0,36
35	172	16157	3900	51	124	279	218	106	178	211	98	6	130	68	0,54
40	261	24594	3600	64	146	318	248	121	210	245	111	6	145	97	0,91
45	358	33717	3200	76	165	346	278	135	235	274	123	8	165	136	1,04
50	485	45666	2900	89	178	389	314	153	254	306	141	8	183	190	1,77
55	634	59723	2650	102	197	425	344	168	279	334	158	8	203	249	2,22
60	821	77283	2450	114	222	457	384	188	305	366	169	8	229	306	3,18
70	1194	112413	2150	89	254	527	452	221	343	425	196	10	267	485	4,35
80	1567	147542	1750	102	279	591	508	249	356	572	243	10	300	703	9,53
90	2126	200242	1550	114	305	660	565	276	394	641	265	13	327	984	12,25
100	2984	281037	1450	127	343	711	623	305	445	699	294	13	356	1302	14,97
110	4103	386426	1330	140	387	775	679	333	495	749	322	13	384	1678	17,69
120	5222	491815	1200	152	425	838	719	353	546	826	341	13	403	2114	20,87

X* represents space taken by the gasket