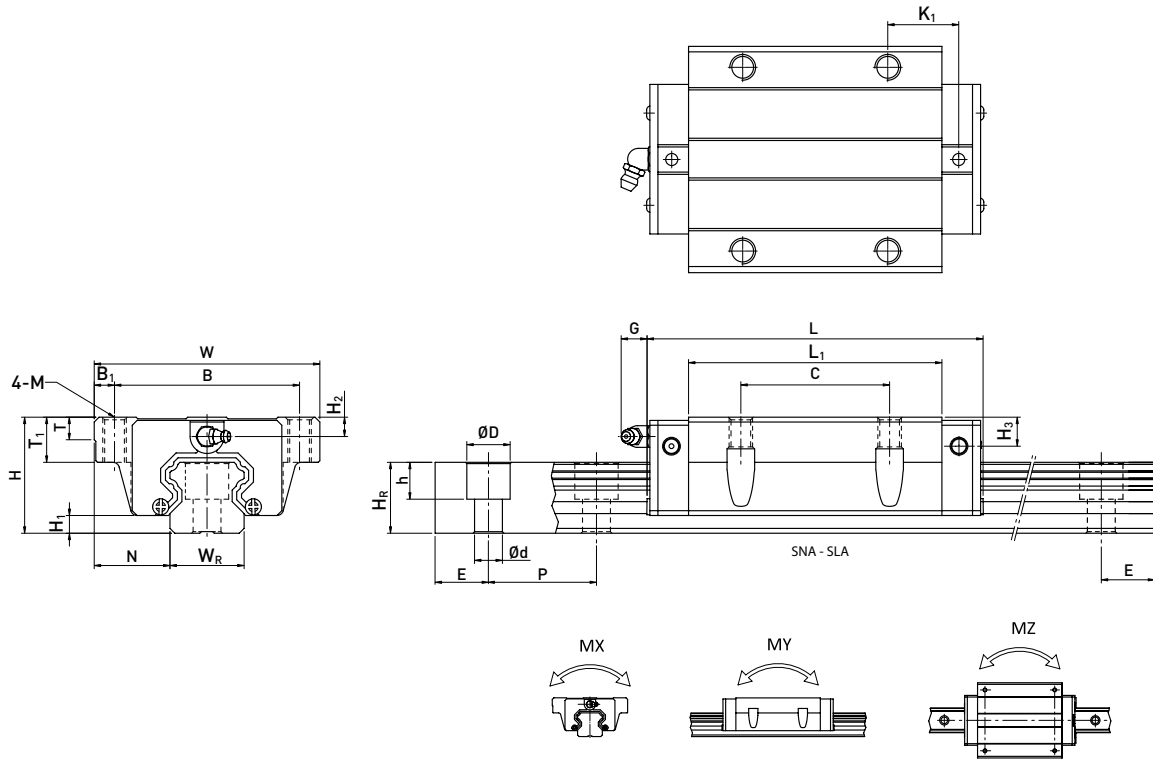


SNA-SLA



Carrello Model No.	Dimensioni assemblato Dimensions of Assembly (mm)							Dimensioni carrello Dimensions of Block (mm)										Dimensioni rotaia Dimensions of Rail (mm)						Viti di fissaggio Mounting Bolt for Rail (mm)	Capacità di carico dinamica Basic Dynamic Load Rating C(kN)	Capacità di carico statica Basic Static Load Rating C ₀ (kN)	Momento statico Static Rated Moment			Peso Weight		
	H	H ₁	N	W	B	B ₁	C	L ₁	L	K ₁	G	M	T	T ₁	T ₂	H ₂	H ₃	W _R	H _R	D	h	d	P				E	(mm)	C(kN)	C ₀ (kN)	MX KN-m	MY KN-m
SNA 15	24	4.3	16	47	38	4.5	30	39.4	61.4	8	5.3	M5	6	8.9	6.95	3.95	3.7	15	15	7.5	5.3	4.5	60	20	M4x16	11.38	16.97	0.12	0.10	0.10	0.17	1.45
SNA 20	30	4.6	21.5	63	53	5	40	50.5	77.5	10.25	12	M6	8	10	9.5	6	6	20	17.5	9.5	8.5	6	60	20	M5x16	17.75	27.76	0.27	0.20	0.20	0.40	2.21
SLA 20								65.2	92.2	17.6																21.18	35.9	0.35	0.35	0.35	0.52	
SNA 25	36	5.5	23.5	70	57	6.5	45	58	84	10.7	12	M8	8	14	10	6	5	23	22	11	9	7	60	20	M6x20	26.48	36.49	0.42	0.33	0.33	0.59	3.21
SLA 25								78.6	104.6	21																32.75	49.44	0.56	0.57	0.57	0.80	
SNA 30	42	6	31	90	72	9	52	70	97.4	14.25	12	M10	8.5	16	10	6.5	10.8	28	26	14	12	9	80	20	M8x25	38.74	52.19	0.66	0.53	0.53	1.09	4.47
SLA 30								93	120.4	25.75																47.27	69.16	0.88	0.92	0.92	1.44	
SNA 35	48	7.5	33	100	82	9	62	80	112.4	14.6	12	M10	10.1	18	13	9	12.6	34	29	14	12	9	80	20	M8x25	49.52	69.16	1.16	0.81	0.81	1.56	6.30
SLA 35	48	7.5	33	100	82	9	62	105.8	138.2	27.5	12	M10	10.1	18	13	9	12.6	34	29	14	12	9	80	20	M8x25	60.21	136.31	2.29	2.08	2.08	2.06	6.30
SNA 45	60	9.5	37.5	120	100	10	80	97	139.4	13	12.9	M12	15.1	22	15	8.5	20.5	45	38	20	17	14	105	22.5	M12x35	77.57	102.71	1.98	1.55	1.55	2.79	10.41
SLA 45	60	.95	37.5	120	100	10	80	128.8	171.2	28.9	12.9	M12	15.1	22	15	8.5	20.5	45	38	20	17	14	105	22.5	M12x35	94.54	207.12	4.00	4.07	4.07	3.69	10.41