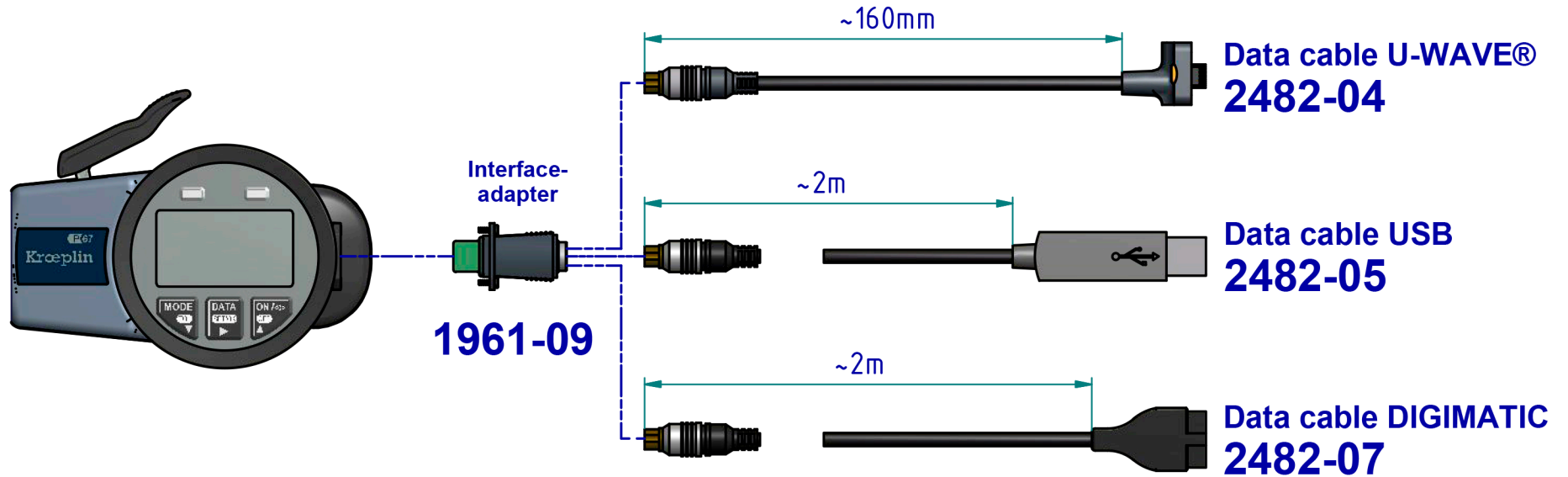
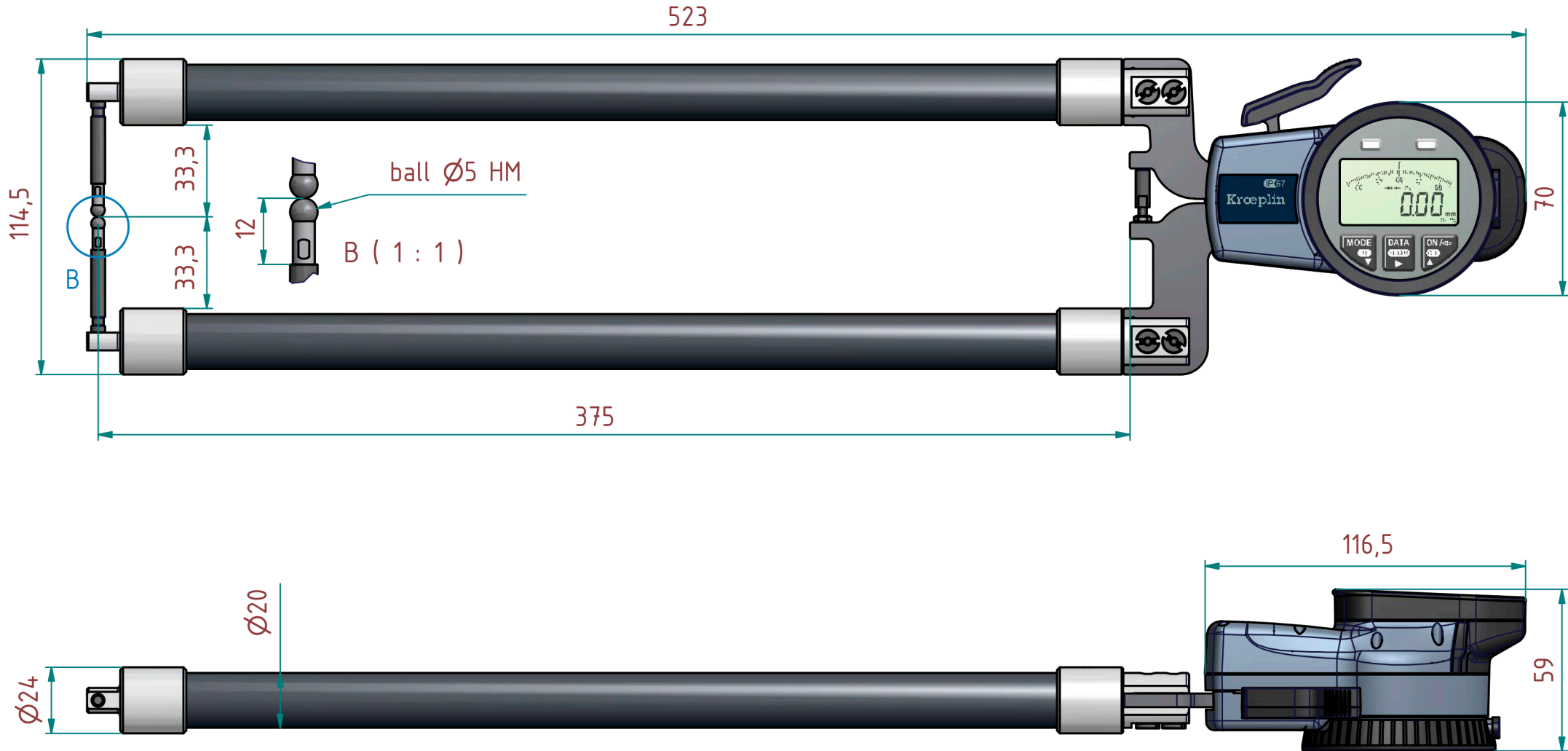


interface as accessories available:



subject to technical alterations

drawing-nr.:	DAB-C8100_KR_en
date of issue:	12.04.2013
name:	Lange
revision status:	2121
revision date:	26.08.2015



subject to technical alterations

**type:** E200  
**range:** 0 - 100 mm  
**range of indication:** 0 - 101 mm  
**digital step:** 0,05 mm  
**scale interval:**  
**measuring force:** 0,8 - 1,8 N  
**weight:** 660 g

acceptable deviations  
 VDI/VDE/DGQ 2618 Bl. 12.1/13.1)  
**max. permissible errors "G":** 0,15 mm  
**repeatability "r":** 0,10 mm  
**reference temperature:** 20° C  
**operation temperature:** 10° C - 30° C  
**storage temperature:** -10° C - 50° C

**scale:** 1 : 2  
**drawing-nr.:** DAB-C8100\_KR\_en  
**date of issue:** 12.04.2013  
**name:** Lange  
**revision status:** 2121 / MHe  
**revision date:** 26.08.2015