

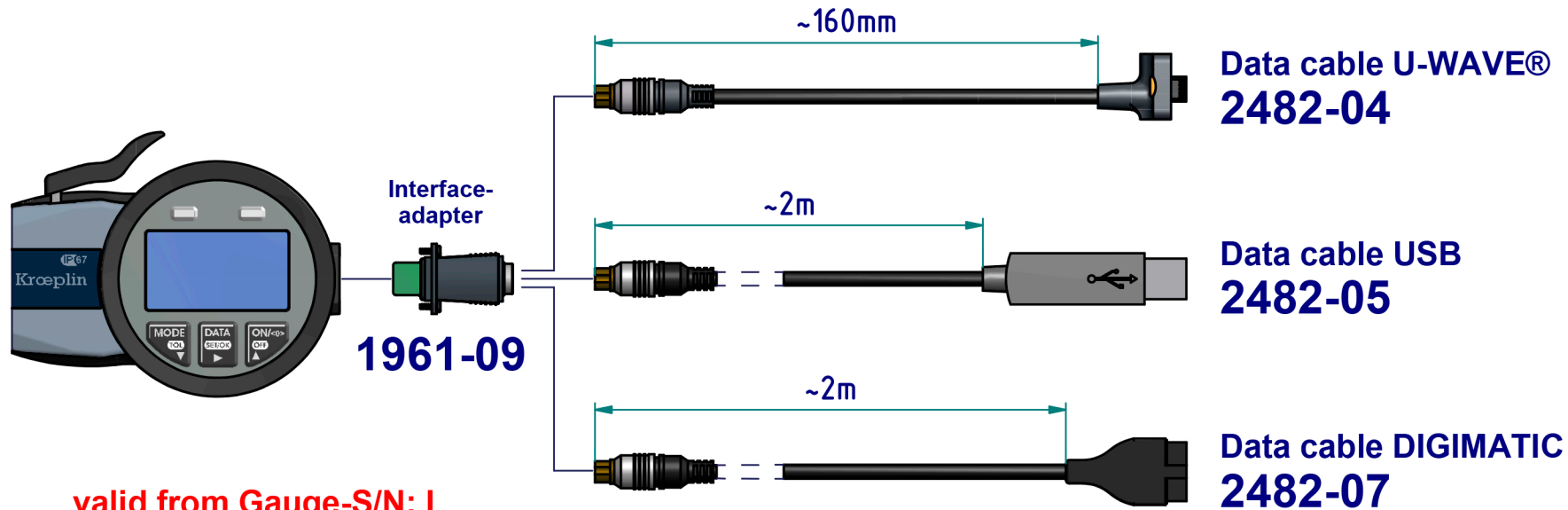
subject to technical alterations

type: AEROSOL  
 range: 25 - 29 mm  
 range of indication: 24,5 - 29,5 mm  
 digital step: 0,01 mm  
 scale interval: -  
 measuring force: 1,9-2,2 N  
 weight: 230 g

acceptable deviations  
 VDI/VDE/DGQ 2618 Bl. 12.1/13.1)  
 max. permissible errors "G": 0,02 mm  
 repeatability "r": 0,01 mm  
 reference temperature: 20° C  
 operation temperature: 10° C - 30° C  
 storage temperature: -10° C - 50° C

scale: 1:1  
 drawing-nr.: IDW-AE2100-DB\_e  
 date of issue: 26.01.09  
 name: M.Heil  
 revision status: 001  
 revision date: 17.07.2012

interface as accessories available:



**valid from Gauge-S/N: I**  
**Always specify serial number**  
**when ordering Interfaces or accessories!**

subject to technical alterations

drawing-nr.:	DAB-AE2100_DB_e
date of issue:	11.04.13
name:	T.König
revision status:	
revision date:	