

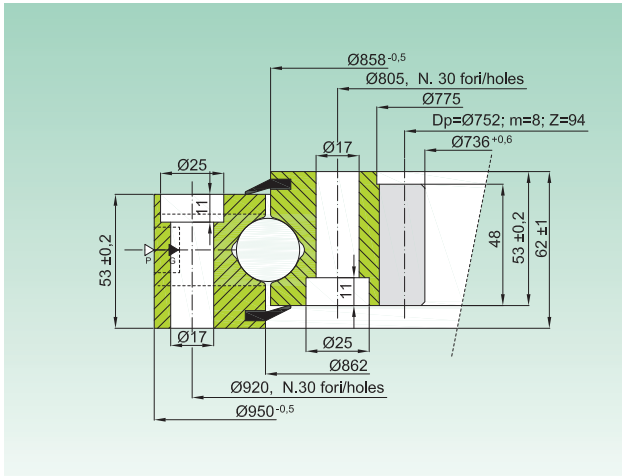


# ZB1 STOCK

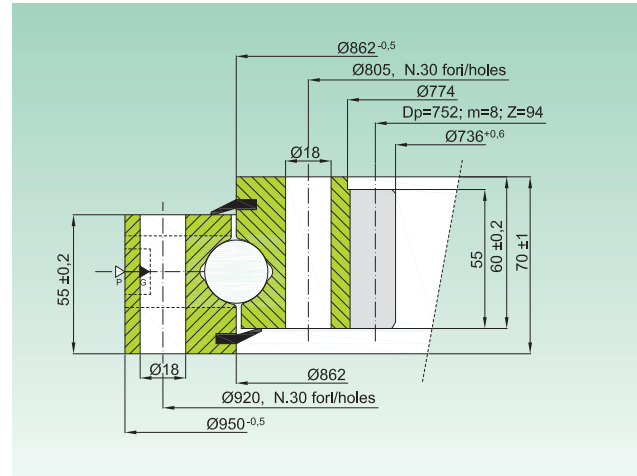
## SERIE STANDARD

STANDARD SERIES

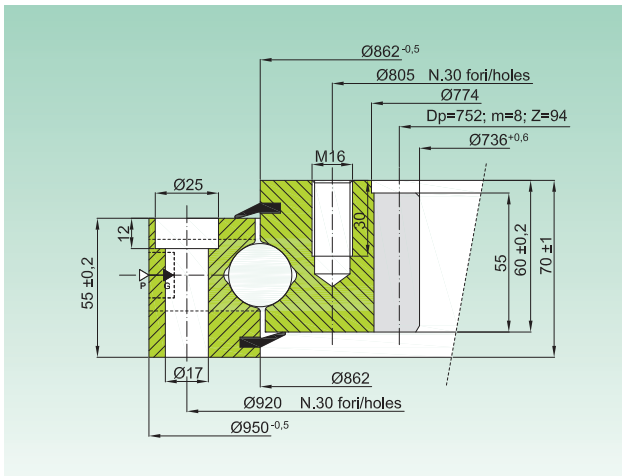
### ZB1.25.0860.200-1SPPN



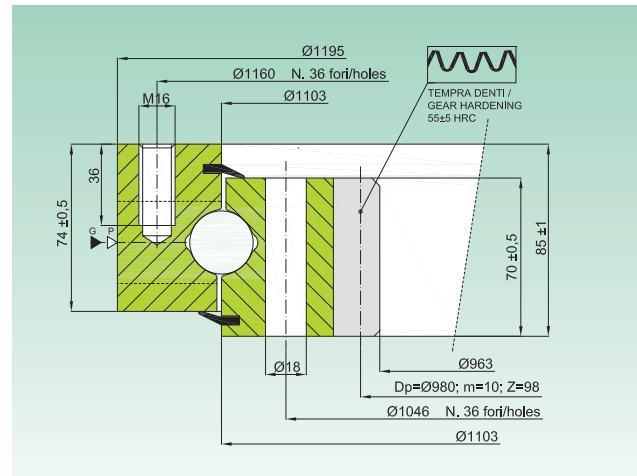
### ZB1.25.0862.200-1SPPN



### ZB1.25.0862.201-1SPTN



### ZB1.28.1103.200-1STPN



Codice Code	Curva Curve	Materiale Material	Dentatura Gear data		Peso Weight [Kg]
			fz nor [kN]	fz max [kN]	
ZB1.25.0860.200-1SPPN	11	C45 Q+T	27,0	54,0	95
ZB1.25.0862.200-1SPPN	11	C45 Q+T	27,0	54,0	108
ZB1.25.0862.201-1SPTN	11	C45 Q+T	27,0	54,0	115
ZB1.28.1103.200-1STPN	12	C45 Q+T	91,1	182,2	200

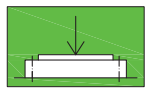
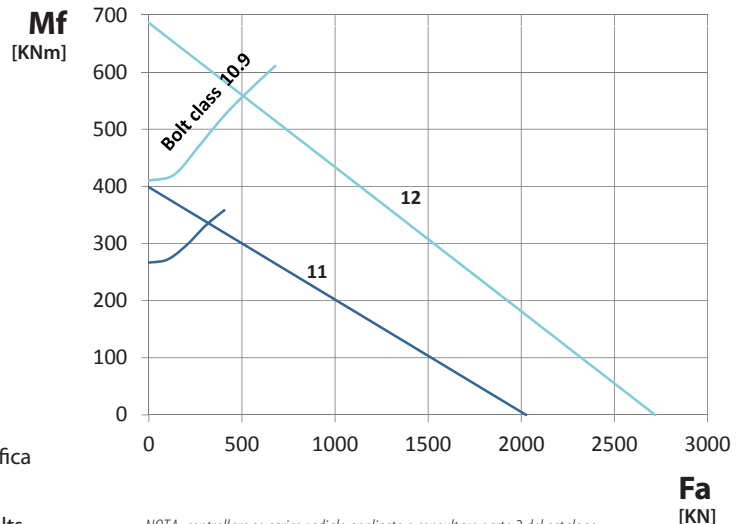
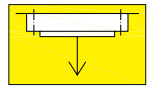


Diagramma di carico statico valido per sforzi compressivi

Static load charts valid for compressive loads



Carico sospeso: occorre verifica specifica della bulloneria

Suspended load: specific bolts calculation required

NOTA: controllare se carico radiale applicato e consultare parte 2 del catalogo  
NOTE: check if radial load applied and consult part 2 of the catalogue