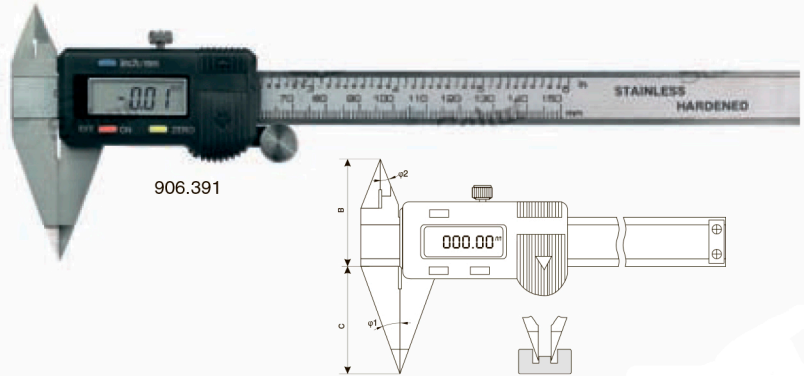


Digital calipers with pointed measuring jaws

The pointed measuring jaws of these calipers enable you to measure distances in places that are hard to reach.

- Measuring range: 0-300 mm.
- Resolution: 0.01 mm.
- mm/inch conversion.
- On/off switch.
- Reset.
- Power supply: 1 battery type V357.



Item No.	Measuring range/mm	Jaw length C/mm	Length B/mm	Angle $\phi 1$	Angle $\phi 2$
906.391	0 - 150	40	37	20°	20°
906.392	0 - 200	50	40	20°	22.5°
906.393	0 - 300	60	42	20°	22.5°

Option:
836.535 Spare battery

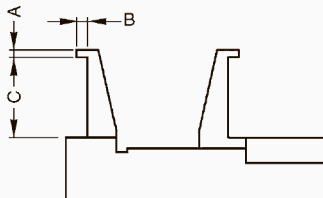
Digital calipers with outside angled measuring jaws

These calipers have short, stable, V-shaped measuring jaws with a flat front. Specially designed for measuring bore and internal groove diameters.

- Measuring range: 8-200 mm.
- Resolution: 0.01 mm.
- mm/inch conversion.
- On/off switch.
- Preset at 10 mm (delivery incl. setting ring).
- Preset through SET, + and - switches.
- Thickness measuring face: 0.5 mm.
- Power supply: 1 battery type V357.



907.556



Item No.	Measuring range/mm	Length/mm		
		A	B	C
907.556	8 - 150	1.5	3.5	27.5
907.557	8 - 200	1.5	3.5	27.5

Option:
836.535 Spare battery