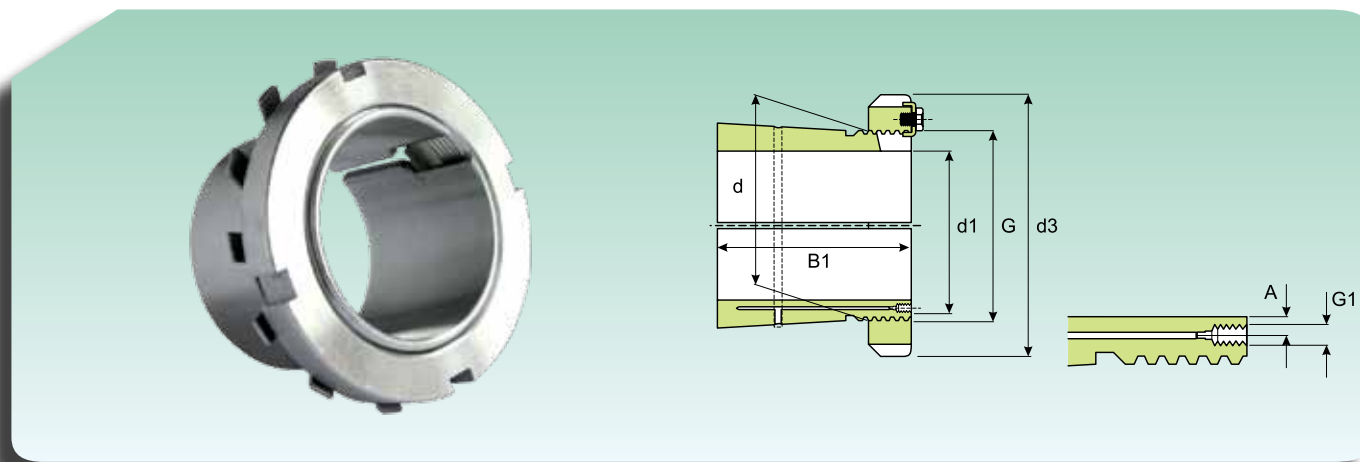




**SPANNHÜLSEN  
ЗАКРЕПИТЕЛЬНЫЕ ВТУЛКИ**



Abmessungen Размер							Gewicht (kg) Масса (кг)	Kurzzzeichen Обозначение			
d1 (mm)	d (mm)	d3 (mm)	B1 (mm)	A (mm)	G1 (mm)	G (mm)		Spannhülsen mit Ring- mutter und Sicherung Закрепительные втулки с гайкой и стопорным бугелем	Wellenmutter Стопорная гайка	Sicherungsele- ment Стопорный бугель	Hydraulikmutter Гидравлическая гайка
410	440	520	228	6.5	M8	Tr 440x5	65	OH 3088 H	HM 3088	MS 3092-88	HMV 88 E
	440	520	189	6.5	M8	Tr 440x5	58	OH 3988 H	HM 3088	MS 3092-88	HMV 88 E
	440	560	307	6.5	M8	Tr 440x5	95	OH 3188 H	HM 3188	MS 3192-88	HMV 88 E
	440	560	361	6.5	M8	Tr 440x5	117	OH 3288 H	HM 3188	MS 3192-88	HMV 88 E
430	460	540	234	6.5	M8	Tr 460x5	71	OH 3092 H	HM 3092	MS 3092-88	HMV 92 E
	460	540	189	6.5	M8	Tr 460x5	60	OH 3992 H	HM 3092	MS 3092-88	HMV 92 E
	460	580	326	6.5	M8	Tr 460x5	119	OH 3192 H	HM 3192	MS 3192-88	HMV 92 E
	460	580	382	6.5	M8	Tr 460x5	134	OH 3292 H	HM 3192	MS 3192-88	HMV 92 E
450	480	560	237	6.5	M8	Tr 480x5	75	OH 3096 H	HM 3096	MS 30/500-96	HMV 96 E
	480	560	200	6.5	M8	Tr 480x5	66	OH 3996 H	HM 3096	MS 30/500-96	HMV 96 E
	480	620	335	6.5	M8	Tr 480x5	135	OH 3196 H	HM 3196	MS 3196	HMV 96 E
	480	620	397	6.5	M8	Tr 480x5	153	OH 3296 H	HM 3196	MS 3196	HMV 96 E
470	500	580	247	6.5	M8	Tr 500x5	82	OH 30/500 H	HM 30/500	MS 30/500-96	HMV 100 E
	500	580	208	6.5	M8	Tr 500x5	74.3	OH 39/500 H	HM 30/500	MS 30/500-96	HMV 100 E
	500	630	356	6.5	M8	Tr 500x5	145	OH 31/500 H	HM 31/500	MS 31/500	HMV 100 E
	500	630	428	6	M8	Tr 500x5	170	OH 32/500 H	HM 31/500	MS 31/500	HMV 100 E
500	530	630	265	6	M8	Tr 530x6	105	OH 30/530 H	HM 30/530	MS 30/600-530	HMV 106 E
	530	630	216	6	M8	Tr 530x6	87.9	OH 39/530 H	HM 30/530	MS 30/600-530	HMV 106 E
	530	670	364	6	M8	Tr 530x6	161	OH 31/530 H	HM 31/530	MS 31/530	HMV 106 E
	530	670	447	6	M8	Tr 530x6	192	OH 32/530 H	HM 31/530	MS 31/530	HMV 106 E
530	560	650	282	6	M8	Tr 560x6	112	OH 30/560 H	HM 30/560	MS 30/560	HMV 112 E
	560	650	227	6	M8	Tr 560x6	95	OH 39/560 H	HM 30/560	MS 30/560	HMV 112 E
	560	710	377	6	M8	Tr 560x6	185	OH 31/560 H	HM 31/560	MS 31/600-560	HMV 112 E
	560	710	462	6	M8	Tr 560x6	219	OH 32/560 H	HM 31/560	MS 31/600-560	HMV 112 E
560	600	700	289	8	G 1/8	Tr 600x6	147	OH 30/600 H	HM 30/600	MS 30/600-530	HMV 120 E
	600	700	239	8	G 1/8	Tr 600x6	127	OH 39/600 H	HM 30/600	MS 30/600-530	HMV 120 E
	600	750	399	8	G 1/8	Tr 600x6	234	OH 31/600 H	HM 31/600	MS 31/600-560	HMV 120 E
	600	750	487	8	G 1/8	Tr 600x6	278	OH 32/600 H	HM 31/600	MS 31/600-560	HMV 120 E
600	630	730	301	6	M8	Tr 630x6	138	OH 30/630 H	HM 30/630	MS 30/630	HMV 126 E
	630	730	254	6	M8	Tr 630x6	124	OH 39/630 H	HM 30/630	MS 30/630	HMV 126 E
	630	800	424	6	M8	Tr 630x6	254	OH 31/630 H	HM 31/630	MS 31/630	HMV 126 E
630	670	780	324	8	G 1/8	Tr 670x6	190	OH 30/670 H	HM 30/670	MS 30/670	HMV 134 E
	670	780	264	8	G 1/8	Tr 670x6	162	OH 39/670 H	HM 30/670	MS 30/670	HMV 134 E
	670	850	456	8	G 1/8	Tr 670x6	340	OH 31/670 H	HM 31/670	MS 31/670	HMV 134 E
	670	850	558	8	G 1/8	Tr 670x6	401	OH 32/670 H	HM 31/670	MS 31/670	HMV 134 E
670	710	830	342	8	G 1/8	Tr 710x7	228	OH 30/710 H	HM 30/710	MS 30/710	HMV 142 E
	710	830	286	8	G 1/8	Tr 710x7	183	OH 39/710 H	HM 30/710	MS 30/710	HMV 142 E
	710	900	467	8	G 1/8	Tr 710x7	392	OH 31/710 H	HM 31/710	MS 31/710	HMV 142 E
	710	900	572	8	G 1/8	Tr 710x7	459	OH 32/710 H	HM 31/710	MS 31/710	HMV 142 E
710	750	870	356	8	G 1/8	Tr 750x7	246	OH 30/750 H	HM 30/750	MS 30/800-750	HMV 150 E
	750	870	291	8	G 1/8	Tr 750x7	211	OH 39/750 H	HM 30/750	MS 30/800-750	HMV 150 E
	750	950	493	8	G 1/8	Tr 750x7	451	OH 31/750 H	HM 31/750	MS 31/800-750	HMV 150 E
	750	950	603	8	G 1/8	Tr 750x7	526	OH 32/750 H	HM 31/750	MS 31/800-750	HMV 150 E