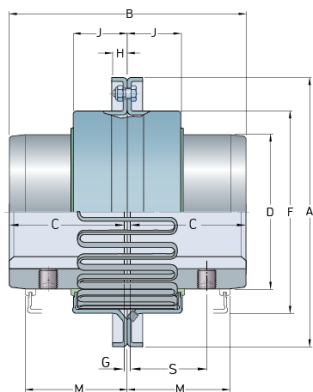


PHE 1110TGVCOVER



Size	1110
Nominal torque (Nm)	9320
Max speed (r/min)	3000
Min. bore (mm)	41
Max. bore (mm)	117
Weight (kg)	3.8