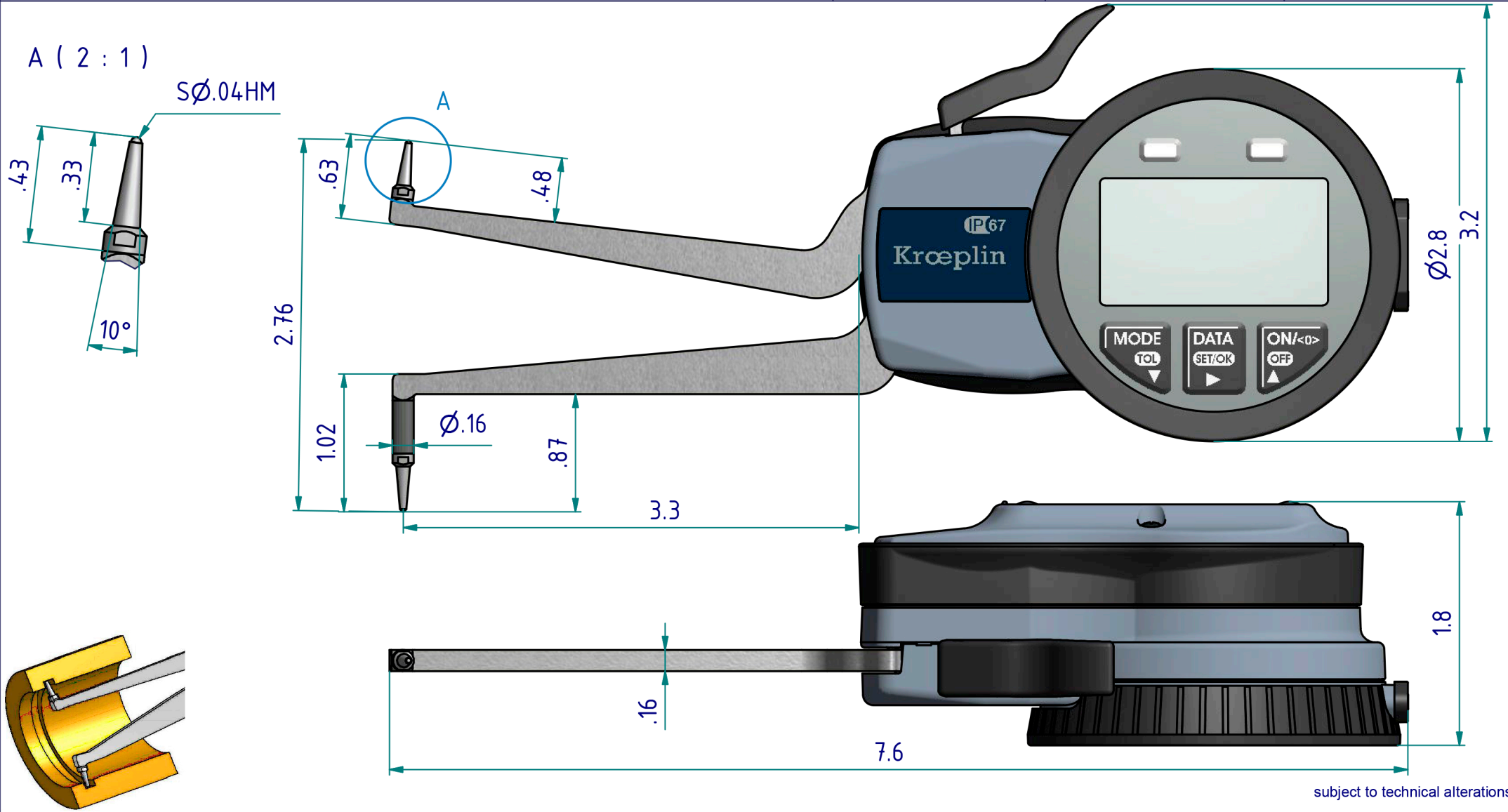


data sheet: G250

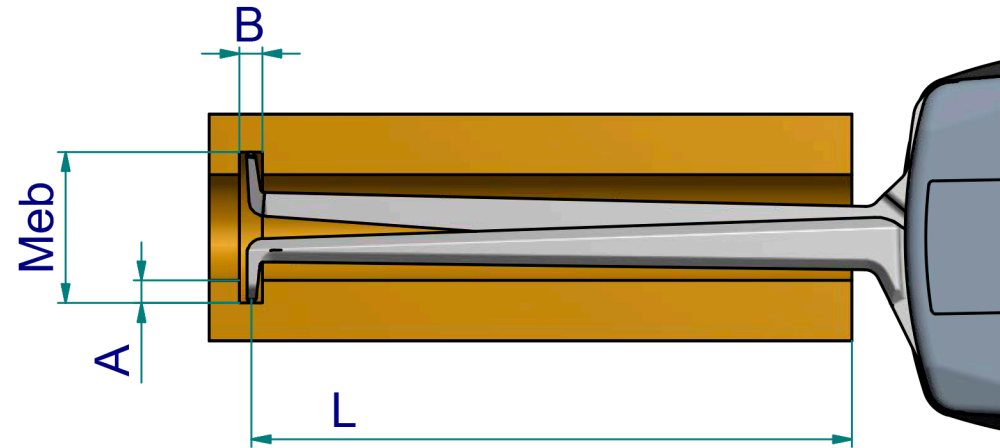


subject to technical alterations

type:	G
range:	1.97 - 2.76 INCH
range of indication:	1.9490 - 2.7755 INCH
digital step:	.0005 INCH
scale interval:	-
measuring force:	1,1 - 1,6 N
weight:	265 g

<small>acceptable deviations VDI/VDE/DGQ 2618 Bl. 12.1/13.1)</small>	
max. permissible errors "G":	.0015 INCH
repeatability "r":	.0005 INCH
reference temperature:	20° C
operation temperature:	10° C - 30° C
storage temperature:	-10° C - 50° C

scale:	1:1
drawing-nr.:	DAB-G250_KR_I
date of issue:	07.01.09
name:	M. Balzer
revision status:	001
revision date:	09.03.10



measuring capacity

groove depth A [inch]	measuring range Meb [inch]										
	1.97	2.05	2.13	2.20	2.28	2.36	2.44	2.52	2.60	2.68	2.76
0	0 / 3.21	0 / 3.24	0 / 3.26	0 / 3.30	0 / 3.37	0 / 3.41	0 / 3.43	0 / 3.43	0 / 3.44	0 / 3.45	0 / 3.46
.039		.06 / 3.22	.06 / 3.25	.06 / 3.28	.06 / 3.33	.06 / 3.39	.06 / 3.42	.06 / 3.43	.06 / 3.43	.06 / 3.44	.06 / 3.45
.079			.07 / 3.23	.07 / 3.26	.07 / 3.29	.07 / 3.35	.07 / 3.40	.07 / 3.42	.07 / 3.43	.07 / 3.43	.07 / 3.44
.118				.07 / 3.24	.07 / 3.27	.07 / 3.31	.07 / 3.37	.07 / 3.41	.07 / 3.42	.07 / 3.42	.07 / 3.43
.157					.08 / 3.25	.08 / 3.28	.08 / 3.33	.08 / 3.39	.08 / 3.41	.08 / 3.41	.08 / 3.42
.197						.09 / 3.26	.09 / 3.29	.09 / 3.35	.09 / 3.40	.09 / 3.41	.09 / 3.41
.236							.09 / 3.26	.09 / 3.30	.09 / 3.36	.09 / 3.40	.09 / 3.40
.276								.10 / 3.27	.10 / 3.31	.10 / 3.37	.10 / 3.39
.315									.11 / 3.28	.11 / 3.32	.11 / 3.38
	B / L										

subject to technical alterations

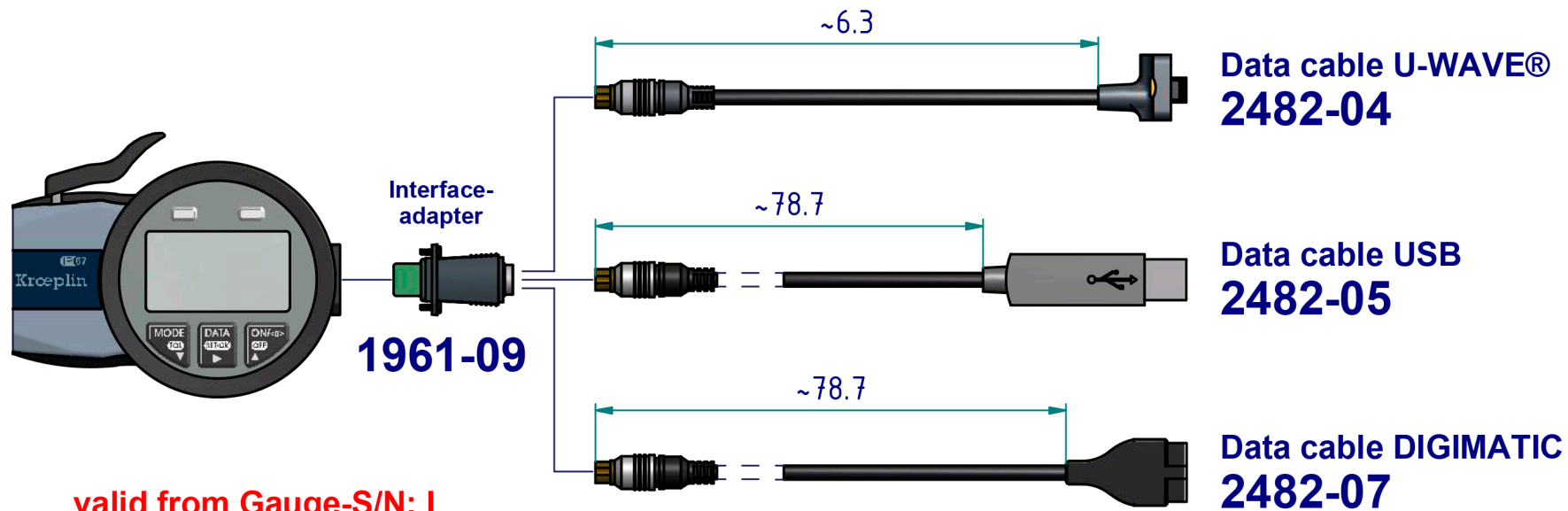
drawing-nr.: DAB-G250_KR_I
date of issue: 07.01.09
name: M. Balzer

revision status:
revision date:

B = minimum groove width [inch]
L = maximum usable arm length [inch]

Example: Meb = 2.20 B = .07
A = .079 L = 3.26

interface as accessories available:



valid from Gauge-S/N: I
Always specify serial number
when ordering Interfaces or accessories!

subject to technical alterations

drawing-nr.:	DAB-G250_KR_I
date of issue:	07.01.09
name:	M. Balzer
revision status:	2043
revision date:	27.02.12