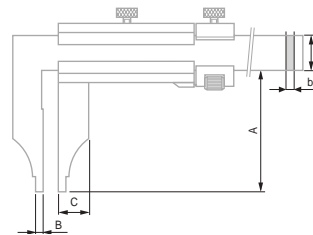
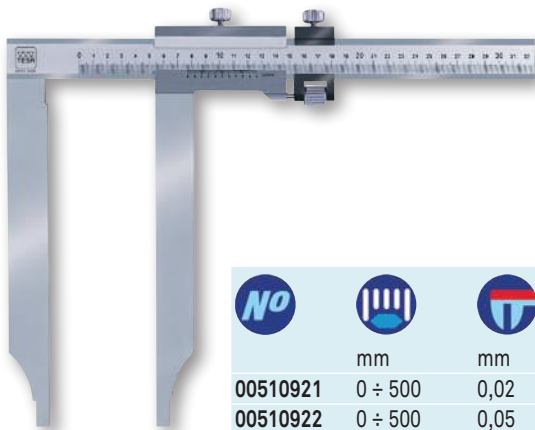


CALIPERS WITH SPECIAL DESIGN

Calipers designated for specific measuring tasks including:

- Models with extra long jaws
- Models with hook jaws for measuring grooves
- Models for measuring throat depth

With Extra Long Jaws and Fine Adjust Device

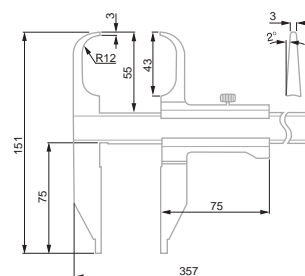
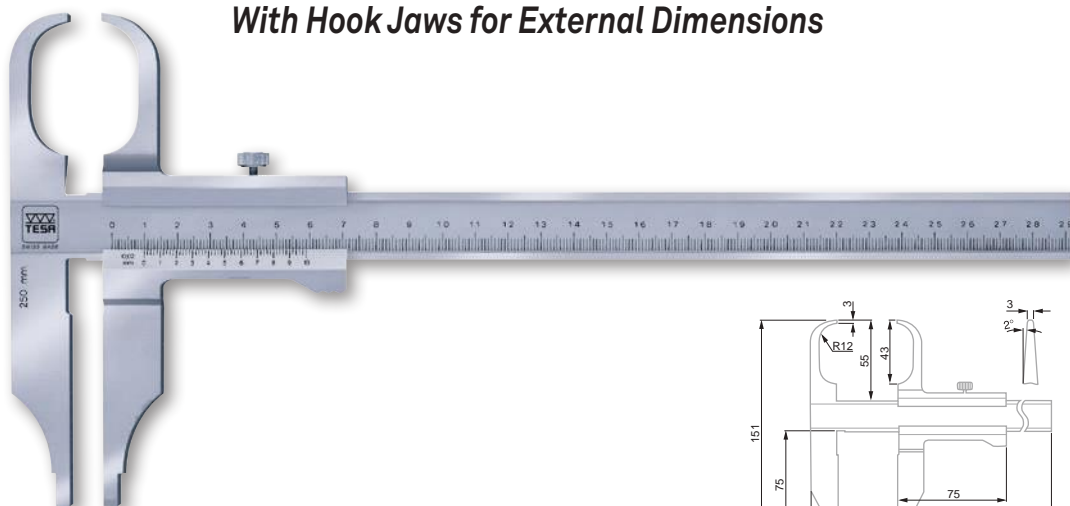


No	mm	mm	A mm	b mm	A mm	B mm	C mm
00510921	0 ÷ 500	0,02	28	6	250	10	30
00510922	0 ÷ 500	0,05	28	6	250	10	30
00510941	0 ÷ 1000	0,02	32	8	300	10	30
00510942	0 ÷ 1000	0,05	32	8	300	10	30

OPTIONAL ACCESSORY:

0051610365 Magnetic magnifying glass, 3x magnification

With Hook Jaws for External Dimensions



No	mm	mm
00510911	0 ÷ 250	0,02

OPTIONAL ACCESSORY:

0051610365 Magnetic magnifying glass, 3x magnification



Factory standard



Hardened stainless steel



Wooden storage case



Inspection report with a declaration of conformity



Serial number identification



Satin-chrome scale background; main scale set back slightly for protection against wear



NFE 11-096



Hardened stainless steel



Wooden storage case



Inspection report with declaration of conformity



Serial number identification



Satin-chrome scale background; main scale set back slightly for protection against wear