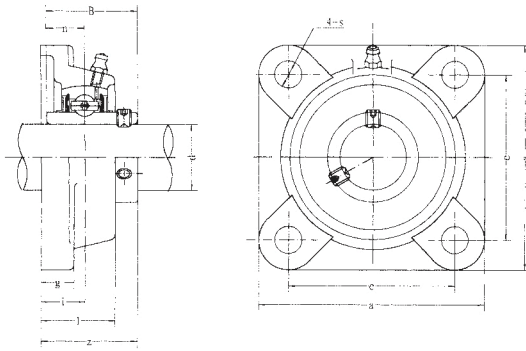


Flange Units (Square)



Unit No.	Dimensions ^{mm} inch										Bolt Size mm inch	Bearing No.	Housing No.	Weight (kg)
	d	h	a	e	b	S ₁	S ₂	g	B	n				
*UCF 201	12	86	64	15	12	25.5	12	33.3	31	12.7	M10	UC 201	F204	0.60
*UCF 201-8	3/4	3-3/8	2-33/64	19/32	15/32	1	15/32	1-5/16	1.2205	0.500	3/8	UC 201-8		0.59
*UCF 202	15	86	64	15	12	25.5	12	33.3	31	12.7	M10	UC 202	F204	0.59
*UCF 202-9	9/16	3-3/8	2-33/64	19/32	15/32	1	15/32	1-5/16	1.2205	0.500	3/8	UC 202-9		0.59
*UCF 202-10	5/8											UC 202-10		0.59
*UCF 203	17	86	64	15	12	25.5	12	33.3	31	12.7	M10	UC 203	F204	0.58
*UCF 203-11	11/16	3-3/8	2-33/64	19/32	15/32	1	15/32	1-5/16	1.2205	0.500	3/8	UC 203-11		0.57
*UCF 204	20	86	64	15	12	25.5	12	33.3	31	12.7	M10	UC 204	F204	0.56
*UCF 204-12	3/4	3-3/8	2-33/64	19/32	15/32	1	15/32	1-5/16	1.2205	0.500	3/8	UC 204-12		0.56
*UCF 205	25	95	70	16	14	27	12	35.8	34.1	14.3	M10	UC 205	F205	0.80
*UCF 205-13	13/16											UC 205-13		0.84
*UCF 205-14	7/8	3-3/4	2-3/4	5/8	35/64	1-1/16	15/32	1-13/32	1.3425	0.563	3/8	UC 205-14		0.83
*UCF 205-15	15/16											UC 205-15		0.81
*UCF 205-16	1											UC 205-16		0.80
*UCF 206	30	108	83	18	14	31	12	40.2	38.1	15.9	M10	UC 206	F206	1.12
*UCF 206-17	1-1/16											UC 206-17		1.15
*UCF 206-18	1-1/8											UC 206-18		1.14
*UCF 206-19	1-3/16	4-1/4	3-17/64	45/64	35/64	1-7/32	15/32	1-19/32	1.5000	0.626	3/8	UC 206-19		1.12
*UCF 206-20	1-1/4											UC 206-20		1.11
*UCF 207	35	117	92	19	16	34	14	44.4	42.9	17.5	M12	UC 207	F207	1.46
*UCF 207-20	1-1/4											UC 207-20		1.52
*UCF 207-21	1-5/16											UF 207-21		1.49
*UCF 207-22	1-3/8	4-39/64	3-5/8	3/4	5/8	1-11/32	35/64	1-3/4	1.6890	0.689	7/16	UC 207-22		1.46
*UCF 207-23	1-7/16											UC 207-23		1.43
*UCF 208	40	130	102	21	16	36	16	51.2	49.2	19	M14	UC 208	F208	1.84
*UCF 208-24	1-1/12	5-1/8	4-1/64	53/64	5/8	1-27/64	5/8	2-1/64	1.9370	0.748	1/2	UC 208-24		1.88
*UCF 208-25	1-9/16											UC 208-25		1.85
*UCF 209	45	137	105	22	18	38	16	52.2	49.2	19	M14	UC 209	F209	2.15
*UCF 209-26	1-5/8											UC 209-26		2.25
*UCF 209-27	1-11/16	5-13/32	4-9/64	55/64	23/32	1-1/2	5/8	2-1/16	1.9370	0.748	1/2	UC 209-27		2.21
*UCF 209-28	1-3/4											UC 209-28		2.17
*UCF 210	50	14.3	111	22	18	40	16	54.6	51.6	19	M14	UC 210	F210	2.42
*UCF 210-29	1-13/16											UC 210-29		2.54
*UCF 210-30	1-7/8											UC 210-30		2.49
*UCF 210-31	1-15/16	5-5/8	4-3/8	55/64	23/32	1-9/16	5/8	2-5/32	2.0315	0.748	1/2	UC 210-31		2.44
*UCF 210-32	2											UC 210-32		2.40
*UCF 211	55	162	130	25	20	43	19	58.4	55.6	22.2	M16	UC 211	F211	3.31
*UCF 211-32	2											UC 211-32		3.46
*UCF 211-33	2-1/16											UC 211-33		3.40
*UCF 211-34	2-1/8	6-3/8	5-1/8	63/64	25/32	1-11/16	3/4	1-5/16	2.1890	0.874	5/8	UC 211-34		3.35
*UCF 211-35	2-3/16											UC 211-35		3.29
UCF 212	60	175	143	29	20	48	19	68.7	65.1	25.4	M16	UC 212	F212	4.28
UCF 212-36	2-1/4											UC 212-36		4.41
UCF 212-37	2-5/16	6-57/64	5-5/8	1-9/64	25/32	1-57/64	3/4	2-45/64	2.5630	1.000	5/8	UC 212-37		4.33
UCF 212-38	2-3/8											UC 212-38		4.26
UCF 212-39	2-7/16											UC 212-39		4.19
UCF 213	65	187	149	30	22	50	19	69.7	65.1	25.4	M16	UC 213	F213	4.99
UCF 213-40	2-1/2	7-23/64	5-55/64	1-3/16	55/64	1-31/32	3/4	2-3/4	2.5630	1.000	5/8	UC 213-40		5.08
UCF 213-41	2-9/16											UC 213-41		4.99
UCF 214	70	193	152	31	22	54	19	75.4	74.6	30.2	M16	UC 214	F214	5.85
UCF 214-42	2-5/8											UC 214-42		6.06
UCF 214-43	2-11/16	7-19/32	5-63/64	1-7/32	55/64	2-1/8	3/4	2-31/32	2.9370	1.189	5/8	UC 214-43		5.96
UCF 214-44	2-3/4											UC 214-44		5.86
UCF 215	75	200	159	34	22	56	19	78.5	77.8	33.3	M16	UC 215	F215	6.91
UCF 215-45	2-13/16											UC 215-45		7.16
UCF 215-46	2-7/8	7-7/8	6-17/64	1-11/32	55/64	2-7/32	3/4	3-3/32	3.0630	1.311	5/8	UC 215-46		7.05
UCF 215-47	2-15/16											UC 215-47		6.94
UCF 215-48	3											UC 215-48		6.82
UCF 216	80	208	165	34	22	58	23	83.3	82.6	33.3	M20	UC 216	F216	7.50
UCF 216-49	3-1/8											UC 216-49		7.68
UCF 216-50	3-1/8	8-3/16	6-1/2	1-11/32	55/64	2-9/32	29/32	3-9/32	3.2520	1.311	3/4	UC 216-50		7.55
UCF 216-51	3-3/16											UC 216-51		7.42
UCF 217	85	220	175	36	24	63	23	87.6	85.7	34.1	M20	UC 217	F217	9.66
UCF 217-52	3-1/4											UC 217-52		9.88
UCF 217-53	3-5/16	8-21/32	6-57/64	1-27/64	15/16	2-15/32	29/32	3-7/16	3.3740	1.343	3/4	UC 217-53		9.74
UCF 217-55	3-7/16											UC 217-55		9.45
UCF 218	90	235	187	40	24	68	23	96.3	96	39.7	M20	UC 218	F218	12.06
UCF 218-56	3-1/2	9-1/4	7-23/64	1-37/64	15/16	2-11/16	29/32	3-25/32	3.7795	1.5630	3/4	UC 218-56		12.17

* Add SP in front of the Unit No for Stainless Steel Bearing with Thermo-Plastic Housing (Eg. SP UCP 205))

Add C as suffix for both side Open cover (Eg. SP UCP 205 C)
or CD as suffix for one side Open & one side Closed cover (Eg. SP UCP 205 CD)