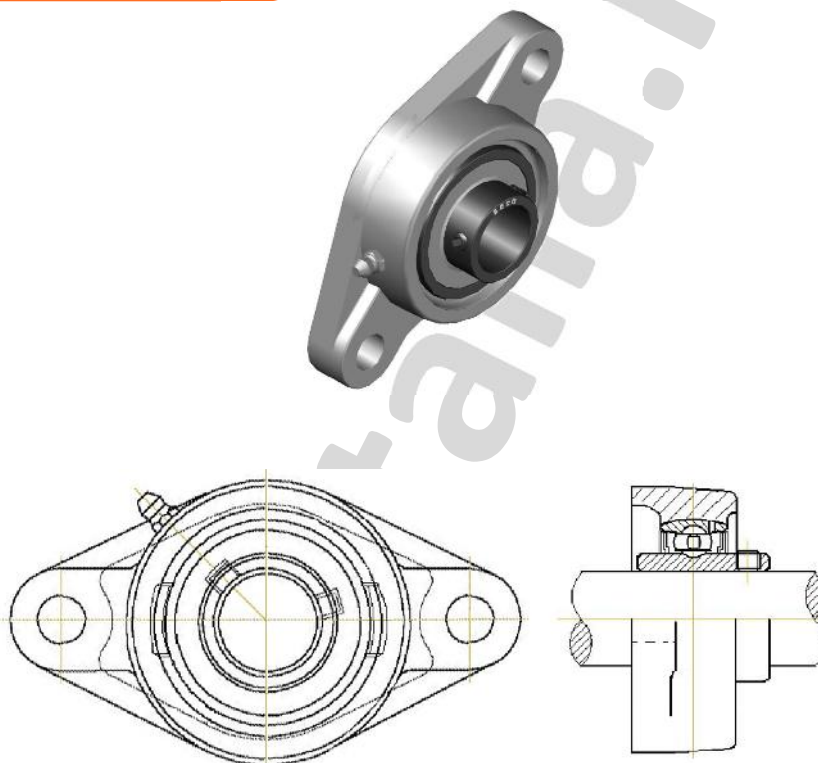
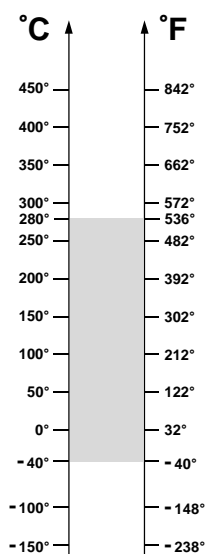


## BHTS ZZ 280° (UCFL Serie)

### Pillow Block for Extreme Temperature



\* Dimensions available at PILLOW BLOCK HOUSINGS Pages

OPERATING RANGE: -40° / 280°C

ECONOMIC OPERATING RANGE: 200° / 280°C

Unit code	Bearing code	Housing code
UCFL 201 BHTS ZZ 280°	UC 201 BHTS ZZ 280°	FL 204 SS
UCFL 202 BHTS ZZ 280°	UC 202 BHTS ZZ 280°	FL 204 SS
UCFL 203 BHTS ZZ 280°	UC 203 BHTS ZZ 280°	FL 204 SS
UCFL 204 BHTS ZZ 280°	UC 204 BHTS ZZ 280°	FL 204 SS
UCFL 205 BHTS ZZ 280°	UC 205 BHTS ZZ 280°	FL 205 SS
UCFL 206 BHTS ZZ 280°	UC 206 BHTS ZZ 280°	FL 206 SS
UCFL 207 BHTS ZZ 280°	UC 207 BHTS ZZ 280°	FL 207 SS
UCFL 208 BHTS ZZ 280°	UC 208 BHTS ZZ 280°	FL 208 SS
UCFL 209 BHTS ZZ 280°	UC 209 BHTS ZZ 280°	FL 209 SS
UCFL 210 BHTS ZZ 280°	UC 210 BHTS ZZ 280°	FL 210 SS
UCFL 211 BHTS ZZ 280°	UC 211 BHTS ZZ 280°	FL 211 SS
UCFL 212 BHTS ZZ 280°	UC 212 BHTS ZZ 280°	FL 212 SS

**OPERATING RANGE** is the correct technical range in which can be used the bearing with good operating result.

**ECONOMIC OPERATING RANGE** is the range of temperature in which you can find, according to our study experience and know-how, the better relation price - quality life-time.