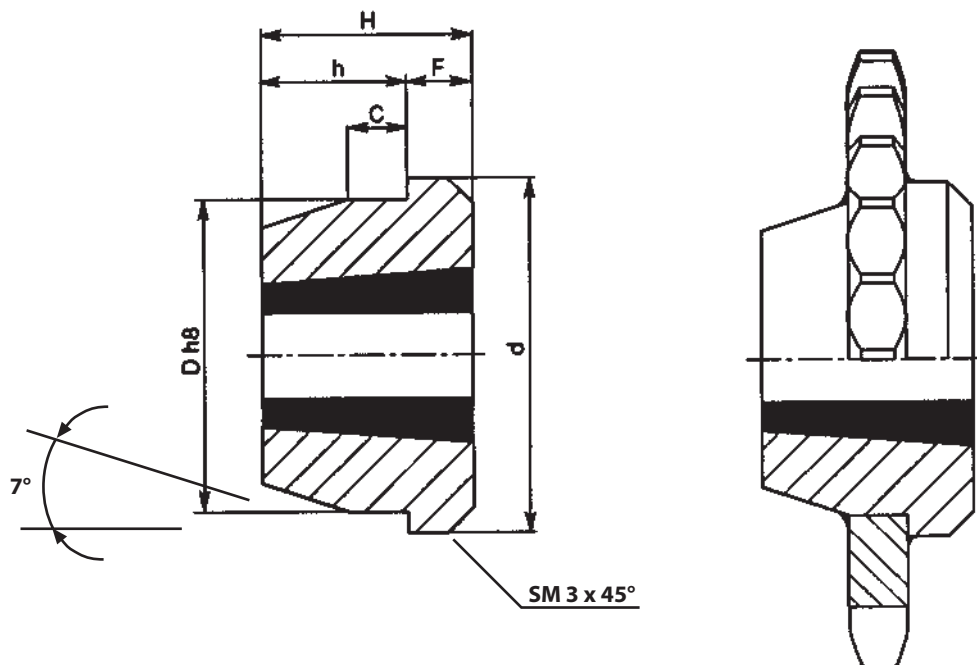




Mozzi saldabili per bussola conica
 Welding hubs for taper bushes
 Einschweissnaben für Taper-Spannbuchsen
 Moyeux coniques a souder
 Cubos soldados para casquillos cónicos



Materiale Fe	Material Fe	Werkstoff Fe	Matière Fe	Material Fe			
Tipo bussola Bush type Buchse typ Moyeux type Casquillos tipo	cod.	d	H	C	F	h	Dh8
1210	MSB1210	73	25	10	9	16	60
1215	MSB1215	76	38	11	16	22	60
1610	MSB1610	83	25	10	9	16	70
1615	MSB1615	83	38	11	16	22	70
2012	MSB2012	96	32	12	10	22	90
2517	MSB2517	127	45	13	19	26	110
3020	MSB3020	152	51	18	24	27	130
3030	MSB3030	152	76	19	25	51	130
3525	MSB3525	184	65	25	25	40	155
3535	MSB3535	184	89	25	32	57	155
4040	MSB4040	225	102	35	32	70	195
4545	MSB4545	254	114	40	38	76	220
5050	MSB5050	276	127	40	38	89	242