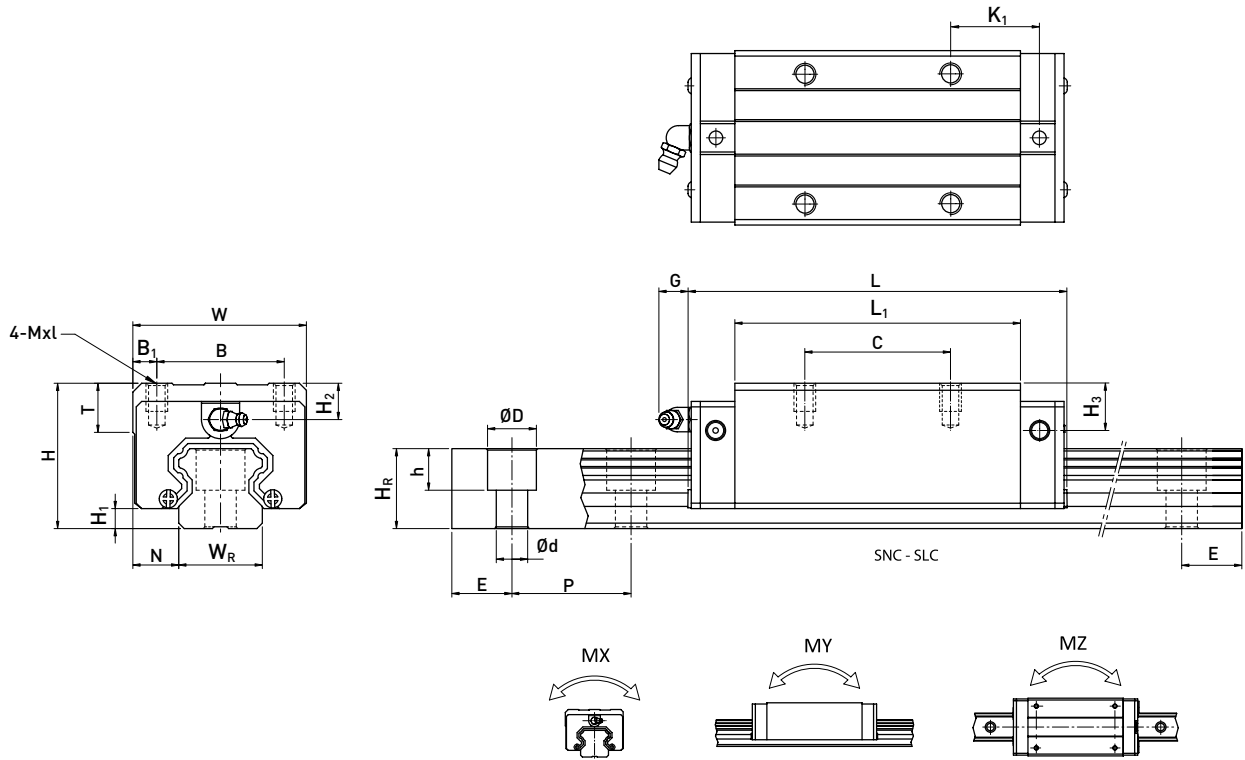




GUIDE LINEARI ISB H - ISB H LINEAR GUIDES

SNC-SLC



Carrello Model No.	Dimensioni assemblato Dimensions of Assembly (mm)				Dimensioni carrello Dimensions of Block (mm)										Dimensioni rotaia Dimensions of Rail (mm)						Viti di fissaggio Mounting Bolt for Rail (mm)	Capacità di carico dinamica Basic Dynamic Load Rating C(kN)	Capacità di carico statica Basic Static Load Rating C ₀ (kN)	Momento statico Static Rated Moment			Peso Weight			
	H	H ₁	N	W	B	B ₁	C	L ₁	L	K ₁	G	Mxl	T	H ₂	H ₃	W _R	H _R	D	h	d				P	E	MX KN-m	MY KN-m	MZ KN-m	Carrello Block kg	Rotaia Rail kg/m
SNC 15	28	4.3	9.5	34	26	4	26	39.4	61.4	10	5.3	M4x5	6	7.95	7.7	15	15	7.5	5.3	4.5	60	20	M4x16	11.38	16.97	0.12	0.10	0.10	0.18	1.45
SNC 20	30	4.6	12	44	32	6	36	50.5	77.5	12.25	12	M5x6	8	6	6	20	17.5	9.5	8.5	6	60	20	M5x16	17.75	27.76	0.27	0.20	0.20	0.38	2.21
SLC 20							50	65.2	92.2	12.6														21.18	35.9	0.35	0.35	0.35	0.39	
SNC 25	40	5.5	12.5	48	35	6.5	35	58	84	15.7	12	M6x8	8	10	9	23	22	11	9	7	60	20	M6x20	26.48	36.49	0.42	0.33	0.33	0.51	3.21
SLC 25							50	78.6	104.6	19.6														32.75	49.44	0.56	0.57	0.57	0.69	
SNC 30	45	6	16	60	40	10	40	70	97.4	20.25	12	M8x10	8.5	9.5	13.8	28	26	14	12	9	80	20	M8x25	38.74	52.19	0.66	0.53	0.53	0.88	4.47
SLC 30							60	93	120.4	21.75														47.27	69.16	0.88	0.92	0.92	1.16	
SNC 35	55	7.5	18	70	50	10	50	80	112.4	20.6	12	M8x12	10.2	16	19.6	34	29	14	12	9	80	20	M8x25	49.52	69.16	1.16	0.81	0.81	1.92	6.30
SLC 35	55	7.5	18	70	50	10	72	105.8	138.2	22.5	12	M8x12	10.2	16	19.6	34	29	14	12	9	80	20	M8x25	60.21	136.31	2.29	2.08	2.08	2.06	6.30
SNC 45	70	9.5	20.5	86	60	13	60	97	139.4	23	12.9	M10x17	16	18.5	30.5	45	38	20	17	14	105	22.5	M12x35	77.57	102.71	1.98	1.55	1.55	2.73	10.41
SLC 45	70	9.5	20.5	86	60	13	60	128.8	171.2	28.9	12.9	M10x17	16	18.5	30.5	45	38	20	17	14	105	22.5	M12x35	94.54	207.12	4.00	4.07	4.07	3.61	10.41