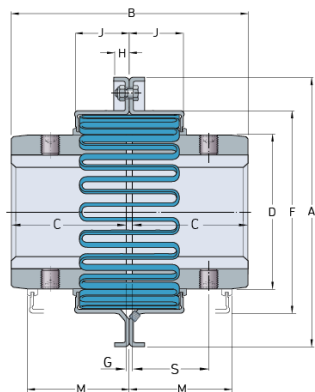


PHE 1170TGRID



Size	1170
Nominal torque (Nm)	74600
Max speed (r/min)	1600
Min. bore (mm)	133
Max. bore (mm)	279
Weight (kg)	2.8