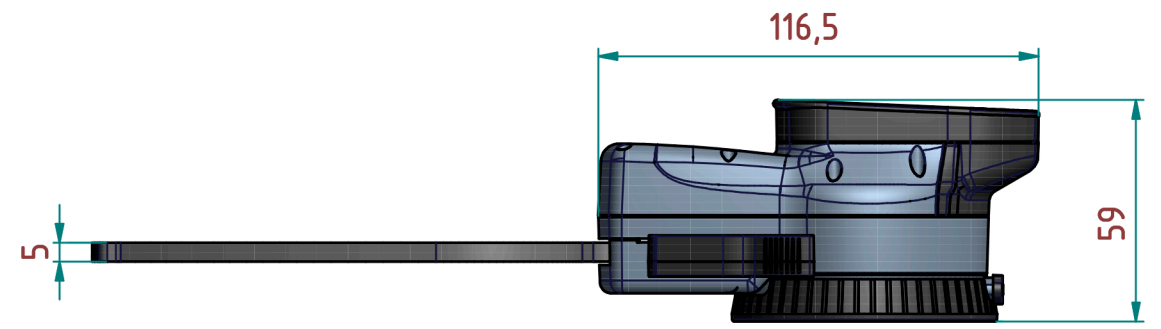
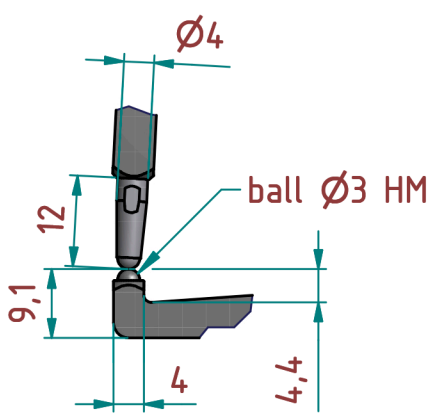


B (1 : 1)



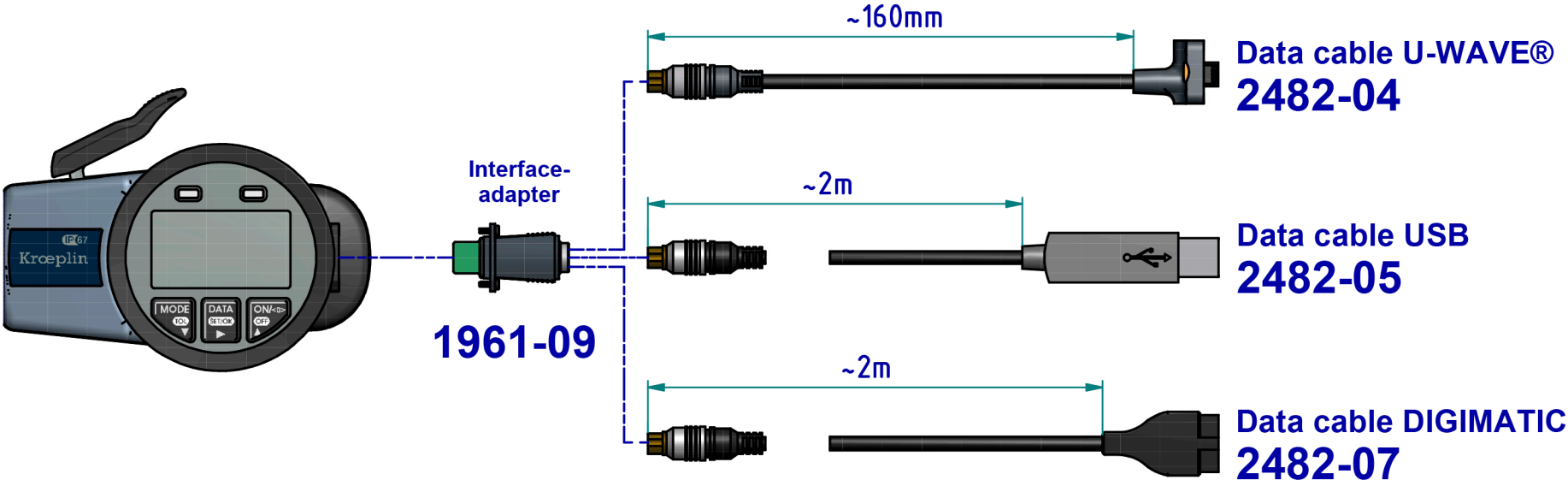
subject to technical alterations

type:	E200
range:	0 - 30 mm
range of indication:	0 - 30,5 mm
digital step:	0,02 mm
scale interval:	
measuring force:	0,9 - 1,6 N
weight:	410 g

acceptable deviations VDI/VDE/DGQ 2618 Bl. 12.1/13.1)	
max. permissible errors "G": 0,04 mm	
repeatability "r": 0,02 mm	
reference temperature: 20° C	
operation temperature: 10° C - 30° C	
storage temperature: -10° C - 50° C	

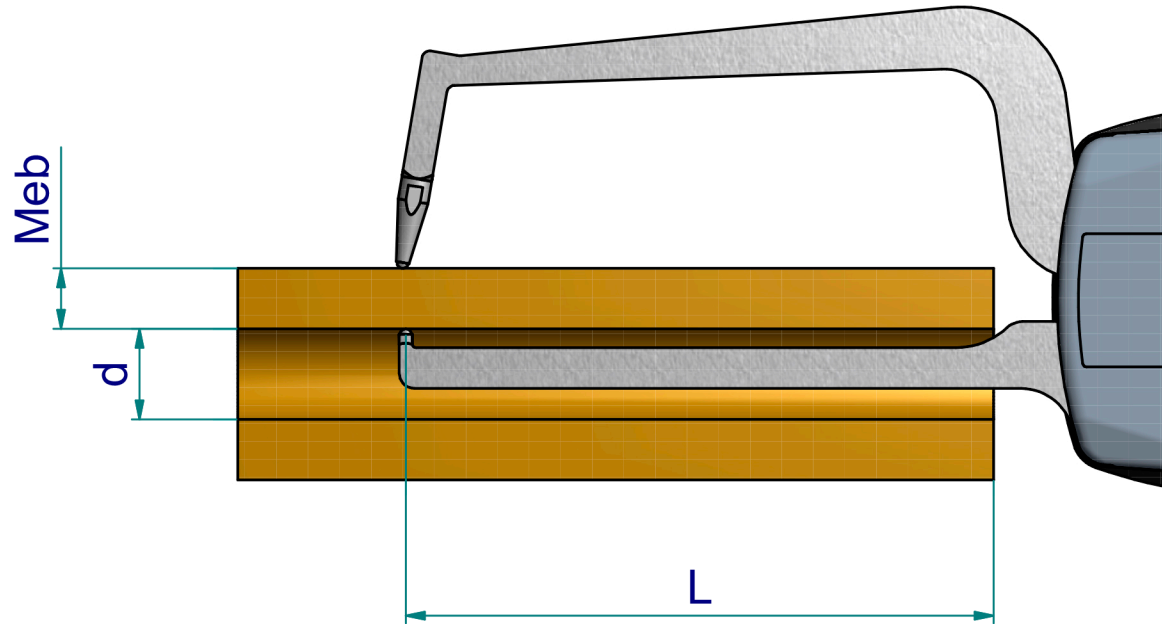
scale:	1 : 2
drawing-nr.:	DAB-C3R30_KR_en
date of issue:	10.04.2013
name:	Lange
revision status:	
revision date:	

interface as accessories available:



subject to technical alterations

drawing-nr.:	DAB-C3R30_KR_en
date of issue:	10.04.2013
name:	Lange
revision status:	
revision date:	



measuring capacity

internal diameter
d [mm]

		measuring range Meb [mm]									
		0,5	2	4	6	8	10	12	15	18	20
10		5	3	2	1	1,5	2	2,5	3	3,5	4
11		86,8	32,8	24,9	23,3	23,6	25,0	27,3	32,8	42,6	54,0
12		123,5	64,2	48,8	45,8	46,4	49,0	53,5	64,2	83,3	105,6
13		123,5	95,6	72,7	68,2	69,1	73,1	79,6	95,6	116,8	116,6
14		123,5	127,0	96,6	90,7	91,9	97,1	105,8	117,4	117,2	116,7
>15		123,5	127,2	119,4	112,0	113,5	119,6	118,6	117,4	116,8	116,5
	L										

L = maximum usable arm length [mm]

Example:
d = 11 Meb = 4 L = 24,9

subject to technical alterations

drawing-nr.: CAD-C3R30_KR_en
 date of issue: 03.07.2013
 name: Lange
 revision status:
 revision date: