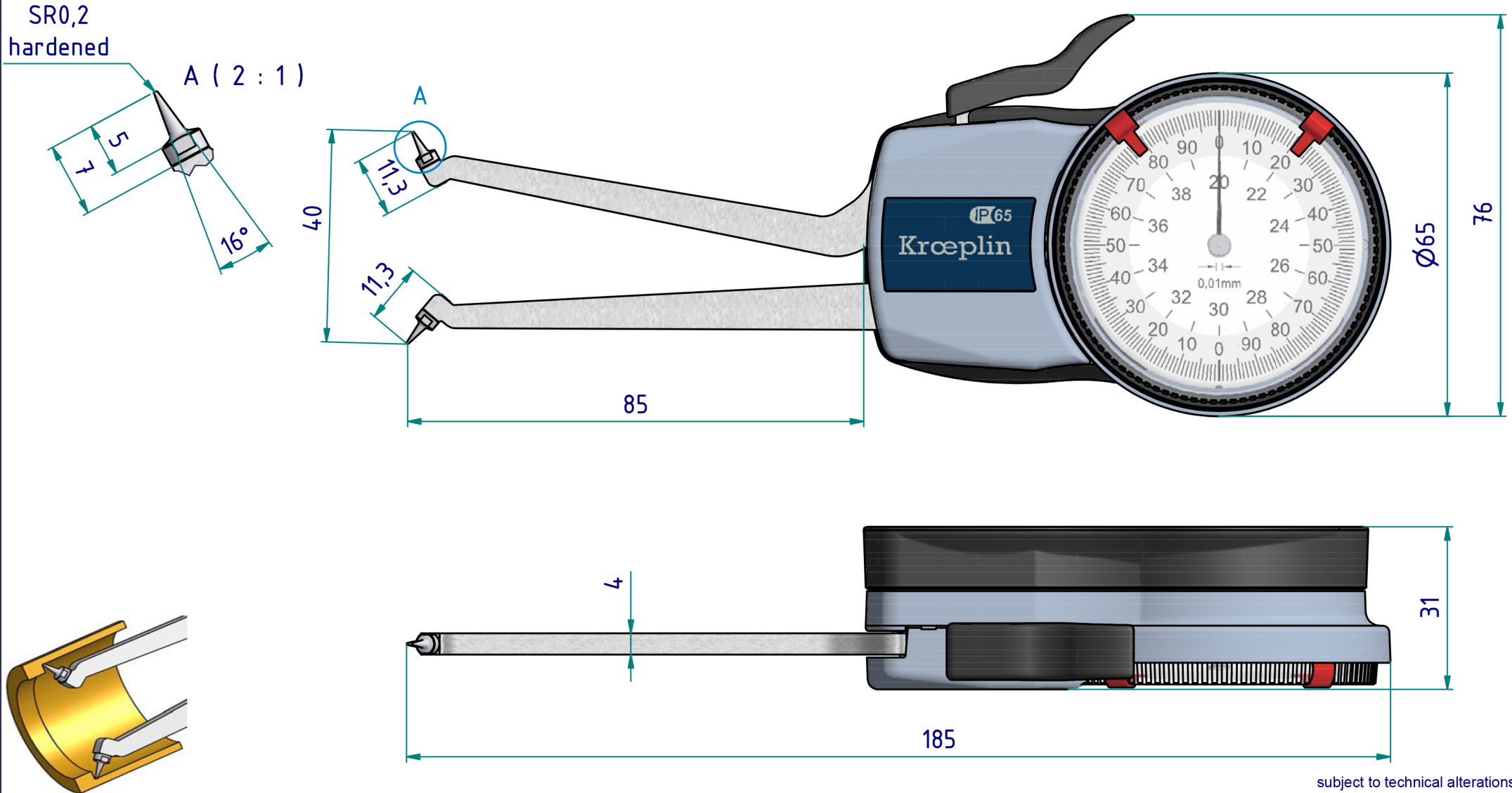


# data sheet: H2G20



subject to technical alterations

**type:** H  
**range:** 20 - 40 mm  
**range of indication:** 19,5 - 40,5 mm  
**digital step:** -  
**scale interval:** 0,01 mm  
**measuring force:** 1,1 - 1,6 N  
**weight:** 180 g

**acceptable deviations**  
 VDI/VDE/DGQ 2618 Bl. 12.1/13.1)  
**max. permissible errors "G":** 0,03 mm  
**repeatability "r":** 0,01 mm  
**reference temperature:** 20° C  
**operation temperature:** 10° C - 30° C  
**storage temperature:** -10° C - 50° C

**scale:** 1:1  
**drawing-nr.:** DAB-H2G20\_KR\_e  
**date of issue:** 08.01.09  
**name:** T.Koenig  
  
**revision status:**  
**revision date:**