

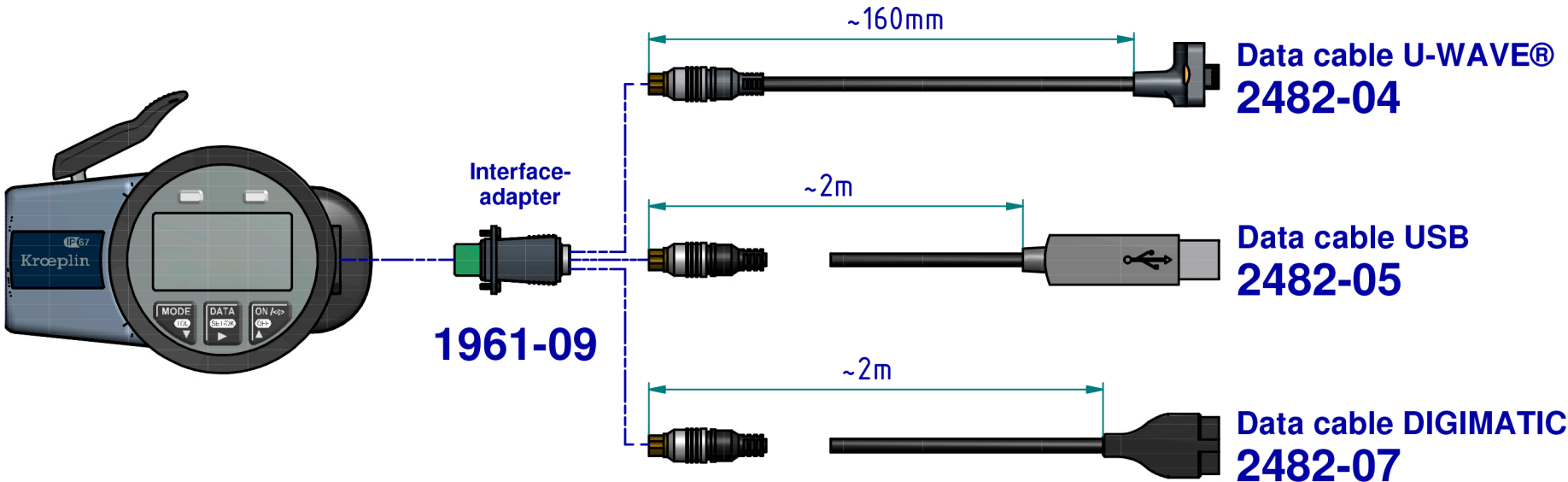
subject to technical alterations

type:	E200
range:	70 - 170 mm
range of indication:	69,5 - 170,5 mm
digital step:	0,05 mm
scale interval:	
measuring force:	0,8 - 1,8 N
weight:	650 g

acceptable deviations VDI/VDE/DGQ 2618 Bl. 12.1/13.1)	
max. permissible errors "G":	
repeatability "r":	0,15 mm
reference temperature:	20° C
operation temperature:	10° C - 30° C
storage temperature:	-10° C - 50° C

scale:	1 : 2
drawing-nr.:	DAB-G870_KR_en
date of issue:	12.04.2013
name:	Lange
revision status:	2096 / MHe
revision date:	01.04.2015

interface as accessories available:



subject to technical alterations

<b>drawing-nr.:</b>	<b>DAB-G870_KR_en</b>
<b>date of issue:</b>	<b>12.04.2013</b>
<b>name:</b>	<b>Lange</b>
<b>revision status:</b>	<b>2096 / MHe</b>
<b>revision date:</b>	<b>01.04.2015</b>