

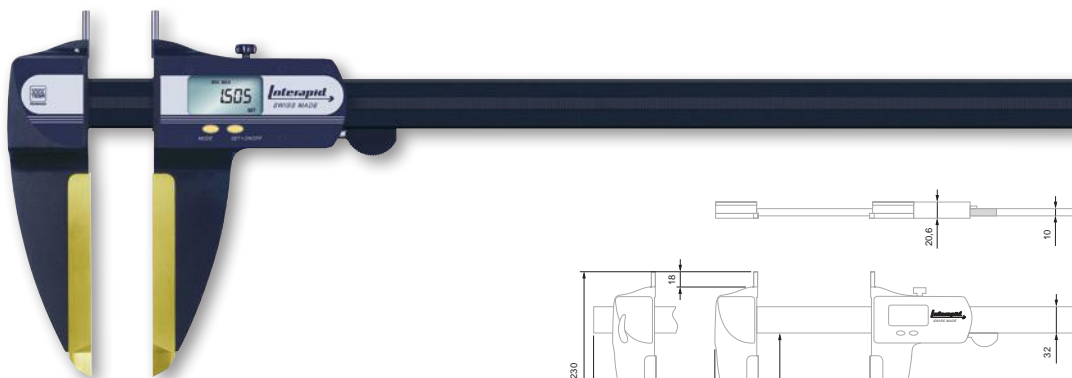
DIGITAL CALIPERS

For measurements up to 3000 mm.

INTERAPID Light

Measuring functions

- Zero setting
- Metric/Inch conversion
- Hold function for displayed value
- OPTO-RS data transfer, mono- and bi-directional
- Two adjustable points of origin (Ref I / Ref II)
- PRESET function
- MIN/MAX mode
- Two limit values for classification



- DIN 862 and factory standard
- 0,01 mm / 0.0005 in
- LCD, 8,5 mm
- Floating zero
- mm / in conversion
- Scale with incremental divisions, inductive
- > 1,5 m/s
- Hardened steel jaws for external dimensions. Also with TiN coating, thickness to 7 mm. Tungsten carbide inserts for internal dimensions, 5 mm dia. Beam with light alloy hollow section, supported by hardened stainless steel rods.
- 3V lithium battery, CR2032
- ≈ 1,5 a (≈ 3300 h / a)
- 10°C to 60°C
- 5°C to 40°C
- IP40 (IEC 60529)
- EN 50081-1
EN 50082-1
- Packed suitable for shipping
- Inspection report for models up to 1500 mm
- Declaration of conformity
- Serial number identification
- Display lock
- RS232 Opto-coupled, mono- and bi-directional
- See table

No	A mm	μm	μm	B Fixed	C Mobile	kg
00590061	330	30	20	618	-	1,1
00590062	630	40	20	918	-	1,3
00590063	1025	60	20	-	1306	1,6
00590064	1525	150	20	-	1806	2
00590065	2040	250	30	-	2306	2,3
00590066	2545	350	30	-	2806	2,6
00590067	3050	450	40	-	3306	3

OPTIONAL ACCESSORIES:

01961000	Lithium battery, 3V, CR2032
00560095	Insert-holder, M2,5 thread
00560096	60° conical steel pin in hardened steel
00560097	Holder for dial gauge inserts L = 28 mm
00560098	Holder for dial gauge inserts L = 58 mm
00560099	Wooden case for INTERAPID Light 300 mm
00560100	Wooden case for INTERAPID Light 600 mm
00560101	Wooden case for INTERAPID Light 1000 mm
00560102	Wooden case for INTERAPID Light 1500 mm