



# Grid coupling

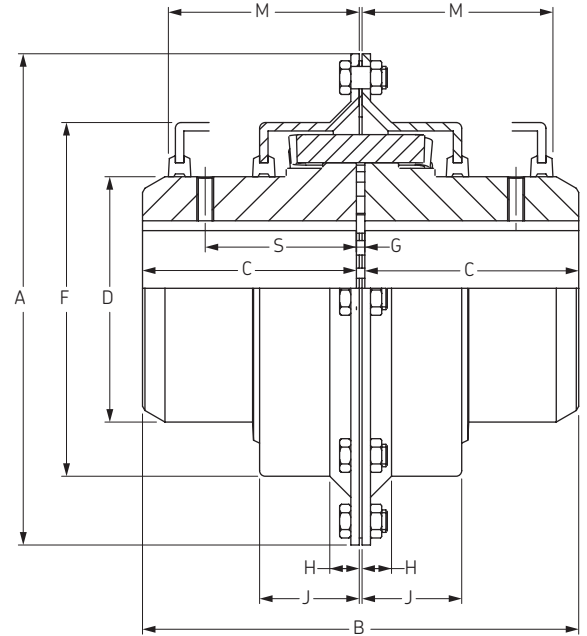
Vertical split cover

- ▶ ..... Belts
- ▶ ..... Chains
- ▶ ..... Couplings
- ▶ ..... Bushings and Hubs
- ▶ ..... Sprockets
- ▶ ..... Pulleys
- ▶ ..... Smart tools

## Designations

Size	Hub Designations	Grid Designations	Cover Designation	Assembly Kit
1020	PHE 1020TGRSB	PHE 1020TGGRID	PHE 1020TGVCOVER	PHE 1020TGVKIT
1030	PHE 1030TGRSB	PHE 1030TGGRID	PHE 1030TGVCOVER	PHE 1030TGVKIT
1040	PHE 1040TGRSB	PHE 1040TGGRID	PHE 1040TGVCOVER	PHE 1040TGVKIT
1050	PHE 1050TGRSB	PHE 1050TGGRID	PHE 1050TGVCOVER	PHE 1050TGVKIT
1060	PHE 1060TGRSB	PHE 1060TGGRID	PHE 1060TGVCOVER	PHE 1060TGVKIT
1070	PHE 1070TGRSB	PHE 1070TGGRID	PHE 1070TGVCOVER	PHE 1070TGVKIT
1080	PHE 1080TGRSB	PHE 1080TGGRID	PHE 1080TGVCOVER	PHE 1080TGVKIT
1090	PHE 1090TGRSB	PHE 1090TGGRID	PHE 1090TGVCOVER	PHE 1090TGVKIT
1100	PHE 1100TGRSB	PHE 1100TGGRID	PHE 1100TGVCOVER	PHE 1100TGVKIT
1110	PHE 1110TGRSB	PHE 1110TGGRID	PHE 1110TGVCOVER	PHE 1110TGVKIT
1120	PHE 1120TGRSB	PHE 1120TGGRID	PHE 1120TGVCOVER	PHE 1120TGVKIT
1130	PHE 1130TGRSB	PHE 1130TGGRID	PHE 1130TGVCOVER	PHE 1130TGVKIT
1140	PHE 1140TGRSB	PHE 1140TGGRID	PHE 1140TGVCOVER	PHE 1140TGVKIT
1150	PHE 1150TGRSB	PHE 1150TGGRID	PHE 1150TGVCOVER	PHE 1150TGVKIT
1160	PHE 1160TGRSB	PHE 1160TGGRID	PHE 1160TGVCOVER	PHE 1160TGVKIT
1170	PHE 1170TGRSB	PHE 1170TGGRID	PHE 1170TGVCOVER	PHE 1170TGVKIT
1180	PHE 1180TGRSB	PHE 1180TGGRID	PHE 1180TGVCOVER	PHE 1180TGVKIT
1190	PHE 1190TGRSB	PHE 1190TGGRID	PHE 1190TGVCOVER	PHE 1190TGVKIT
1200	PHE 1200TGRSB	PHE 1200TGGRID	PHE 1200TGVCOVER	PHE 1200TGVKIT

A complete coupling consists of 2 hubs, 1 grid and 1 cover.



## Physical characteristics

Size	KW per 100 rpm	Rated torque Nm	Max speed rpm	Bore diameter		Dimensions (mm)								G (mm)			Coupling weight kg	Lubricant weight kg	
				Min	Max	A	B	C	D	J	F	H	M	S	Min	Normal			Max
1020	0.51	48	6000	12	30	111	98.0	47.5	39.7	24	64	10	48	39	1.5	3.0	4.5	2	0.03
1030	1.44	135	6000	12	36	121	98.0	47.5	49.2	25	73	10	48	39	1.5	3.0	4.5	2.6	0.04
1040	2.40	226	6000	12	44	128	104.6	50.8	57.1	26	83	10	51	40	1.5	3.0	4.5	3.4	0.05
1050	4.20	395	6000	12	50	148	123.6	60.3	66.7	31	99	12	60	45	1.5	3.0	4.5	5.4	0.05
1060	6.60	622	6000	19	57	162	130.0	63.5	76.2	32	111	13	64	52	1.5	3.0	4.5	7.3	0.09
1070	9.69	904	5500	19	65	173	155.4	76.2	87.3	34	124	13	67	54	1.5	3.0	4.5	10	0.12
1080	20.13	1865	4750	27	79	200	180.8	88.9	104.8	44	149	13	89	65	1.5	3.0	6.0	18	0.17
1090	35.79	3390	4000	27	95	232	199.8	98.4	123.8	48	168	13	95	72	1.5	3.0	6.0	25	0.25
1100	60.40	5707	3250	41	107	267	245.7	120.6	142.0	60	197	16	121	-	1.5	4.5	9.5	42	0.43
1110	90.23	8477	3000	41	117	286	258.5	127.0	160.3	64	216	16	124	-	1.5	4.5	9.5	54	0.51
1120	131.99	12433	2700	60	136	319	304.4	149.2	179.4	73	244	17	143	-	1.5	6.0	12.5	81	0.73
1130	191.64	18084	2400	66	165	378	329.8	161.9	217.5	75	282	21	146	-	1.5	6.0	12.5	122	0.91
1140	275.91	25996	2200	66	184	416	371.6	182.8	254.0	78	321	21	155	-	1.5	6.0	12.5	180	1.13
1150	384.04	36168	2000	108	203	476	371.8	182.9	269.2	107	374	19	203	-	1.5	6.0	12.5	230	1.95
1160	539.89	50862	1750	120	228	533	402.2	198.1	304.8	114	424	30	216	-	1.5	6.0	12.5	321	2.81
1170	719.60	67816	1600	133	279	584	437.8	215.9	355.6	119	474	30	226	-	1.5	6.0	12.5	448	3.49
1180	997.75	94037	1400	152	311	630	483.6	238.8	393.7	130	-	-	-	-	1.5	6.0	12.5	591	3.76
1190	1319.89	124328	1300	152	339	685	524.2	259.1	436.9	135	-	-	-	-	1.5	6.0	12.5	761	4.40
1200	1799.37	169538	1100	177	361	737	564.8	279.4	497.8	145	-	-	-	-	1.5	6.0	12.5	1021	5.62