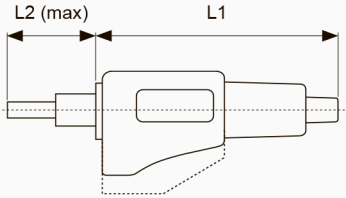


Digital micrometer heads

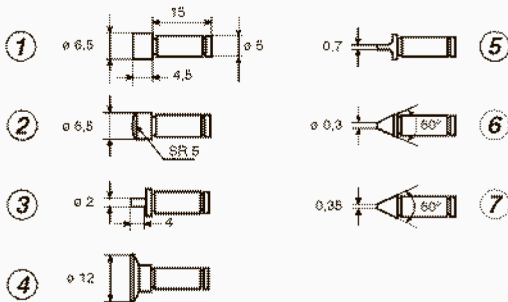
Several digital micrometer heads with different possibilities.

- Measuring range: 0-50 mm.
- Resolution: 0.001 mm.
- Accuracy: ± 0.003 mm
(909.900/901: ± 0.005 mm).
- mm/inch conversion.
- ABS/INC switchable.
- On/off switch.
- Automatic switch-off.

- Memory absolute measuring value.
- Preset for ABS measurement.
- Friction thimble.
- Power supply: 1 battery type V357.



Item No.	Measuring range/mm	Dimensions/mm spindle clamping		L1	L2	Description measuring faces
With IP65 protection:						
909.897	0-25	$\phi 6.5$	$\phi 12 \times 17.5$	111	48	flat, tungsten carbide measuring face
909.898	0-25	$\phi 6.5$	$\phi 12 \times 17.5$	111	48	spherical
909.899	0-25	$\phi 6.5$	$\phi 12 \times 17.5$	111	48	flat, non-rotating tip
909.900	0-50	$\phi 7.5$	$\phi 12 \times 35.5$	136	88	flat, tungsten carbide measuring face
909.901	0-50	$\phi 7.5$	$\phi 12 \times 35.5$	136	88	spherical
With non-rotating spindle:						
909.902	0-25	$\phi 7.5$	$\phi 12 \times 10$	112	51	flat, tungsten carbide measuring face
909.903	0-25	$\phi 7.5$	$\phi 12 \times 10$	112	51	interchangeable measuring inserts
906.297	0-25	$\phi 6.5$	$\phi 12 \times 17.5$	98	48	tungsten carbide measuring face
906.298	0-25	$\phi 8$	$\phi 12 \times 20$	98	50	tungsten carbide measuring face
Option:						
836.535	Spare battery					



No.	Item No.	Description measuring faces
Measuring inserts, per pair:		
①	906.788	flat
②	906.789	spherical
③	906.790	small
④	906.791	disc
⑤	906.792	knife/flat
⑥	906.793	point
⑦	906.794	knife
	906.795	Set of 7 pairs