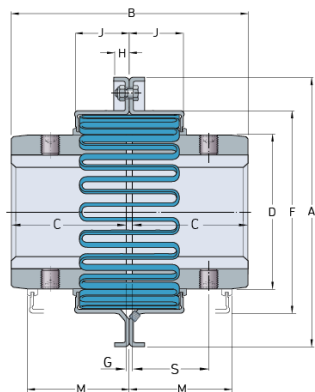


# PHE 1100TGRID



Size	1100
Nominal torque (Nm)	6280
Max speed (r/min)	3250
Min. bore (mm)	41
Max. bore (mm)	107
Weight (kg)	0.94

© SKF is a registered trademark of the SKF Group

© SKF Group 2012

The contents of this publication are the copyright of the publisher and may not be reproduced (even extracts) unless prior written permission is granted. Every care has been taken to ensure the accuracy of the information contained in this publication but no liability can be accepted for any loss or damage whether direct, indirect or consequential arising out of the use of the information contained herein.