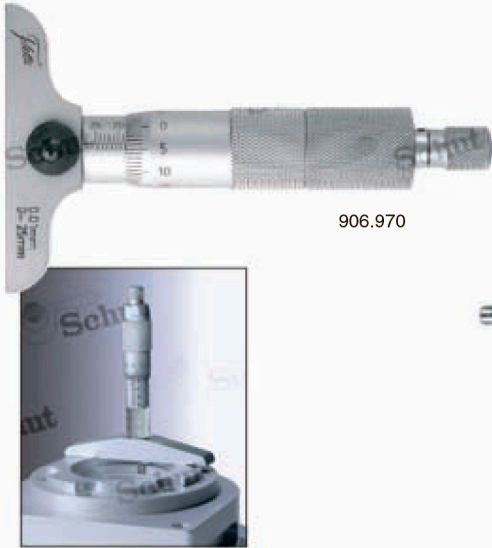


Depth micrometers

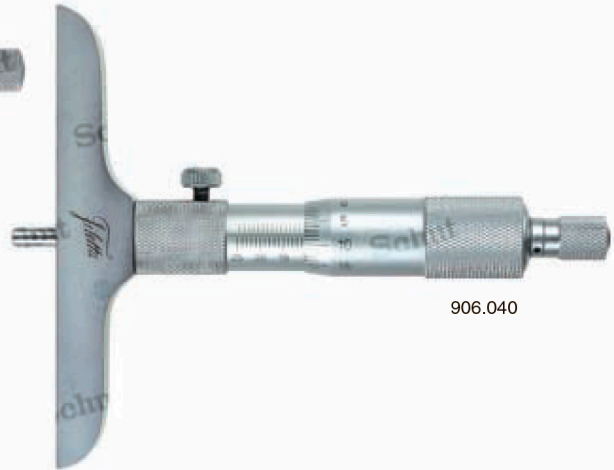
Depth micrometers with interchangeable, spherical or flat rods. With the flat rods mainly flat and spherical surfaces can be measured very accurately. The spherical rods are especially suitable for beveled and hollow surfaces. The high accuracy of the rods makes recalibration after exchanging the rods unnecessary. Two models with different base lengths available.

- Measuring range: 0- 300 mm.
- Graduation: 0.01 mm.

- Measuring rods: $\varnothing 4.5$ mm.
- Locking screw.
- DIN 863 T2.



906.970



906.040

Model with spherical rods especially for hollow and beveled surfaces

Item No.	Item No.	Measuring range/mm	Accuracy mm	Number of rods
Base 63 mm:	Base 101.5 mm:			
906.964	906.040	0- 25	± 0.005	1
906.965	906.039	0- 50	± 0.005	2
906.966	906.041	0- 100	± 0.006	4
906.967	906.042	0- 150	± 0.007	6
906.968	906.043	0- 200	± 0.008	8
906.969	906.044	0- 300	± 0.009	12

Model with flat rods especially for flat and spherical surfaces

Item No.	Item No.	Measuring range/mm	Accuracy mm	Number of rods
Base 63 mm:	Base 101.5 mm:			
906.970	906.976	0- 25	± 0.005	1
906.971	906.977	0- 50	± 0.005	2
906.972	906.978	0- 100	± 0.006	4
906.973	906.979	0- 150	± 0.007	6
906.974	906.980	0- 200	± 0.008	8
906.975	906.981	0- 300	± 0.009	12