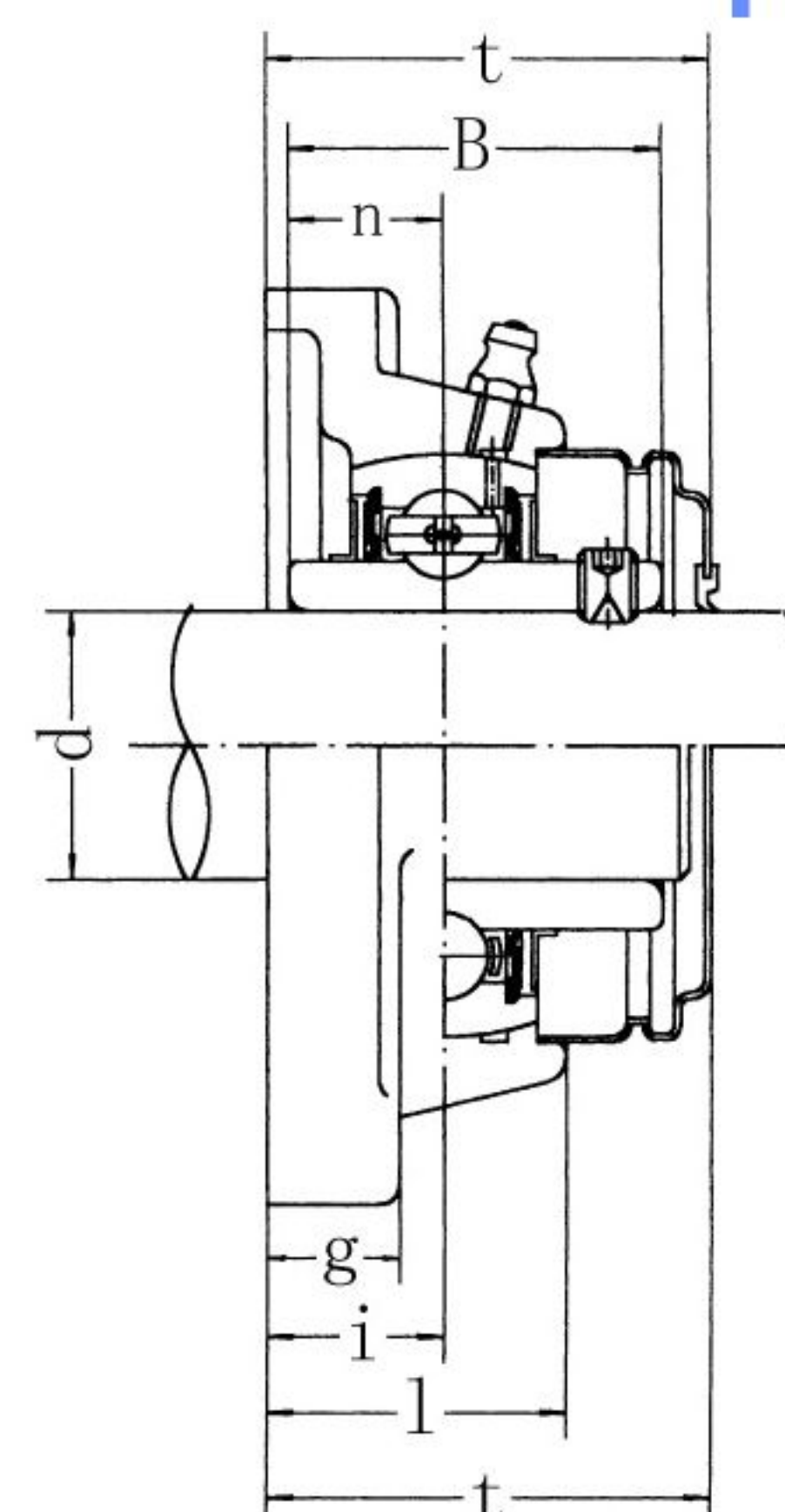
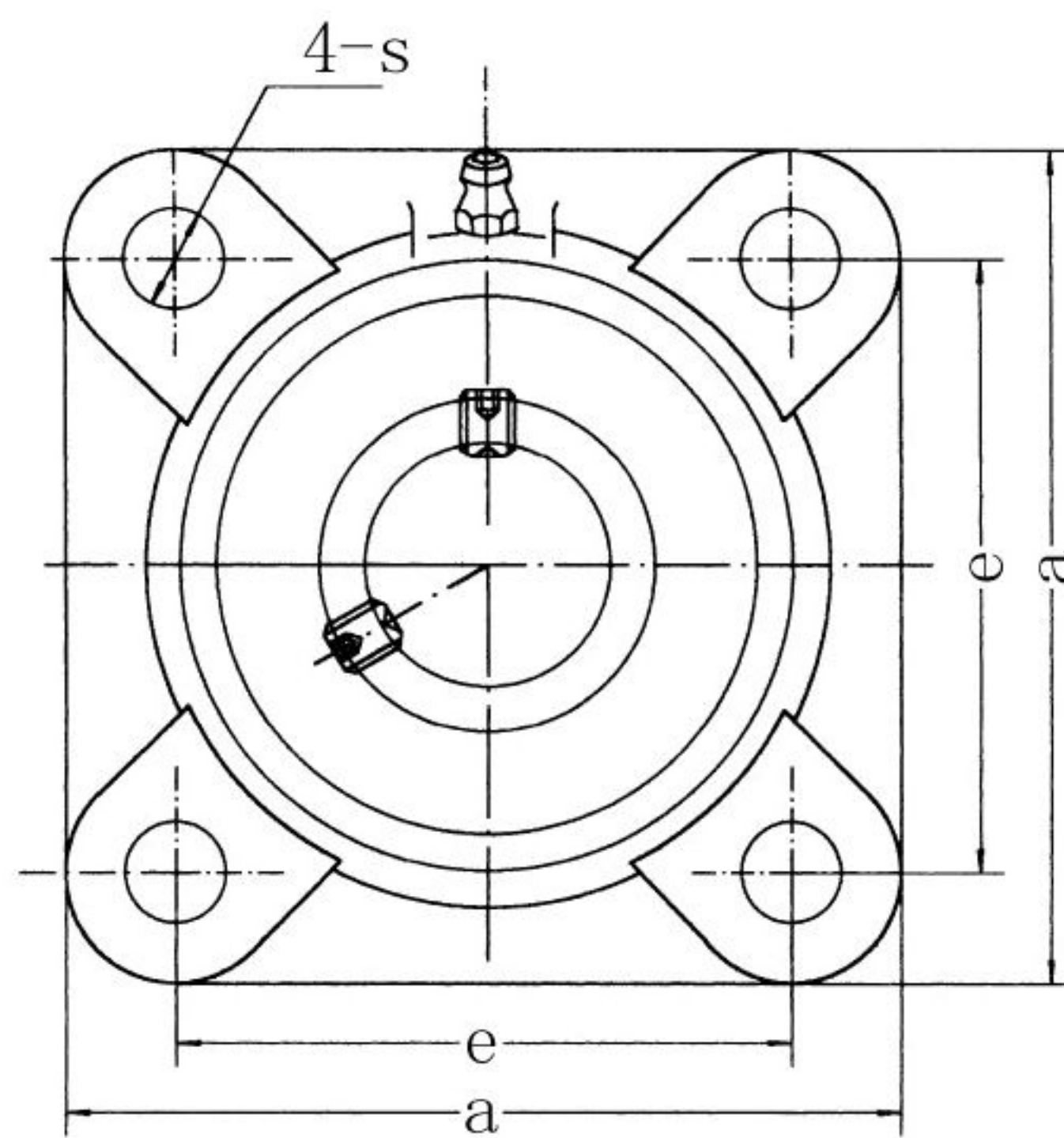
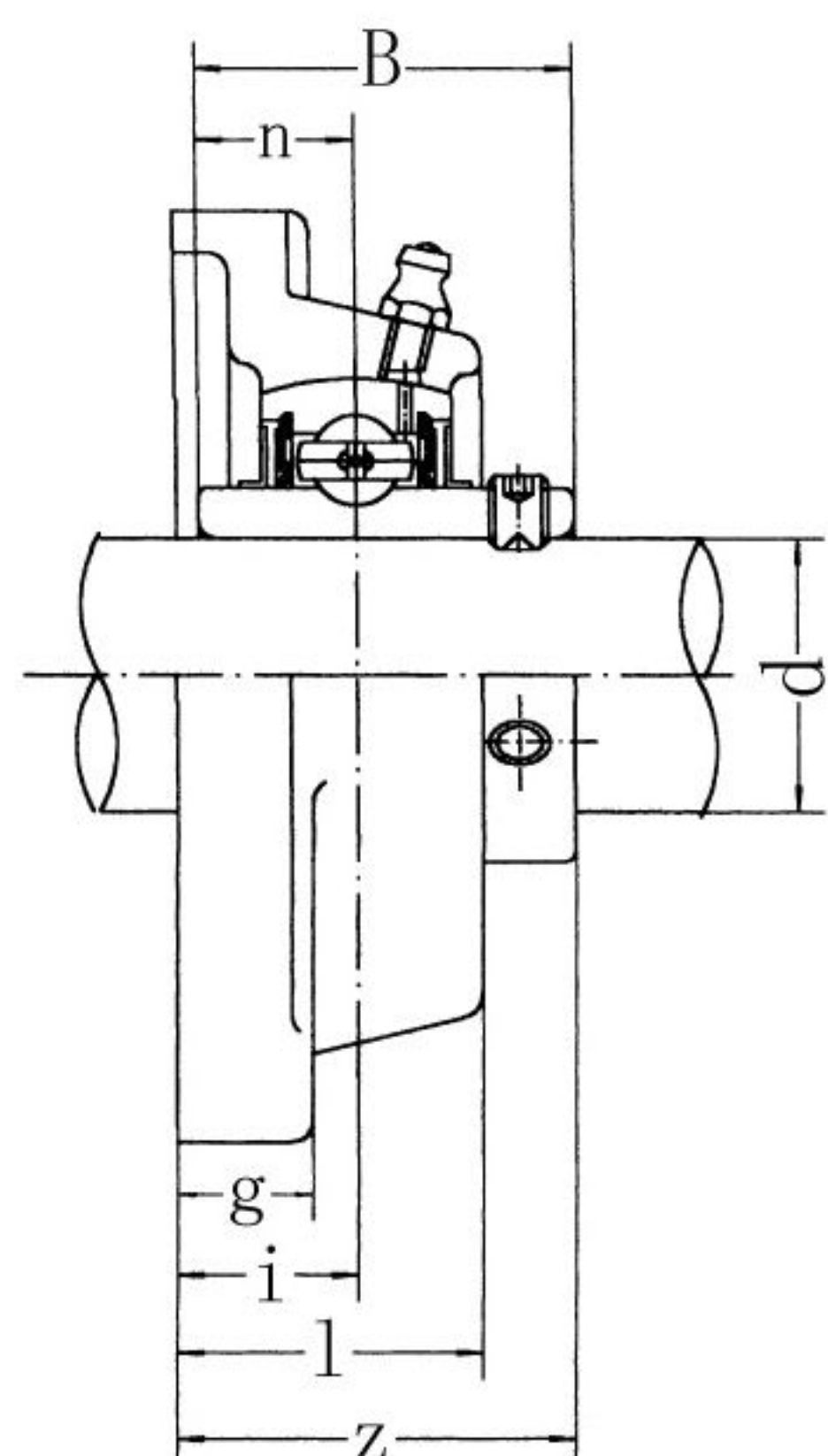


UCF2 (Normal-duty)
Flange Units (Square)

 UCF-C₁(D₁)

Unit No.	Dimensions ^{mm} / _{in.}											Bolt Size ^{mm} / _{inch}	Bearing No.	Housing No.	Weight (kg)
	d	a	e	i	g	l	s	z	t	B	n				
UCF201 UCF201-8	12 1/2	86 3-3/8	64 2-33/64	15 19/32	12 15/32	25.5 1	12 15/32	33.3 1-5/16	37.5 1-31/64	31 1.2205	12.7 0.500	M10 3/8	UC201 UC201-8	F204	0.60 0.59
UCF202 UCF202-9 UCF202-10	15 9/16 5/8	86 3-3/8	64 2-33/64	15 19/32	12 15/32	25.5 1	12 15/32	33.3 1-5/16	37.5 1-31/64	31 1.2205	12.7 0.500	M10 3/8	UC202 UC202-9 UC202-10	F204	0.59 0.59 0.59
UCF203 UCF203-11	17 11/16	86 3-3/8	64 2-33/64	15 19/32	12 15/32	25.5 1	12 15/32	33.3 1-5/16	37.5 1-31/64	31 1.2205	12.7 0.500	M10 3/8	UC203 UC203-11	F204	0.58 0.57
UCF204 UCF204-12	20 3/4	86 3-3/8	64 2-33/64	15 19/32	12 15/32	25.5 1	12 15/32	33.3 1-5/16	37.5 1-31/64	31 1.2205	12.7 0.500	M10 3/8	UC204 UC204-12	F204	0.56 0.56
UCF205 UCF205-13 UCF205-14 UCF205-15 UCF205-16	25 13/16 7/8 15/16 1	95 3-3/4	70 2-3/4	16 5/8	14 35/64	27 1-1/16	12 15/32	35.8 1-13/32	40 1-9/16	34.1 1.3425	14.3 0.563	M10 3/8	UC205 UC205-13 UC205-14 UC205-15 UC205-16	F205	0.80 0.84 0.83 0.81 0.80
UCF206 UCF206-17 UCF206-18 UCF206-19 UCF206-20	30 1-1/16 1-1/8 1-3/16 1-1/4	108 4-1/4	83 3-17/64	18 45/64	14 35/64	31 1-7/32	12 15/32	40.2 1-19/32	44.5 1-3/4	38.1 1.5000	15.9 0.626	M10 3/8	UC206 UC206-17 UC206-18 UC206-19 UC206-20	F206	1.12 1.15 1.14 1.12 1.11
UCF207 UCF207-20 UCF207-21 UCF207-22 UCF207-23	35 1-1/4 1-5/16 1-3/8 1-7/16	117 4-39/64	92 3-5/8	19 3/4	16 5/8	34 1-11/32	14 35/64	44.4 1-3/4	48.5 1-29/32	42.9 1.6890	17.5 0.689	M12 7/16	UC207 UC207-20 UC207-21 UC207-22 UC207-23	F207	1.46 1.52 1.49 1.46 1.43
UCF208 UCF208-24 UCF208-25	40 1-1/2 1-9/16	130 5-1/8	102 4-1/64	21 53/64	16 5/8	36 1-27/64	16 5/8	51.2 2-1/64	55.5 2-3/16	49.2 1.9370	19 0.748	M14 1/2	UC208 UC208-24 UC208-25	F208	1.84 1.88 1.85
UCF209 UCF209-26 UCF209-27 UCF209-28	45 1-5/8 1-11/16 1-3/4	137 5-13/32	105 4-9/64	22 55/64	18 23/32	38 1-1/2	16 5/8	52.2 2-1/16	56.5 2-7/32	49.2 1.9370	19 0.748	M14 1/2	UC209 UC209-26 UC209-27 UC209-28	F209	2.15 2.25 2.21 2.17
UCF210 UCF210-29 UCF210-30 UCF210-31 UCF210-32	50 1-13/16 1-7/8 1-15/16 2	143 5-5/8	111 4-3/8	22 55/64	18 23/32	40 1-9/16	16 5/8	54.6 2-5/32	59.5 2-11/32	51.6 2.0315	19 0.748	M14 1/2	UC210 UC210-29 UC210-30 UC210-31 UC210-32	F210	2.42 2.54 2.49 2.44 2.40
UCF211 UCF211-32 UCF211-33 UCF211-34 UCF211-35	55 2 2-1/16 2-1/8 2-3/16	162 6-3/8	130 5-1/8	25 63/64	20 25/32	43 1-11/16	19 3/4	58.4 2-5/16	63 2-31/64	55.6 2.1890	22.2 0.874	M16 5/8	UC211 UC211-32 UC211-33 UC211-34 UC211-35	F211	3.31 3.46 3.40 3.35 3.29
UCF212 UCF212-36 UCF212-37 UCF212-38 UCF212-39	60 2-1/4 2-5/16 2-3/8 2-7/16	175 6-57/64	143 5-5/8	29 1-9/64	20 25/32	48 1-57/64	19 3/4	68.7 2-45/64	73.5 2-57/64	65.1 2.5630	25.4 1.000	M16 5/8	UC212 UC212-36 UC212-37 UC212-38 UC212-39	F212	4.28 4.41 4.33 4.26 4.19
UCF213 UCF213-40 UCF213-41	65 2-1/2 2-9/16	187 7-23/64	149 5-55/64	30 1-3/16	22 55/64	50 1-31/32	19 3/4	69.7 2-3/4	74.5 2-15/16	65.1 2.5630	25.4 1.000	M16 5/8	UC213 UC213-40 UC213-41	F213	4.99 5.08 4.99
UCF214 UCF214-42 UCF214-43 UCF214-44	70 2-5/8 2-11/16 2-3/4	193 7-19/32	152 5-63/64	31 1-7/32	22 55/64	54 2-1/8	19 3/4	75.4 2-31/32	81.5 3-13/64	74.6 2.9370	30.2 1.189	M16 5/8	UC214 UC214-42 UC214-43 UC214-44	F214	5.85 6.06 5.96 5.86
UCF215 UCF215-45 UCF215-46 UCF215-47 UCF215-48	75 2-13/16 2-7/8 2-15/16 3	200 7-7/8	159 6-17/64	34 1-11/32	22 55/64	56 2-7/32	19 3/4	78.5 3-3/32	83.5 3-9/32	77.8 3.0630	33.3 1.311	M16 5/8	UC215 UC215-45 UC215-46 UC215-47 UC215-48	F215	6.91 7.16 7.05 6.94 6.82
UCF216 UCF216-49 UCF216-50 UCF216-51	80 3-1/16 3-1/8 3-3/16	208 8-3/16	165 6-1/2	34 1-11/32	22 55/64	58 2-9/32	23 29/32	83.3 3-9/32	88.5 3-31/64	82.6 3.2520	33.3 1.311	M20 3/4	UC216 UC216-49 UC216-50 UC216-51	F216	7.50 7.68 7.55 7.42
UCF217 UCF217-52 UCF217-53 UCF217-55	85 3-1/4 3-5/16 3-7/16	220 8-21/23	175 6-57/64	36 1-27/64	24 15/16	63 2-15/32	23 29/32	87.6 3-7/16	92.6 3-41/64	85.7 3.3740	34.1 1.343	M20 3/4	UC217 UC217-52 UC217-53 UC217-55	F217	9.66 9.88 9.74 9.45
UCF218 UCF218-56	90 3-1/2	235 9-1/4	187 7-23/64	40 1-37/64	24 15/16	68 2-11/16	23 29/32	96.3 3-25/32	101.5 4	96 3.7795	39.7 1.5630	M20 3/4	UC218 UC218-56	F218	12.06 12.17