

# Hygienic Products

## Hygienic, Fittings, Valves & Hose Assemblies

We are pleased to offer our customers one of the most extensive ranges for Food, Beverage, Pharmaceutical and Fine Chemical applications.

- Fittings & Clamps
- Gauges
- Valves
- Actuation
- Custom Fabrication
- Hose Assemblies



The Dixon range compliments the Holedall Hygienic and Sanbrew/Sanfood Hose range enabling us to offer a complete package of Fittings and Hose assemblies.

Whatever your requirement please call for the latest availability. Many items are available from stock or are made to order on very short lead times.

If you have special product or delivery requirements we have extensive design and manufacturing facilities which can be used to satisfy your requirements.

### ELASTOMER AND THERMOPLASTIC CHARACTERISTICS

MATERIAL	BUNA	EPDM	VITON®	PTFE	SILICONE
<b>Temperature</b>	-50°C to 120°C	-48°C to 135°C	-30°C to 200°C	-35°C to 140°C	-35°C to 230°C
<b>Acid</b>	Good	Good to Excellent	Good to Excellent	Good to Excellent	Poor to Good
<b>Alkali</b>	Fair to Good	Good to Excellent	Poor to Good	Excellent	Poor to Fair
<b>Fats/Oils</b>	Good to Excellent	Poor*	Good to Excellent	Excellent	Poor to Good
<b>Taste</b>	Good	Good	Good	Excellent	Good
<b>Odour</b>	Good	Good	Good	Excellent	Good
<b>Abrasion Resistance</b>	Excellent	Good	Good	Fair	Good
<b>Compression Set</b>	Good	Fair	Good to Excellent	Cold Flows	Good to Excellent

## Product Specifications

<b>Size Range:</b>	1/2" to 12" O.D.
<b>Materials:</b>	G-304 Stainless Steel. R-316L Stainless Steel.
<b>Finish:</b>	3A and UK Dairy as standard. Other finishes available.

Note: all non-wetted parts are in 304. Example hex nuts, clamps, pipe hangers, actuator castings.

### FINISH DESIGNATIONS FOR TUBING AND FITTINGS

Finish Number	Finish Conditions
1	Mill Finish (bright annealed, pickled, sand blasted or tumbled).
3	w 180 grit inside diameter (ID) only.
5	Polished 150 grit outside diameter (OD) only. UK Dairy Standard.
7	Polished 180 grit outside / inside diameter (OD/ID).
3A	Polished 150 grit outside diameter (OD), 180 grit inside diameter (ID).

### FINISH SPECIFICATIONS

Process	RA micro inches	RA microns	ISO Designation
150 grit	30 - 35	0.720 - 0.875	N4
150 grit & Electropolish	12 - 20	0.300 - 0.500	
180 grit	20 - 25	0.500 - 0.625	
180 grit & Electropolish	10 - 16	0.250 - 0.400	
240 grit	15 - 20	0.375 - 0.500	N5
240 grit & Electropolish	8 - 12	0.200 - 0.300	
340 grit	8 - 12	0.200 - 0.300	N6
340 grit & Electropolish	6 - 12	0.150 - 0.300	

Note: Additional Improvements to the surface finish require buffing and further electropolishing.

The effect is to improve the existing surface by about 50%.

### Ordering Information and Part Numbers.

Please refer to the specific product page.

Specify quantity, Size (1/2" to 12 inch, equates 50 to 1200 in our part number system.)

Specify Material either 304 (**G**) or 316L (**R**) Stainless Steel.

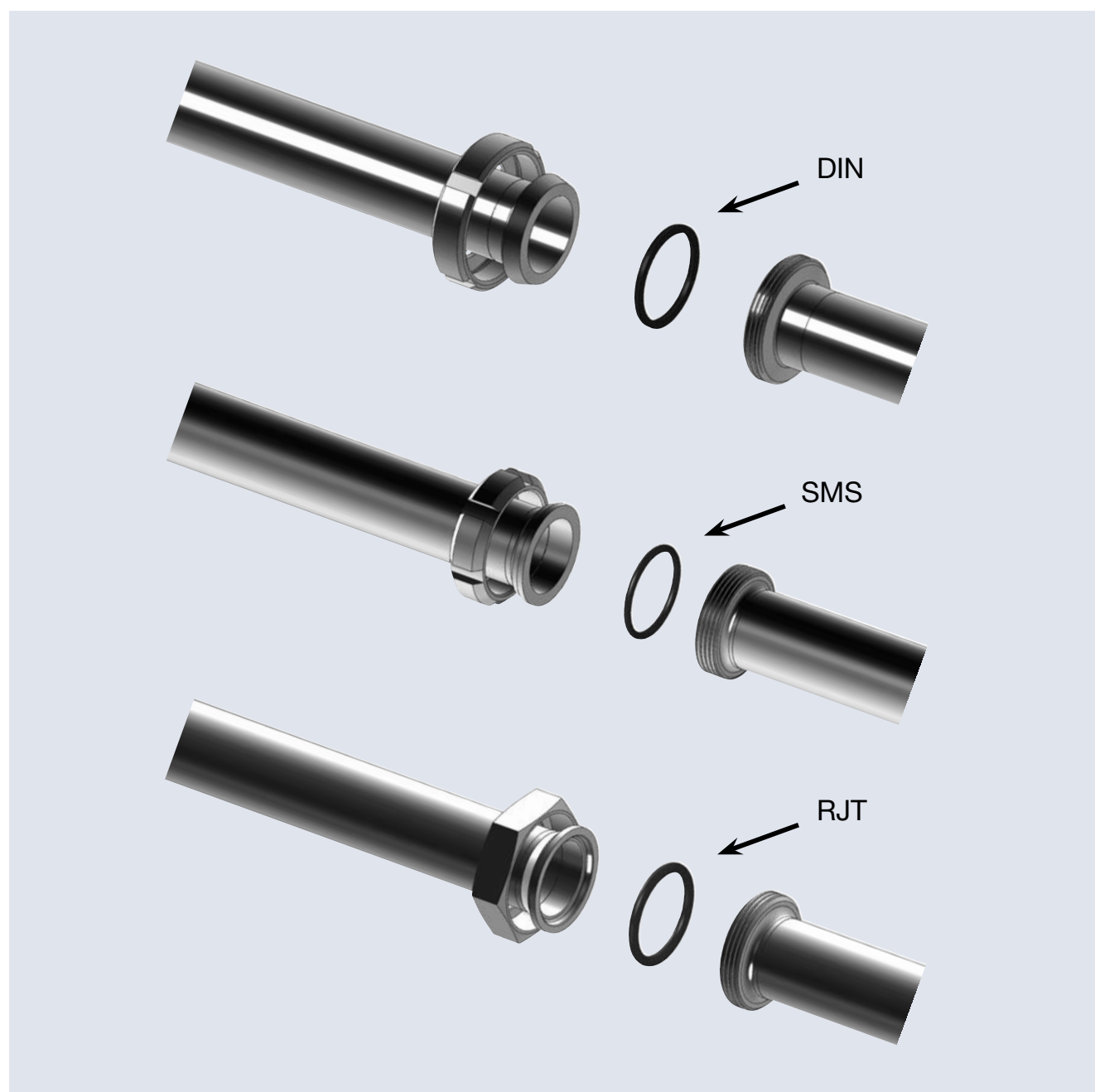
Examples: 5 off, RJT **1 inch** Hex Nuts in 304 Stainless Steel: Part number 13H-**G100**RJT.

10 off, IDF **3 inch** Weld Liner in 316 Stainless Steel: Part number 14A-**R300**IDF.



## Hygienic Products

### European Connections



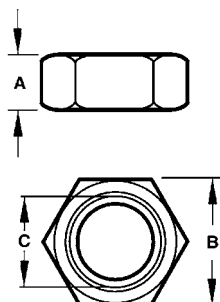
G

#### Product Specifications

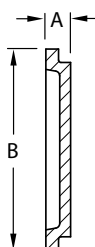
- Size range:** • 1" - 4" OD
- Materials:**
- G = 304 stainless steel
  - R = 316 stainless steel
- Finish:** • 3A sanitary finish ID and OD

# Hygienic Products

## RJT BS:4825



RJT HEX NUT RJT-13H				
PART NO.	SIZE	A (mm)	B (mm)	C (mm)
13H-G100RJT	1"	22.20	50.8	42.6* 8T
13H-G150RJT	1 1/2"	22.20	65.0	55.3* 6T
13H-G200RJT	2"	22.20	79.3	68.3* 6T
13H-G250RJT	2 1/2"	22.20	92.0	80.9* 6T
13H-G300RJT	3"	22.20	104.7	93.6* 6T
13H-G400RJT	4"	22.20	130.0	119.1* 6T

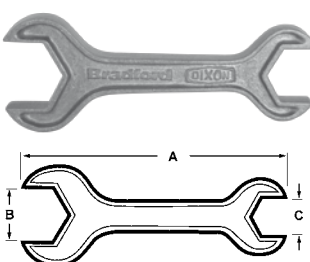


RJT BLANK CAP - 13RBN	
PART NO.	SIZE
13RBN-G100RJT	1"
13RBN-G150RJT	1 1/2"
13RBN-G200RJT	2"
13RBN-G250RJT	2 1/2"
13RBN-G300RJT	3"
13RBN-G400RJT	4"

Please note: Blanks can only be used with a matching nut

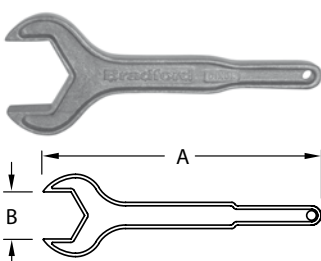


RJT HEX BLANK NUT WITH CHAIN -13HBN	
PART NO.	SIZE
13HBN-G100RJT	1"
13HBN-G150RJT	1 1/2"
13HBN-G200RJT	2"
13HBN-G250RJT	2 1/2"
13HBN-G300RJT	3"
13HBN-G400RJT	4"



**EXCLUSIVE**

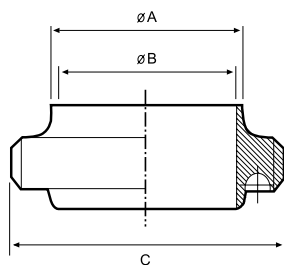
RJT DOUBLE ENDED SPANNER				
PART NO.	SIZE	A	B	C
RJT-150100SP	1 1/2" x 1"	305	65	50.8
RJT-200150SP	2" x 1 1/2"	356	79.3	65
RJT-250200SP	2 1/2" x 2"	419	92	79.3



RJT SPANNER			
PART NO.	SIZE	A	B
RJT-100SP	1"	2.00	10.5
RJT-150SP	1 1/2"	2.56	12.0
RJT-200SP	2"	3.12	14.0
RJT-250SP	2 1/2"	3.62	16.3
RJT-300SP	3"	4.12	18.5
RJT-400SP	4"	5.12	19.5

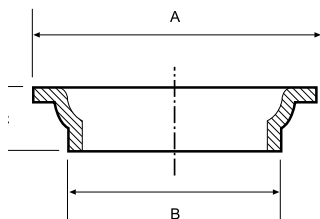


# Hygienic Products



## RJT WELDING MALE RJT-15

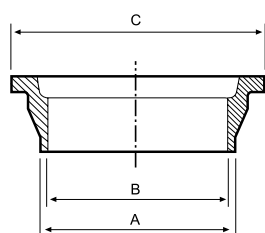
PART NO.	SIZE	A (mm)	B (mm)	C (mm)
15A-R100RJT	1"	25.65	22.20	45.72
15A-R150RJT	1 1/2"	38.35	34.90	58.42
15A-R200RJT	2"	51.05	47.60	72.72
15A-R250RJT	2 1/2"	63.75	60.30	85.42
15A-R300RJT	3"	76.45	73.00	98.12
15A-R400RJT	4"	101.85	97.60	123.52



## RJT PRESSED LINER

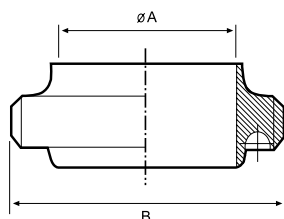
PART NO.	SIZE	A (mm)	B (mm)	C (mm)
H1RJTL	1"	41.3	32.5	12.7
H1.5RJTL	1 1/2"	54.0	45.2	12.7
H2RJTL	2"	66.7	58.0	12.7
H2.5RJTL	2 1/2"	79.4	70.6	12.7
H3RJTL	3"	92.1	83.5	12.7
H4RJTL	4"	117.5	108.3	12.7

G



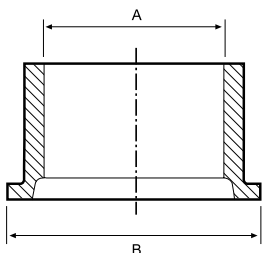
## RJT WELDING LINER RJT-14

PART NO.	SIZE	A (mm)	B (mm)	C (mm)
14A-R100RJT	1"	25.65	22.20	41.30
14A-R150RJT	1 1/2"	38.35	34.90	54.00
14A-R200RJT	2"	51.05	47.60	66.70
14A-R250RJT	2 1/2"	63.75	60.30	79.40
14A-R300RJT	3"	76.45	73.00	92.10
14A-R400RJT	4"	101.85	97.60	117.50



## RJT EXPANDING MALE 15R

PART NO.	SIZE	A (mm)	B (mm)
15R-R100RJT	1"	22.20	45.72 * 8TPI
15R-R150RJT	1 1/2"	34.90	58.42 * 8TPI
15R-R200RJT	2"	47.60	78.72 * 6TPI
15R-R250RJT	2 1/2"	60.30	85.42 * 6TPI
15R-R300RJT	3"	73.00	98.12 * 6TPI
15R-R400RJT	4"	97.60	123.52 * 6TPI



## RJT EXPANDING LINER 14R

PART NO.	SIZE	A (mm)	B (mm)
14R-R100RJT	1"	22.20	41.30
14R-R150RJT	1 1/2"	34.90	54.00
14R-R200RJT	2"	47.60	66.70
14R-R250RJT	2 1/2"	60.30	79.40
14R-R300RJT	3"	73.00	92.10
14R-R400RJT	4"	97.60	117.50

## Hygienic Products



## HOLEDALL® RJT EXTERNAL CRIMP STEM

PART NO.	SIZE
<b>FEMALE</b>	
HA0224	1"
HA0225	1½"
HA0226	2"
HA0227	2½"
HA0228	3"
HA0294	4"
<b>MALE</b>	
HA0219	1"
HA0220	1½"
HA0221	2"
HA0222	2½"
HA0223	3"
HA0293	4"

Please note: All stems are manufactured to suit inch bore hoses (not metric hose bores).

## HOLEDALL® RJT EXTERNAL CRIMP FERRULES

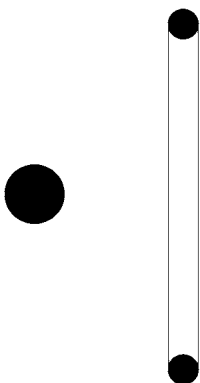
PART NO.	SIZE	HOSE OD RANGE (mm)	
		From	To
F16G-1453	1"	35.7	36.5
F16G-1500	1"	36.9	37.7
F16G-1547	1"	38.1	38.9
F16G-1594	1"	39.3	40.1
F16G-1641	1"	40.5	41.3
F24G-1969	1½"	48.4	49.6
F24G-2031	1½"	50.0	51.2
F24G-2094	1½"	51.6	52.8
F24G-2156	1½"	53.2	54.4
F32G-2531	2"	62.7	63.9
F32G-2594	2"	64.3	65.5
F32G-2656	2"	65.9	67.1
F32G-2719	2"	67.4	68.7
F40G-3070	2½"	76.1	78.1
F40G-3150	2½"	78.1	80.1
F40G-3268	2½"	81.1	83.1
F48G-3525	3"	91.7	92.9
F48G-3688	3"	92.1	93.3
F48G-3750	3"	93.6	94.9
F48G-3813	3"	95.2	96.5
F48G-3875	3"	96.8	98.0
F48G-3938	3"	98.4	99.6
F64G-3625	4"	117.5	118.7
F64G-4750	4"	119.0	120.3
F64G-4813	4"	120.6	121.9
F64G-4875	4"	122.2	123.5
F64G-4938	4"	123.8	125.0

G

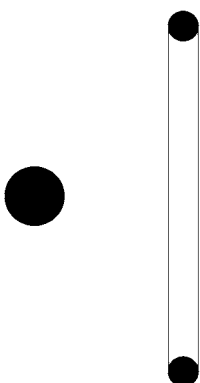




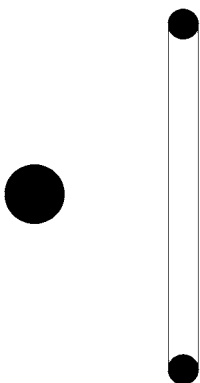
## Hygienic Products



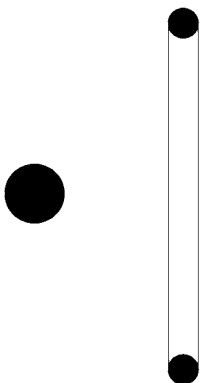
RJT O-RING / SILICONE			
PART NO.	SIZE	ID	OD
40MP-XW100RJT	1"	30	33.30
40MP-XW150RJT	1 1/2"	39.40	46.00
40MP-XW200RJT	2"	55.50	62.10
40MP-XW250RJT	2 1/2"	68.10	74.70
40MP-XW300RJT	3"	80.80	78.40
40MP-XW400RJT	4"	97.20	103.80



RJT O-RING / EPDM			
PART NO.	SIZE	ID	OD
40MP-E100RJT	1"	30	33.30
40MP-E150RJT	1 1/2"	39.40	46.00
40MP-E200RJT	2"	55.50	62.10
40MP-E250RJT	2 1/2"	68.10	74.70
40MP-E300RJT	3"	80.80	78.40
40MP-E400RJT	4"	97.20	103.80



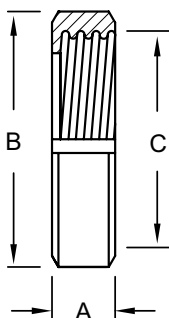
RJT O-RING / VITON®			
PART NO.	SIZE	ID	OD
40MP-SFY100RJT	1"	30	33.30
40MP-SFY150RJT	1 1/2"	39.40	46.00
40MP-SFY200RJT	2"	55.50	62.10
40MP-SFY250RJT	2 1/2"	68.10	74.70
40MP-SFY300RJT	3"	80.80	78.40
40MP-SFY400RJT	4"	97.20	103.80



RJT O-RING / BUNA			
PART NO.	SIZE	ID	OD
40MP-U100RJT	1"	30	33.30
40MP-U150RJT	1 1/2"	39.40	46.00
40MP-U200RJT	2"	55.50	62.10
40MP-U250RJT	2 1/2"	68.10	74.70
40MP-U300RJT	3"	80.80	78.40
40MP-U400RJT	4"	97.20	103.80

PLEASE CALL FOR ALL YOUR OTHER RJT REQUIREMENTS. MANY OTHER PARTS AVAILABLE.

**DIN 11851/11887, Couplings and Gaskets**



DIN ROUND NUT 11851 4 SLOTS				
PART NO.	SIZE	A (mm)	B (mm)	C (mm)
13R-G100DIN	DN25	63	52 x 1/6	21
13R-G150DIN	DN40	78	65 x 1/6	21
13R-G200DIN	DN50	92	78 x 1/6	22
13R-G250DIN	DN65	112	95 x 1/6	25
13R-G300DIN	DN80	127	110 x 1/4	30
13R-G400DIN	DN100	148	130 x 1/4	31

Please note: for sizes of 2.5" and over this nut has 6 slots



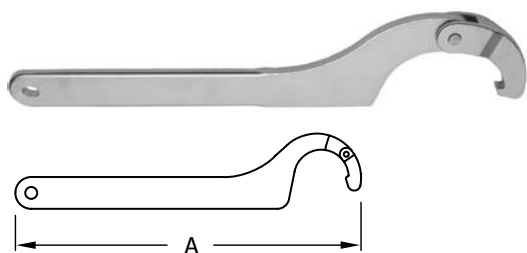
DIN BLANK	
PART NO.	SIZE
16AMP-R100DIN	DN25
16AMP-R150DIN	DN40
16AMP-R200DIN	DN50
16AMP-R250DIN	DN65
16AMP-R300DIN	DN80
16AMP-R400DIN	DN100

Please note: Blanks can only be used with a matching nut.

G



DIN BLANK NUT WITH CHAIN	
PART NO.	SIZE
13RBN-G100DIN	DN25
13RBN-G150DIN	DN40
13RBN-G200DIN	DN50
13RBN-G250DIN	DN65
13RBN-G300DIN	DN80
13RBN-G400DIN	DN100

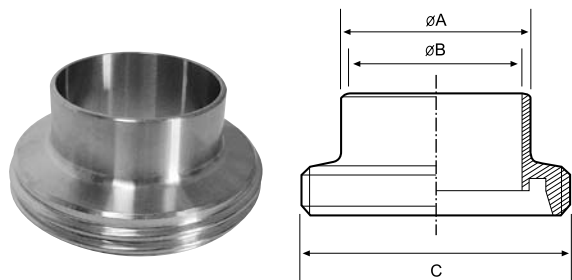


DIN SPANNER		
PART NO.	SIZE	A
DIN-SMS-60/90SP	1" - 1 1/2"	11.00
DIN-SMS-90/155SP	2" - 4"	13.00

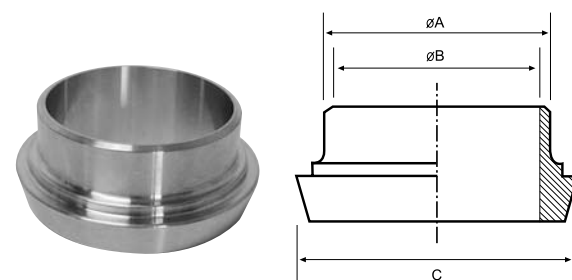
For use on DIN or SMS Rounded Nuts.



# Hygienic Products

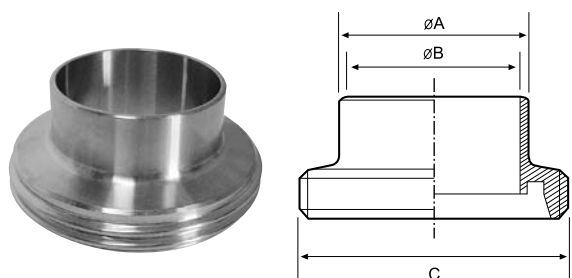


DIN WELD IMPERIAL				
PART NO.	SIZE	A (mm)	B (mm)	C (mm)
15A-R100DIN	DN25	25.4	22.1	52 x 1/6
15A-R150DIN	DN40	38.1	34.8	65 x 1/6
15A-R200DIN	DN50	50.8	47.5	78 x 1/6
15A-R250DIN	DN65	63.5	60.2	95 x 1/6
15A-R300DIN	DN80	76.2	72.9	110 x 1/4
15A-R400DIN	DN100	101.6	97.6	130 x 1/4

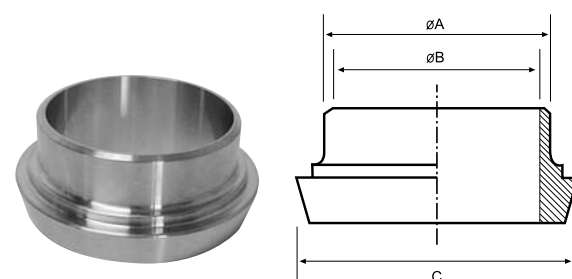


DIN WELD LINER IMPERIAL				
PART NO.	SIZE	A (mm)	B (mm)	C (mm)
14A-R100DIN	DN25	25.4	22.1	44
14A-R150DIN	DN40	38.1	34.8	56
14A-R200DIN	DN50	50.8	47.5	68
14A-R250DIN	DN65	63.5	60.2	86
14A-R300DIN	DN80	76.2	72.9	100
14A-R400DIN	DN100	101.6	97.6	121

G



DIN WELD MALE METRIC				
PART NO.	SIZE	A (mm)	B (mm)	C (mm)
15A-R100DINM	DN25	29	26	52 x 1/6
15A-R150DINM	DN40	41	38	65 x 1/6
15A-R200DINM	DN50	53	50	78 x 1/6
15A-R250DINM	DN65	70	66	95 x 1/6
15A-R300DINM	DN80	85	81	110 x 1/4
15A-R400DINM	DN100	104	100	130 x 1/4



DIN WELD LINER METRIC				
PART NO.	SIZE	A (mm)	B (mm)	C (mm)
14A-R100DINM	DN25	29	26	44
14A-R150DINM	DN40	41	38	56
14A-R200DINM	DN50	53	50	68
14A-R250DINM	DN65	70	66	86
14A-R300DINM	DN80	85	81	100
14A-R400DINM	DN100	104	100	121

## Hygienic Products



HOLEDALL® DIN EXTERNAL CRIMP STEM	
PART NO.	SIZE
<b>FEMALE</b>	
HA0239	DN25
HA0240	DN40
HA0241	DN50
HA0242	DN65
HA0243	DN80
HA0298	DN100
<b>MALE</b>	
HA0234	DN25
HA0235	DN40
HA0236	DN50
HA0237	DN65
HA0238	DN80
HA0297	DN100

Please note: All stems are manufactured to suit inch bore hoses (not metric hose bores).

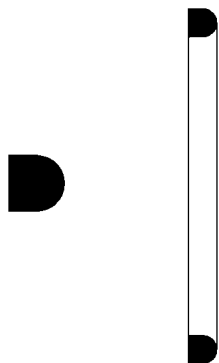
G



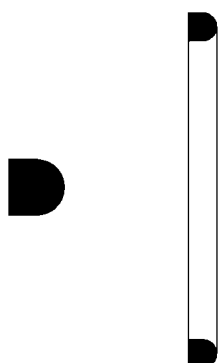
HOLEDALL® DIN EXTERNAL CRIMP FERRULES			
PART NO.	SIZE	HOSE OD RANGE (mm)	
		From	To
F16G-1453	DN25	35.7	36.5
F16G-1500	DN25	36.9	37.7
F16G-1547	DN25	38.1	38.9
F16G-1594	DN25	39.3	40.1
F16G-1641	DN25	40.5	41.3
F24G-1969	DN40	48.4	49.6
F24G-2031	DN40	50.0	51.2
F24G-2094	DN40	51.6	52.8
F24G-2156	DN40	53.2	54.4
F32G-2531	DN50	62.7	63.9
F32G-2594	DN50	64.3	65.5
F32G-2656	DN50	65.9	67.1
F32G-2719	DN50	67.4	68.7
F40G-3070	DN65	76.1	78.1
F40G-3150	DN65	78.1	80.1
F40G-3268	DN65	81.1	83.1
F48G-3525	DN80	91.7	92.9
F48G-3688	DN80	92.1	93.3
F48G-3750	DN80	93.6	94.9
F48G-3813	DN80	95.2	96.5
F48G-3875	DN80	96.8	98.0
F48G-3938	DN80	98.4	99.6
F64G-3625	DN100	117.5	118.7
F64G-4750	DN100	119.0	120.3
F64G-4813	DN100	120.6	121.9
F64G-4875	DN100	122.2	123.5
F64G-4938	DN100	123.8	125.0



## Hygienic Products

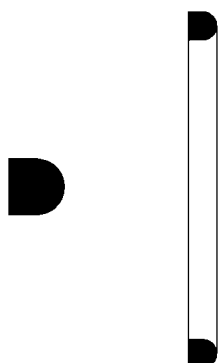


GASKET FOR DIN / SILICONE			
PART NO.	SIZE	ID	OD
40MP-S20MDIN	DN20	23	33
40MP-S25MDIN	DN25	30	40
40MP-S32MDIN	DN32	36	46
40MP-S40MDIN	DN40	42	52
40MP-S50MDIN	DN50	54	64
40MP-S65MDIN	DN65	71	81
40MP-S80MDIN	DN80	85	95
40MP-S100MDIN	DN100	104	114

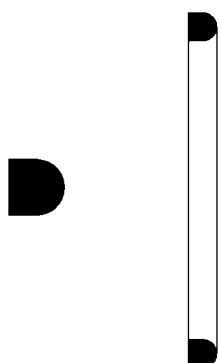


GASKET FOR DIN / EPDM			
PART NO.	SIZE	ID	OD
40MP-E20MDIN	DN20	23	33
40MP-E25MDIN	DN25	30	40
40MP-E32MDIN	DN32	36	46
40MP-E40MDIN	DN40	42	52
40MP-E50MDIN	DN50	54	64
40MP-E65MDIN	DN65	71	81
40MP-E80MDIN	DN80	85	95
40MP-E100MDIN	DN100	104	114

G



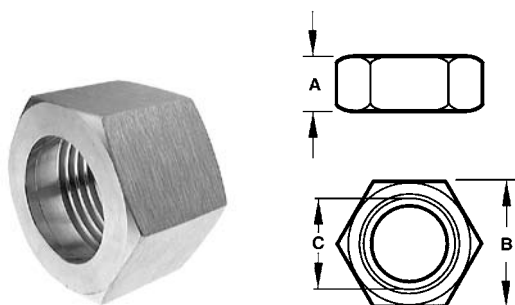
GASKET FOR DIN / VITON®			
PART NO.	SIZE	ID	OD
40MP-V20MDIN	DN20	23	33
40MP-V25MDIN	DN25	30	40
40MP-V32MDIN	DN32	36	46
40MP-V40MDIN	DN40	42	52
40MP-V50MDIN	DN50	54	64
40MP-V65MDIN	DN65	71	81
40MP-V80MDIN	DN80	85	95
40MP-V100MDIN	DN100	104	114



GASKET FOR DIN / BUNA			
PART NO.	SIZE	ID	OD
40MP-U20MDIN	DN20	23	33
40MP-U25MDIN	DN25	30	40
40MP-U32MDIN	DN32	36	46
40MP-U40MDIN	DN40	42	52
40MP-U50MDIN	DN50	54	64
40MP-U65MDIN	DN65	71	81
40MP-U80MDIN	DN80	85	95
40MP-U100MDIN	DN100	104	114

PLEASE CALL FOR ALL YOUR OTHER DIN REQUIREMENTS. MANY OTHER PARTS AVAILABLE.

IDF BS:4825 Part 4 Couplings and Gaskets



IDF HEX NUT				
PART NO.	SIZE	A (mm)	B (mm)	C (mm)
13H-G100IDF	1"	30	46	34.34 x 8T ACME
13H-G150IDF	1 1/2"	30	60	47.86 X 8T ACME
13H-G200IDF	2"	30	75	61.37 X 8T ACME
13H-G250IDF	2 1/2"	30	90	74.88 X 8T ACME
13H-G300IDF	3"	30	105	88.40 X 8T ACME
13H-G400IDF	4"	34.9	133	122.05 X 6T ACME



IDF BLANK CAP	
PART NO.	SIZE
16AMP-R100IDF	1"
16AMP-R150IDF	1 1/2"
16AMP-R200IDF	2"
16AMP-R250IDF	2 1/2"
16AMP-R300IDF	3"
16AMP-R400IDF	4"

Please note: Blanks can only be used with a matching nut.

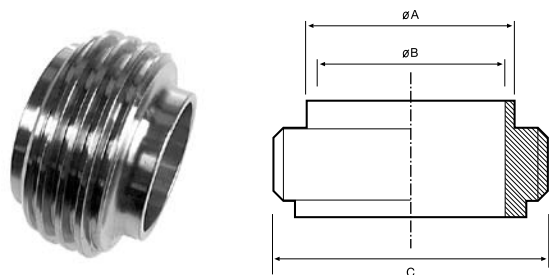


IDF BLANK NUT WITH CHAIN	
PART NO.	SIZE
13HBN-G100IDF	1"
13HBN-G150IDF	1 1/2"
13HBN-G200IDF	2"
13HBN-G250IDF	2 1/2"
13HBN-G300IDF	3"
13HBN-G400IDF	4"

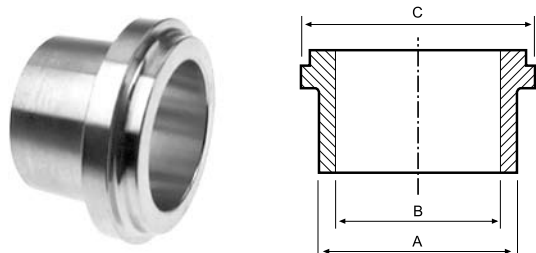


IDF SPANNER	
PART NO.	SIZE
IDF-1SP	1"
IDF-2SP	1 1/2"
IDF-2SP	2"
IDF2.5SP	2 1/2"
IDF-3SP	3"
IDF-4SP	4"

# Hygienic Products

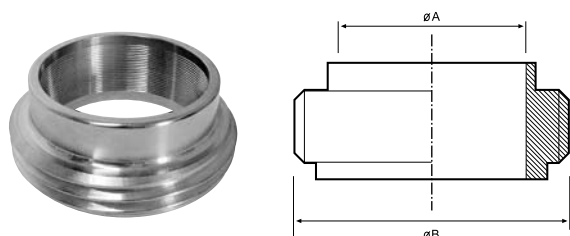


IDF WELD MALE				
PART NO.	SIZE	A (mm)	B (mm)	C (mm)
15A-R100IDF	1"	25.4	22.1	37.13 x 8T
15A-R150IDF	1 1/2"	38.1	34.8	50.65 x 8T
15A-R200IDF	2"	50.8	47.5	64.16 x 8T
15A-R250IDF	2 1/2"	63.5	60.2	77.67 x 8T
15A-R300IDF	3"	76.2	72.9	91.19 x 8T
15A-R400IDF	4"	101.6	97.6	125.9 x 6T

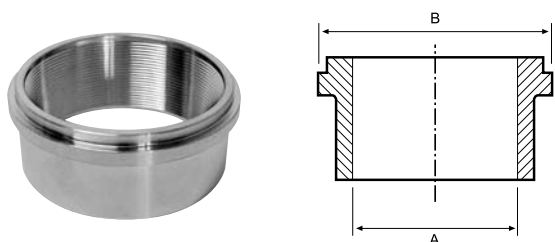


IDF WELD LINER				
PART NO.	SIZE	A (mm)	B (mm)	C (mm)
14A-R100IDF	1"	25.4	22.1	33.80
14A-R150IDF	1 1/2"	38.1	34.8	47.00
14A-R200IDF	2"	50.8	47.5	60.50
14A-R250IDF	2 1/2"	63.5	60.2	74.00
14A-R300IDF	3"	76.2	72.9	87.50
14A-R400IDF	4"	101.6	97.6	120.60

G



IDF EXPANDING MALE			
PART NO.	SIZE	A (mm)	B (mm)
15R-R100IDF	1"	22.20	37.13 x 8T
15R-R150IDF	1 1/2"	34.90	50.65 x 8T
15R-R200IDF	2"	47.60	64.16 x 8T
15R-R250IDF	2 1/2"	60.30	77.67 x 8T
15R-R300IDF	3"	73.00	91.19 x 8T
15R-R350IDF	4"	97.60	125.9 x 6T



IDF EXPANDING LINER			
PART NO.	SIZE	A (mm)	B (mm)
14R-R100IDF	1"	22.30	33.80
14R-R150IDF	1 1/2"	34.90	47.00
14R-R200IDF	2"	47.60	60.50
14R-R250IDF	2 1/2"	60.30	74.00
14R-R300IDF	3"	73.00	87.50
14R-R400IDF	4"	97.60	120.60

# Hygienic Products



HOLEDALL® IDF EXTERNAL CRIMP STEM	
PART NO.	SIZE
<b>FEMALE</b>	
HA0628	1"
HA0629	1 1/2"
HA0630	2"
HA0631	2 1/2"
HA0632	3"
HA0633	4"
<b>MALE</b>	
HA0634	1"
HA0635	1"
HA0636	2"
HA0637	2 1/2"
HA0638	3"
HA0639	4"

Please note: All stems are manufactured to suit inch bore hoses (not metric hose bores).

## HOLEDALL® IDF EXTERNAL CRIMP FERRULES

G



PART NO.	SIZE	HOSE OD RANGE (mm)	
		From	To
F16G-1453	1"	35.7	36.5
F16G-1500	1"	36.9	37.7
F16G-1547	1"	38.1	38.9
F16G-1594	1"	39.3	40.1
F16G-1641	1"	40.5	41.3
F24G-1969	1 1/2"	48.4	49.6
F24G-2031	1 1/2"	50.0	51.2
F24G-2094	1 1/2"	51.6	52.8
F24G-2156	1 1/2"	53.2	54.4
F32G-2531	2"	62.7	63.9
F32G-2594	2"	64.3	65.5
F32G-2656	2"	65.9	67.1
F32G-2719	2"	67.4	68.7
F40G-3070	2 1/2"	76.1	78.1
F40G-3150	2 1/2"	78.1	80.1
F40G-3268	2 1/2"	81.1	83.1
F48G-3525	3"	91.7	92.9
F48G-3688	3"	92.1	93.3
F48G-3750	3"	93.6	94.9
F48G-3813	3"	95.2	96.5
F48G-3875	3"	96.8	98.0
F48G-3938	3"	98.4	99.6
F64G-3625	4"	117.5	118.7
F64G-4750	4"	119.0	120.3
F64G-4813	4"	120.6	121.9
F64G-4875	4"	122.2	123.5
F64G-4938	4"	123.8	125.0



## Hygienic Products



SEAL TYPE IDF O-RING EPDM			
PART NO.	SIZE	ID	OD
40MP-E100IDF	1"	23.20	32.50
40MP-E150IDF	1 1/2"	35.90	46.00
40MP-E200IDF	2"	48.60	59.50
40MP-E250IDF	2 1/2"	61.30	73.20
40MP-E300IDF	3"	74.00	86.50
40MP-E400IDF	4"	98.60	119.00



SEAL TYPE IDF O-RING VITON®			
PART NO.	SIZE	ID	OD
40MP-SFY100IDF	1"	23.20	32.50
40MP-SFY150IDF	1 1/2"	35.90	46.00
40MP-SFY200IDF	2"	48.60	59.50
40MP-SFY250IDF	2 1/2"	61.30	73.20
40MP-SFY300IDF	3"	74.00	86.50
40MP-SFY400IDF	4"	98.60	119.00



SEAL TYPE IDF O-RING BUNA (NITRILE)			
PART NO.	SIZE	ID	OD
40MP-U100IDF	1"	23.20	32.50
40MP-U150IDF	1 1/2"	35.90	46.00
40MP-U200IDF	2"	48.60	59.50
40MP-U250IDF	2 1/2"	61.30	73.20
40MP-U300IDF	3"	74.00	86.50
40MP-U400IDF	4"	98.60	119.00

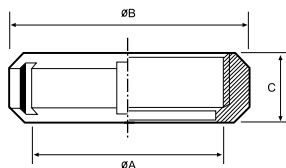


GASKET FOR IDF / SILICONE			
PART NO.	SIZE	ID	OD
40MP-X100IDF	1"	23.20	32.50
40MP-X150IDF	1 1/2"	35.90	46.00
40MP-X200IDF	2"	48.60	59.50
40MP-X250IDF	2 1/2"	61.30	73.20
40MP-X300IDF	3"	74.00	86.50
40MP-X400IDF	4"	98.60	119.00

PLEASE CALL FOR ALL YOUR OTHER IDF REQUIREMENTS. MANY OTHER PARTS AVAILABLE.



SMS Unions, Tools & Gaskets



SMS NUT 6 SLOTS				
PART NO.	SIZE	A (mm)	B (mm)	C (mm)
13R-G100SMS	1"	40 x 1/6	51.00	19.00
13R-G150SMS	1 1/2"	60 x 1/6	74.00	23.00
13R-G200SMS	2"	70 x 1/6	84.00	24.00
13R-G250SMS	2 1/2"	85 x 1/6	100.00	28.00
13R-G300SMS	3"	98 x 1/6	114.00	30.00
13R-G400SMS	4"	125 x 1/4	138.00	31.00

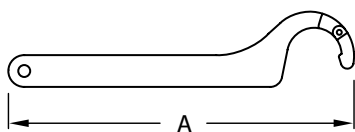


SMS BLANK	
PART NO.	SIZE
16AMP-R100SMS	1"
16AMP-R150SMS	1 1/2"
16AMP-R200SMS	2"
16AMP-R250SMS	2 1/2"
16AMP-R300SMS	3"
16AMP-R400SMS	4"

Please note: To be used with a matching nut.



SMS BLANK NUT 6 SLOTS WITH CHAIN	
PART NO.	SIZE
13RBN-G100SMS	1"
13RBN-G150SMS	1 1/2"
13RBN-G200SMS	2"
13RBN-G250SMS	2 1/2"
13RBN-G300SMS	3"
13RBN-G400SMS	4"

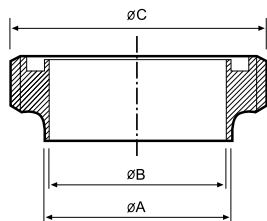


SMS SPANNER		
PART NO.	SIZE	A
DIN-SMS-60/90SP	1" - 1 1/2"	11.00
DIN-SMS-90/155SP	2" - 4"	13.00

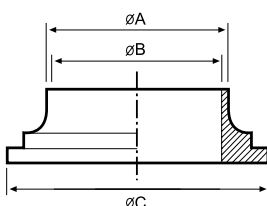
For use on DIN or SMS Rounded Nuts.



# Hygienic Products

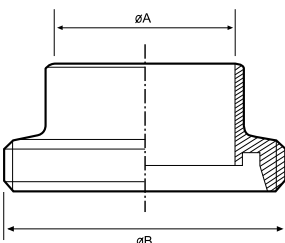


SMS WELD MALE				
PART NO.	SIZE	A (mm)	B (mm)	C (mm)
15A-R100SMS	1"	25.4	22.1	40x1/6
15A-R150SMS	1 1/2"	38.1	34.8	60x1/6
15A-R200SMS	2"	50.8	47.5	70x1/6
15A-R250SMS	2 1/2"	63.5	60.2	85x1/6
15A-R300SMS	3"	76.2	72.9	98x1/6
15A-R400SMS	4"	101.6	97.6	125x1/4

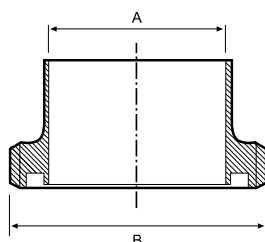


SMS WELD LINER				
PART NO.	SIZE	A (mm)	B (mm)	C (mm)
14A-R100SMS	1"	25.4	22.1	35.50
14A-R150SMS	1 1/2"	38.1	34.8	55.00
14A-R200SMS	2"	50.8	47.5	65.00
14A-R250SMS	2 1/2"	63.5	60.2	80.00
14A-R300SMS	3"	76.2	72.9	93.00
14A-R400SMS	4"	101.6	97.6	118.00

G



SMS EXPANDING MALE			
PART NO.	SIZE	A (mm)	B (mm)
15R-R100SMS	1"	22.20	40x1/6
15R-R150SMS	1 1/2"	34.90	60x1/6
15R-R200SMS	2"	47.60	70x1/6
15R-R250SMS	2 1/2"	60.30	85x1/6
15R-R300SMS	3"	73.00	98x1/6
15R-R400SMS	4"	97.60	125x1/4



SMS EXPANDING LINER			
PART NO.	SIZE	A (mm)	B (mm)
14R-R100SMS	1"	22.20	35.50
14R-R150SMS	1 1/2"	34.90	55.00
14R-R200SMS	2"	47.60	65.00
14R-R250SMS	2 1/2"	60.30	80.00
14R-R300SMS	3"	73.00	93.00
14R-R400SMS	4"	97.60	118.00

## Hygienic Products



## HOLEDALL® SMS EXTERNAL CRIMP STEM

PART NO.	SIZE
<b>FEMALE</b>	
HA0616	1"
HA0617	1 1/2"
HA0618	2"
HA0619	2 1/2"
HA0620	3"
HA0621	4"
<b>MALE</b>	
HA0622	1"
HA0623	1 1/2"
HA0624	2"
HA0625	2 1/2"
HA0626	3"
HA0627	4"

Please note: All stems are manufactured to suit inch bore hoses (not metric hose bores).

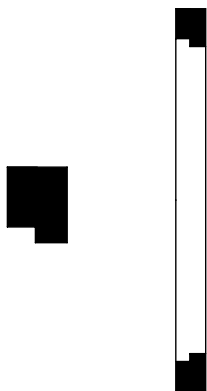
## HOLEDALL® SMS EXTERNAL CRIMP FERRULES

PART NO.	SIZE	HOSE OD RANGE (mm)	
		From	To
F16G-1453	1"	35.7	36.5
F16G-1500	1"	36.9	37.7
F16G-1547	1"	38.1	38.9
F16G-1594	1"	39.3	40.1
F16G-1641	1"	40.5	41.3
F24G-1969	1 1/2"	48.4	49.6
F24G-2031	1 1/2"	50.0	51.2
F24G-2094	1 1/2"	51.6	52.8
F24G-2156	1 1/2"	53.2	54.4
F32G-2531	2"	62.7	63.9
F32G-2594	2"	64.3	65.5
F32G-2656	2"	65.9	67.1
F32G-2719	2"	67.4	68.7
F40G-3070	2 1/2"	76.1	78.1
F40G-3150	2 1/2"	78.1	80.1
F40G-3268	2 1/2"	81.1	83.1
F48G-3525	3"	91.7	92.9
F48G-3688	3"	92.1	93.3
F48G-3750	3"	93.6	94.9
F48G-3813	3"	95.2	96.5
F48G-3875	3"	96.8	98.0
F48G-3938	3"	98.4	99.6
F64G-3625	4"	117.5	118.7
F64G-4750	4"	119.0	120.3
F64G-4813	4"	120.6	121.9
F64G-4875	4"	122.2	123.5
F64G-4938	4"	123.8	125.0

G

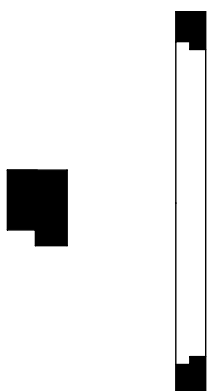


## Hygienic Products



### SMS SEAL RING L TYPE SILICONE

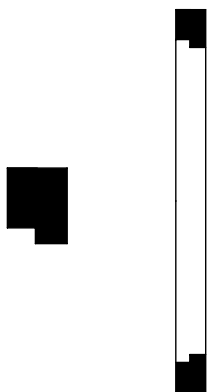
PART NO.	SIZE	ID	OD
40MP-XW100SMS	1"	22.80	31.80
40MP-XW150SMS	1 1/2"	35.80	47.80
40MP-XW200SMS	2"	48.80	60.80
40MP-XW250SMS	2 1/2"	61.00	73.30
40MP-XW300SMS	3"	73.40	85.80
40MP-XW400SMS	4"	98.20	115.70



### SMS SEAL RING L TYPE EPDM

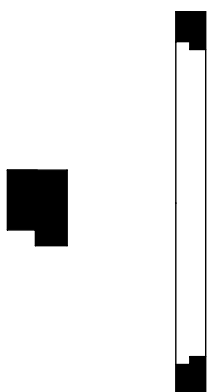
PART NO.	SIZE	ID	OD
40MP-E100SMS	1"	22.80	31.80
40MP-E150SMS	1 1/2"	35.80	47.80
40MP-E200SMS	2"	48.80	60.80
40MP-E250SMS	2 1/2"	61.00	73.30
40MP-E300SMS	3"	73.40	85.80
40MP-E400SMS	4"	98.20	115.70

G



### SEAL TYPE SMS O-RING VITON®

PART NO.	SIZE	ID	OD
40MP-SFY100SMS	1"	22.80	31.80
40MP-SFY150SMS	1 1/2"	35.80	47.80
40MP-SFY200SMS	2"	48.80	60.80
40MP-SFY250SMS	2 1/2"	61.00	73.30
40MP-SFY300SMS	3"	73.40	85.80
40MP-SFY400SMS	4"	98.20	115.70



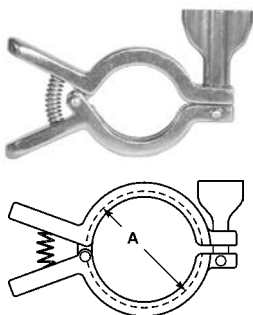
### SEAL TYPE SMS O-RING BUNA (NITRILE)

PART NO.	SIZE	ID	OD
40MP-U100SMS	1"	22.80	31.80
40MP-U150SMS	1 1/2"	35.80	47.80
40MP-U200SMS	2"	48.80	60.80
40MP-U250SMS	2 1/2"	61.00	73.30
40MP-U300SMS	3"	73.40	85.80
40MP-U400SMS	4"	98.20	115.70

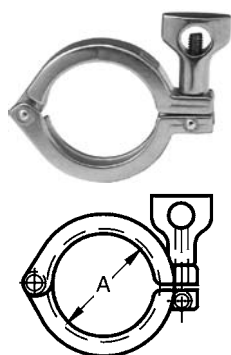
PLEASE CALL FOR ALL YOUR OTHER SMS REQUIREMENTS. MANY OTHER PARTS AVAILABLE.

## Clamp Type BS:4825 Part 3 Couplings and Gaskets

Service ratings are based on hydrostatic tests using standard-molded Buna-N material gaskets, with proper installation of ferrules, assembly of joints and absence of shock pressure. Contact Dixon Hygienic for service of other type and material gaskets, and for ratings at higher temperatures. All ratings shown are dependent upon related components within the systems and proper installation. **For temperatures above 250°F/121°C, we recommend using only 13MHP clamps.** This information is only valid if Bradford™ clamps, ferrules and gaskets are used.

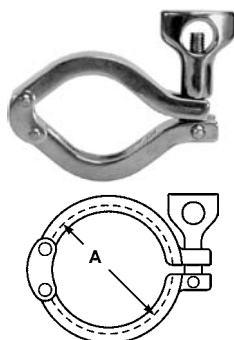


SINGLE PIN SQUEEZE CLAMPS – 13MHHM-Q				
PART NO.	TUBE O.D.	SERVICE PRESSURE RATING (PSI/BAR)	SERVICE PRESSURE RATING (PSI/BAR)	DIMENSION A
		@ 70°F/21°C	@ 250°F/121°C	
13MHHM-Q75	1/2" - 3/4"	1500/103	1200/82	26.97
13MHHM-Q100-150	1" - 1 1/2"	500/34	300/20	53.90
13MHHM-Q200	2"	450/31	250/17	67.41
13MHHM-Q250	2 1/2"	400/27	200/13	80.91
13MHHM-Q300	3"	350/24	175/12	94.41
13MHHM-Q400	4"	300/20	150/10	122.43



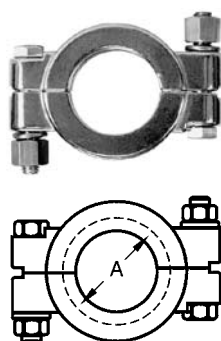
SINGLE PIN HEAVY DUTY CLAMP – 13MHHM				
PART NO.	TUBE O.D.	SERVICE PRESSURE RATING (PSI/BAR)	SERVICE PRESSURE RATING (PSI/BAR)	DIMENSION A
		@ 70°F/21°C	@ 250°F/121°C	
13MHHM50-75	1/2" - 3/4"	1500/103	1200/82	26.97
13MHHM100-150	1" - 1 1/2"	500/34	300/20	53.90
13MHHM200	2"	450/31	250/17	67.41
13MHHM250	2 1/2"	400/27	200/13	80.91
13MHHM300	3"	350/24	175/12	94.41
13MHHM400	4"	300/20	150/10	122.43
13MHHM600	6"	150/10	75/5	170.05
13MHHM800	8"	100/6	50/3.45	220.85

\* Also available in 316 Stainless Steel. See page 177



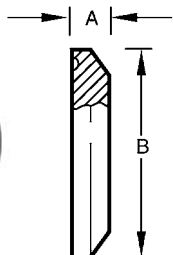
DOUBLE PIN HEAVY DUTY CLAMP – 13MHHM – DP				
PART NO.	TUBE O.D.	SERVICE PRESSURE RATING (PSI/BAR)	SERVICE PRESSURE RATING (PSI/BAR)	DIMENSION A
		@ 70°F/21°C	@ 250°F/121°C	
13MHHM-DP100-150	1" - 1 1/2"	500/34	300/20	26.97
13MHHM-DP200	2"	450/31	250/17	53.90
13MHHM-DP250	2 1/2"	400/27	200/13	67.41
13MHHM-DP300	3"	350/24	175/12	80.91
13MHHM-DP400	4"	300/20	150/10	94.41
13MHHM-DP1000	10"	100/6	50/3.45	272.80

\* Also available in 316 Stainless Steel. See page 177



HYGIENIC CLAMPS / BOLTED CLAMP – 13MHP				
PART NO.	TUBE O.D.	SERVICE PRESSURE RATING (PSI/BAR)	SERVICE PRESSURE RATING (PSI/BAR)	DIMENSION A
		@ 70°F/21°C	@ 250°F/121°C	
13MHP75	1/2" - 3/4"	1500/103	1200/82	26.97
13MHP100-150	1" - 1 1/2"	1500/103	1200/82	53.90
13MHP200	2"	1000/69	800/55	67.41
13MHP250	2 1/2"	1000/69	800/55	80.91
13MHP300	3"	1000/69	800/55	94.41
13MHP400	4"	800/55	600/40	122.43
13MHP600	6"	300/20	200/13	170.05
13MHP800	8"	250/17	150/10	220.85
13MHP1000	10"	200/13	125/8.5	272.80
13MHP1200	12"	150/10	100/6	323.60

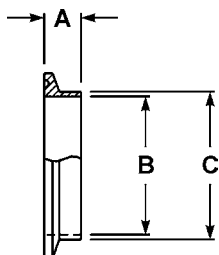
# Hygienic Products



## SOLID FERRULE BLANK DISC END CAPS – 16AMP

PART NO.	TUBE O.D.	DIMENSIONS	
		A	B
16AMP-R50-75	1/2" - 3/4"	4.75	25.20
16AMP-R100-150	1" - 1 1/2"	6.35	50.40
16AMP-R200	2"	6.35	63.91
16AMP-R250	2 1/2"	6.35	77.39
16AMP-R300	3"	6.35	90.91
16AMP-R400	4"	7.92	118.92
16AMP-R600	6"	11.10	166.88
16AMP-R800	8"	11.10	217.68
16AMP-R1000	10"	11.10	266.48
16AMP-R1200	12"	11.10	319.28

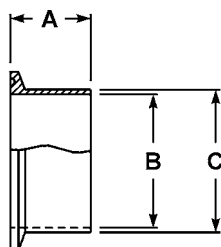
G



## SHORT WELDING FERRULE

PART NO.	TUBE O.D.	DIMENSIONS		
		A	B	C
14WMP-R50	1/2"	12.70	9.40	12.70
14WMP-R75	3/4"	12.70	15.75	19.05
14WMP-R100	1"	12.70	22.10	25.40
14WMP-R150	1 1/2"	12.70	34.80	38.00
14WMP-R200	2"	12.70	47.50	50.80
14WMP-R250	2 1/2"	12.70	60.20	63.50
14WMP-R300	3"	12.70	72.90	76.20
14WMP-R400	4"	15.86	97.60	101.60
14WMP-R600	6"	22.23	146.86	152.40
14WMP-R800	8"	22.23	197.66	203.20
14WMP-R1000	10"	22.23	248.46	254.00
14WMP-R1200	12"	22.23	298.70	304.80

## BUTT WELD FERRULES

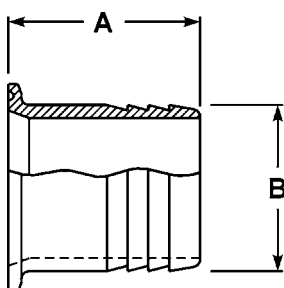


PART NO.	TUBE O.D.	DIMENSIONS		
		A	B	C
L14AM7-R50	1/2"	28.56	9.40	12.70
L14AM7-R75	3/4"	28.56	15.75	19.05
L14AM7-R100	1"	28.56	22.10	25.40
L14AM7-R150	1 1/2"	28.56	34.80	38.00
L14AM7-R200	2"	28.56	47.50	50.80
L14AM7-R250	2 1/2"	28.56	60.20	63.50
L14AM7-R300	3"	28.56	72.90	76.20
L14AM7-R400	4"	28.56	97.60	101.60
L14AM7-R600	6"	38.10	146.86	152.40
L14AM7-R800	8"	38.10	197.66	203.20
L14AM7-R1000	10"	44.45	248.46	254.00
L14AM7-R1200	12"	44.45	298.70	304.80

Please note: Metric sizes to DIN32676 available on request.

# Hygienic Products

## CLAMP HOSE TAIL



PART NO.	TUBE O.D.	DIMENSIONS	
		A	B
14MPHR-R50125	1/2" x 1/8"	31.75	3.18
14MPHR-R5025	1/2" x 1/4"	38.10	6.35
14MPHR-R50375	1/2" x 3/8"	38.10	9.53
14MPHR-R50	1/2" x 1/2"	38.10	12.07
14MPHR-R5075	1/2" x 3/4"	38.10	19.05
14MPHR-R75125	3/4" x 1/8"	38.10	3.18
14MPHR-R7525	3/4" x 1/4"	38.10	6.35
14MPHR-R75375	3/4" x 3/8"	38.10	9.53
14MPHR-R7550	3/4" x 1/2"	38.10	12.07
14MPHR-R75	3/4" x 3/4"	38.10	19.05
14MPHR-R100	1" x 1"	42.88	25.4
14MPHR-R100375	1" x 3/8"	38.10	9.53
14MPHR-R10050	1" x 1/2"	38.10	12.7
14MPHR-R10075	1" x 3/4"	42.88	19.05
14MPHR-R15025	1 1/2" x 1/4"	38.10	6.35
14MPHR-R150375	1 1/2" x 3/8"	38.10	9.53
14MPHR-R15050	1 1/2" x 1/2"	38.10	12.7
14MPHR-R150625	1 1/2" x 5/8"	38.10	15.88
14MPHR-R15075	1 1/2" x 3/4"	38.10	19.05
14MPHR-R150100	1 1/2" x 1"	42.88	25.4
14MPHR-R150125	1 1/2" x 1 1/4"	42.88	31.75
14MPHR-R150	1 1/2" x 1 1/2"	42.88	38.1
14MPHR-R200	2" x 2"	58.72	50.8
14MPHR-R200150	2" x 1 1/2"	58.72	38.1
14MPHR-R250	2 1/2" x 2 1/2"	58.72	63.5
14MPHR-R300	3" x 3"	78.59	76.2
14MPHR-R400	4" x 4"	86.51	101.6
14MPHR-R600	6" x 6"	86.51	152.4
14MPHR-R800	8" x 8"	86.51	203.2

Please note: All stems are manufactured to suit inch bore hoses (not metric hose bores).



## HOLEDALL® CLAMP TYPE EXTERNAL CRIMP STEM

PART NO.	SIZE
CSSR100	1"
CSSR150	1 1/2"
CSSR200	2"
CSSR250	2 1/2"
CSSR300	3"
CSSR400	4"

Please note: All stems are manufactured to suit inch bore hoses (not metric hose bores).

1/2" & 3/4" available on request.





# Hygienic Products

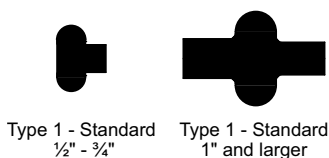


G

## HOLEDALL® CLAMP TYPE EXTERNAL CRIMP FERRULES

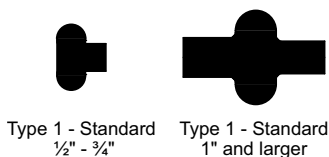
PART NO.	SIZE	HOSE OD RANGE (mm)	
		From	To
F16G-1453	1"	35.7	36.5
F16G-1500	1"	36.9	37.7
F16G-1547	1"	38.1	38.9
F16G-1594	1"	39.3	40.1
F16G-1641	1"	40.5	41.3
F24G-1969	1 1/2"	48.4	49.6
F24G-2031	1 1/2"	50.0	51.2
F24G-2094	1 1/2"	51.6	52.8
F24G-2156	1 1/2"	53.2	54.4
F32G-2531	2"	62.7	63.9
F32G-2594	2"	64.3	65.5
F32G-2656	2"	65.9	67.1
F32G-2719	2"	67.4	68.7
F40G-3070	2 1/2"	76.1	78.1
F48G-3525	3"	91.7	92.9
F48G-3688	3"	92.1	93.3
F48G-3750	3"	93.6	94.9
F48G-3813	3"	95.2	96.5
F48G-3875	3"	96.8	98.0
F48G-3938	3"	98.4	99.6
F64G-3625	4"	117.5	118.7
F64G-4750	4"	119.0	120.3

## BUNA-N BLACK -40°C TO 107°C



PART NO.	SIZE
42MP-U50	1/2"
42MP-U75	3/4"
40MP-U100	1"
40MP-U150	1 1/2"
40MP-U200	2"
40MP-U250	2 1/2"
40MP-U300	3"
40MP-U400	4"
40MP-U600	6"

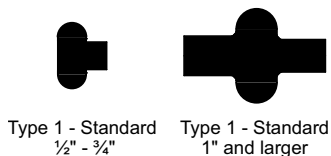
## VITON® BLACK -29°C TO 204°C



PART NO.	SIZE
42MP-SFY50	1/2"
42MP-SFY75	3/4"
40MP-SFY100	1"
40MP-SFY150	1 1/2"
40MP-SFY200	2"
40MP-SFY250	2 1/2"
40MP-SFY300	3"
40MP-SFY400	4"

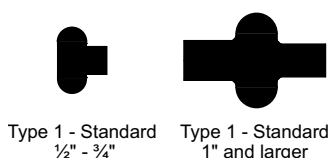
# Hygienic Products

## BUNA-N WHITE -40°C TO 107°C



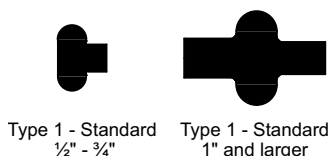
PART NO.	SIZE
42MP-UW50	1/2"
42MP-UW75	3/4"
40MP-UW100	1"
40MP-UW150	1 1/2"
40MP-UW200	2"
40MP-UW250	2 1/2"
40MP-UW300	3"
40MP-UW400	4"

## PTFE (SOLID) WHITE -73°C TO 204°C



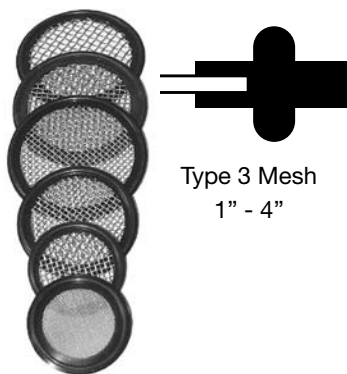
PART NO.	SIZE
42MP-G50	1/2"
42MP-G75	3/4"
40MP-G100	1"
40MP-G150	1 1/2"
40MP-G200	2"
40MP-G250	2 1/2"
40MP-G300	3"
40MP-G400	4"

## EPDM BLACK -60°C TO 135°C



PART NO.	SIZE
42MP-E50	1/2"
42MP-E75	3/4"
40MP-E100	1"
40MP-E150	1 1/2"
40MP-E200	2"
40MP-E250	2 1/2"
40MP-E300	3"
40MP-E400	4"

Also Available Type 2 as flanged gasket



- Colour code: one white dot, one yellow dot
- 10 mesh standard. Other mesh sizes available.
- Peroxide cured
- Meets 21CFR 177.2600
- Pharmaceutical class VI approved
- Please contact us for compatibility information
- Additional mesh sizes available, please contact us for details

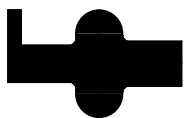
## EPDM - MESH SCREEN, 316

PART NO.	SIZE
40MPS-E100	1"
40MPS-E150	1 1/2"
40MPS-E200	2"
40MPS-E250	2 1/2"
40MPS-E300	3"
40MPS-E400	4"

Please note: Mesh Screen Gaskets are also available in Silicone, Buna and Viton®. 10 Mesh standard.

## Hygienic Products

### Clamp Flanged Gaskets



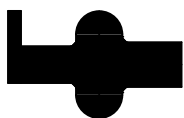
Type 2 - Flanged  
1" and larger

- Colour code: red dot
- Meets 21CFR 177.2600
- Refer to the technical section for compatibility information
- Not recommended for use with bolted clamps

#### BUNA-N - BLACK, FLANGED

PART NO.	SIZE
40MPF-U100	1"
40MPF-U150	1½"
40MPF-U200	2"
40MPF-U250	2½"
40MPF-U300	3"
40MPF-U400	4"
40MPF-U600	6"
40MPF-U800	8"
40MPF-U1000	10"
40MPF-U1200	12"

G

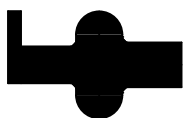


Type 2 - Flanged  
1" and larger

- Colour code: red dot
- Meets 21CFR 177.2600
- Refer to the technical section for compatibility information
- Not recommended for use with bolted clamps

#### BUNA-N - WHITE, FLANGED

PART NO.	SIZE
40MPF-UW100	1"
40MPF-UW150	1½"
40MPF-UW200	2"
40MPF-UW250	2½"
40MPF-UW300	3"
40MPF-UW400	4"
40MPF-UW600	6"
40MPF-UW800	8"



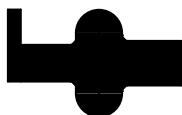
Type 2 - Flanged  
1" and larger

- Colour code: three green dots
- Peroxide cured
- Meets 21CFR 177.2600
- Passed U.S.P. Class VI Cytotoxicity testing
- Refer to the technical section for compatibility information
- Not recommended for use with bolted clamps

#### EPDM - FLANGED

PART NO.	SIZE
40MPF-E100	1"
40MPF-E150	1½"
40MPF-E200	2"
40MPF-E250	2½"
40MPF-E300	3"
40MPF-E400	4"
40MPF-E600	6"
40MPF-E800	8"
40MPF-E1000	10"
40MPF-E1200	12"

## Hygienic Products

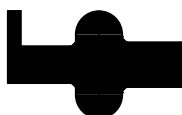


Type 2 - Flanged  
1" and larger

- Colour code: one white dot, one yellow dot
- Meets 21CFR 177.2600
- Passed U.S.P. Class VI Cytotoxicity testing
- Refer to the technical section for compatibility information
- Not recommended for use with bolted clamps

## FKM (VITON®) - FLANGED

PART NO.	SIZE
40MPF-SFY100	1"
40MPF-SFY150	1½"
40MPF-SFY200	2"
40MPF-SFY250	2½"
40MPF-SFY300	3"
40MPF-SFY400	4"
40MPF-SFY600	6"
40MPF-SFY800	8"
40MPF-SFY1000	10"
40MPF-SFY1200	12"



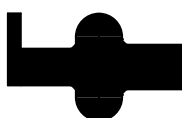
Type 2 - Flanged  
1" and larger

- Colour code: pink dot
- Peroxide cured
- Meets 21CFR 177.2600
- Passed U.S.P. Class VI Cytotoxicity testing
- Refer to the technical section for compatibility information
- Not recommended for use with bolted clamps

## SILICONE - WHITE, FLANGED

PART NO.	SIZE
40MPF-XW100	1"
40MPF-XW150	1½"
40MPF-XW200	2"
40MPF-XW250	2½"
40MPF-XW300	3"
40MPF-XW400	4"
40MPF-XW600	6"
40MPF-XW800	8"
40MPF-XW1000	10"
40MPF-XW1200	12"

G



Type 2 - Flanged  
1" and larger

- Colour code: no dot
- Platinum cured
- Meets 21CFR 177.2600
- Passed U.S.P. Class VI Cytotoxicity testing
- Refer to the technical section for compatibility information
- Not recommended for use with bolted clamps

## SILICONE - CLEAR, FLANGED

PART NO.	SIZE
40MPF-XC100	1"
40MPF-XC150	1½"
40MPF-XC200	2"
40MPF-XC250	2½"
40MPF-XC300	3"
40MPF-XC400	4"
40MPF-XC600	6"
40MPF-XC800	8"

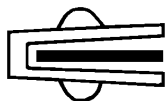


## Hygienic Products

### Clamp Envelope Gaskets

#### CAUTION

PTFE is a material subject to plastic flow. When cycled through heat and then cooled down in process lines, PTFE gaskets will not return to the original configuration and it will continue to compress as the cycling continues. This plastic flow will allow leakage if clamp torques are not maintained.



- Colour code: usually not marked
- Peroxide cured
- Meets 21CFR 177.1550
- Refer to the technical section for compatibility information

#### PTFE ENVELOPE WITH EPDM FILLER

PART NO.	SIZE
42MP-GRE50	1/2"
42MP-GRE75	3/4"
40MP-GRE100	1"
40MP-GRE150	1 1/2"
40MP-GRE200	2"
40MP-GRE250	2 1/2"
40MP-GRE300	3"
40MP-GRE400	4"



- Colour code: usually not marked
- Meets 21CFR 177.1550
- Refer to the technical section for compatibility information

#### PTFE ENVELOPE WITH FKM (VITON®) FILLER

PART NO.	SIZE
42MP-GR50	1/2"
42MP-GR75	3/4"
40MP-GR100	1"
40MP-GR150	1 1/2"
40MP-GR200	2"
40MP-GR250	2 1/2"
40MP-GR300	3"
40MP-GR400	4"
40MP-GR600	6"
40MP-GR800	8"

### APC Clamp Gaskets



- Colour code: no dot
- Meets 21CFR 177.2600
- Refer to the technical section for compatibility information

#### BUNA APC - GREY

PART NO.	SIZE
101-H100	1"
101-H150	1 1/2"
101-H200	2"
101-H250	2 1/2"
101-H300	3"
101-H400	4"

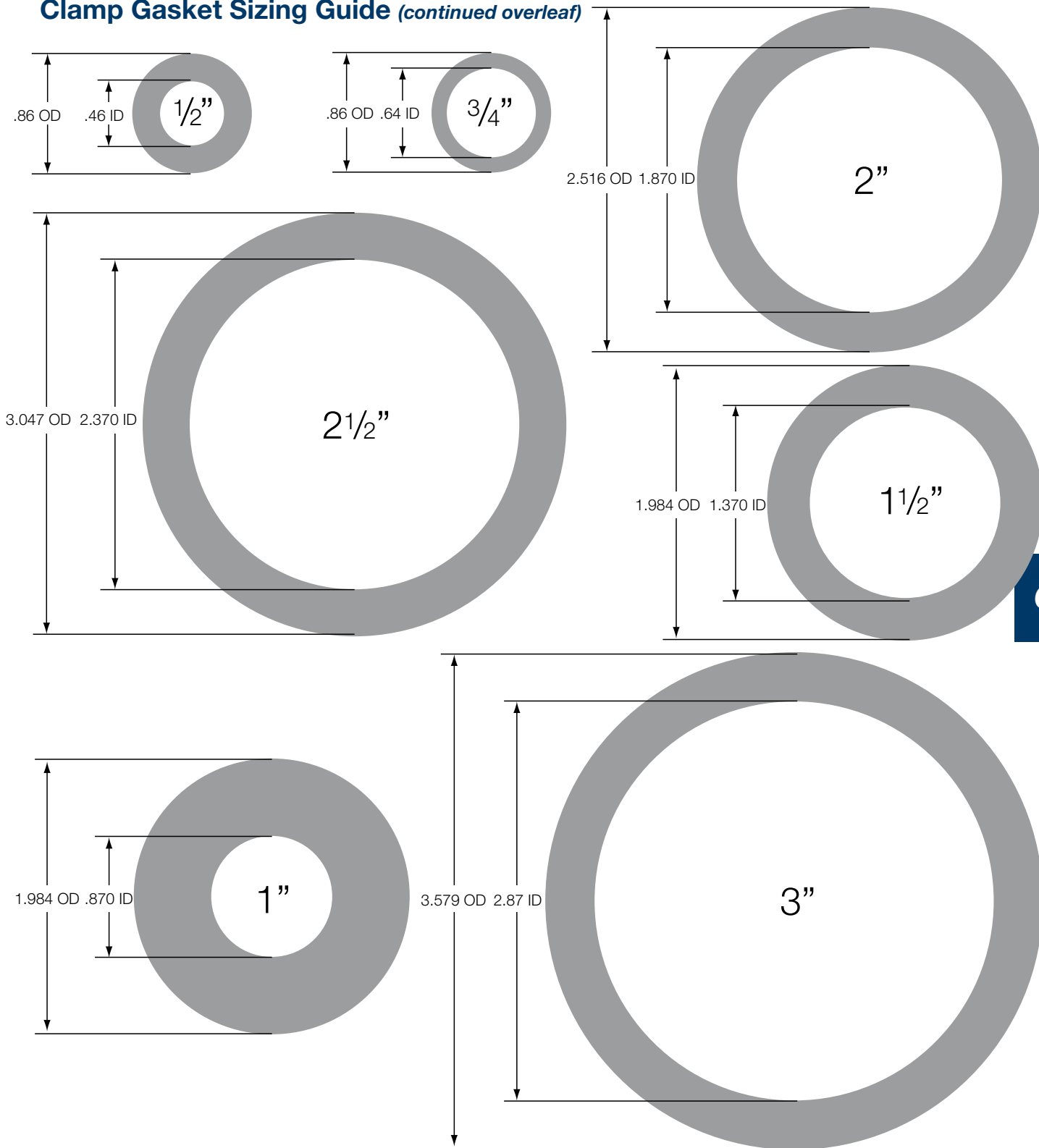


- Colour code: no dot
- Meets 21CFR 177.2600
- Refer to the technical section for compatibility information

#### BUNA APC - GREY

PART NO.	SIZE
101-HX100	1"
101-HX150	1 1/2"
101-HX200	2"
101-HX250	2 1/2"
101-HX300	3"
101-HX400	4"

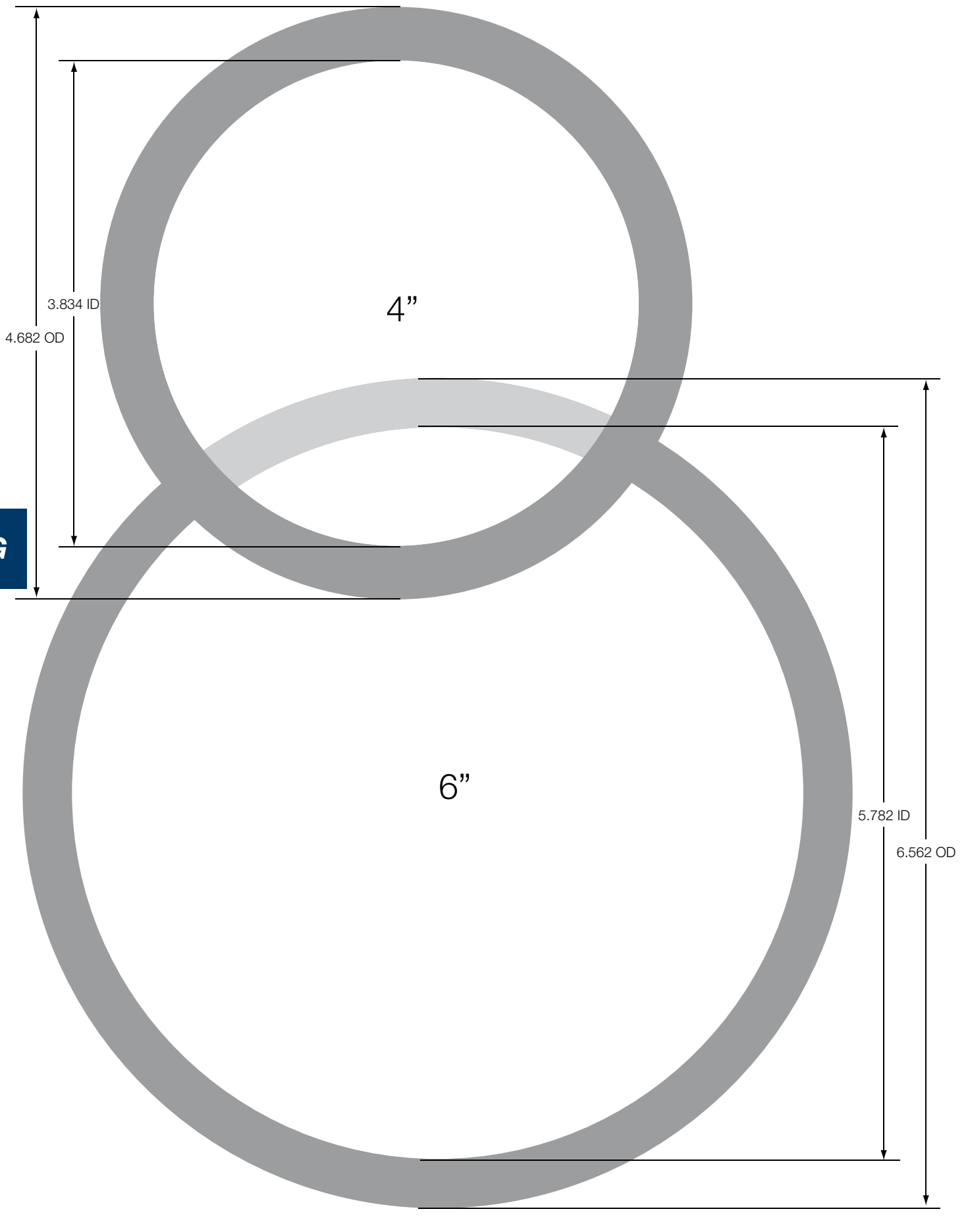
**Clamp Gasket Sizing Guide** *(continued overleaf)*



HYGIENIC SIZE	OD of CLAMP END	ID of FITTING	HYGIENIC SIZE	OD of CLAMP END	ID of FITTING
1/2"	0.992	0.370	3"	3.579	2.870
3/4"	0.992	0.620	4"	4.682	3.834
1"	1.984	0.870	6"	6.562	5.782
1 1/2"	1.984	1.370	8"	8.602	7.782
2"	2.516	1.870	10"	10.570	9.782
2 1/2"	3.047	2.370	12"	12.570	11.760



# Hygienic Products

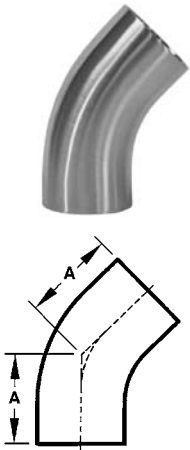




## Polished Bends, Tee's & Reducers

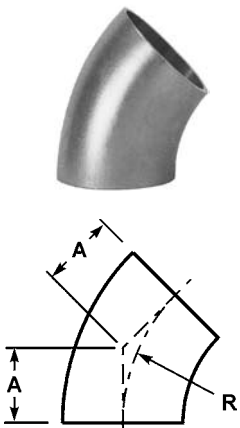
### High Quality Hygienic Weld Fittings - 3A Standard

All Dixon polished fittings have a surface finish equitant to 150 grit or better OD, and 180 grit or better ID. A maximum of Ra 32 microinch (0.8 micron) is indicated.



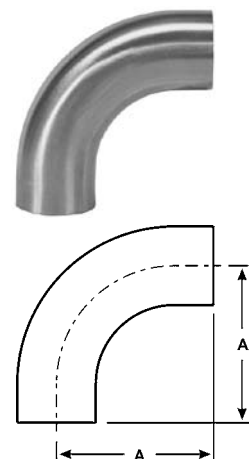
45° POLISHED ELBOWS - BUTT WELD B2KS			
PART NO.	TUBE O.D.	DIMENSION A	NOMINAL WALL
B2KS-R50P	½"	2.250	0.065
B2KS-R75P	¾"	2.250	0.065
B2KS-R100P	1"	1.188	0.065
B2KS-R150P	1½"	1.625	0.065
B2KS-R200P	2"	2.312	0.065
B2KS-R250P	2½"	3.000	0.065
B2KS-R300P	3"	3.688	0.065
B2KS-R400P	4"	4.812	0.083

Polished 316L Stainless Steel.



POLISHED ELBOWS LESS TANGENT – B2WK				
PART NO.	TUBE O.D.	DIMENSION		NOMINAL WALL
		A	R	
B2WK-R50P	½"	.466	1.125	0.065
B2WK-R75P	¾"	.466	1.125	0.065
B2WK-R100P	1"	.625	1.500	0.065
B2WK-R150P	1½"	.937	2.250	0.065
B2WK-R200P	2"	1.250	3.000	0.065
B2WK-R250P	2½"	1.562	3.750	0.065
B2WK-R300P	3"	1.875	4.500	0.065
B2WK-R400P	4"	2.500	6.000	0.083
B2WK-R600P	6"	3.750	9.000	0.109
B2WK-R800P	8"	5.000	12.000	0.120
B2WK-R1000P	10"	6.250	15.000	0.109
B2WK-R1200P	12"	7.500	18.000	0.120

Polished 316L Stainless Steel.



90° POLISHED ELBOWS – BUTT WELD ELBOWS WITH TANGENT – B2S			
PART NO.	TUBE O.D.	DIMENSION A	NOMINAL WALL
B2S-R50P	½"	3.000	0.065
B2S-R75P	¾"	3.000	0.065
B2S-R100P	1"	2.062	0.065
B2S-R150P	1½"	2.937	0.065
B2S-R200P	2"	4.062	0.065
B2S-R250P	2½"	5.187	0.065
B2S-R300P	3"	6.312	0.065
B2S-R400P	4"	8.312	0.083

Polished 316L Stainless Steel.



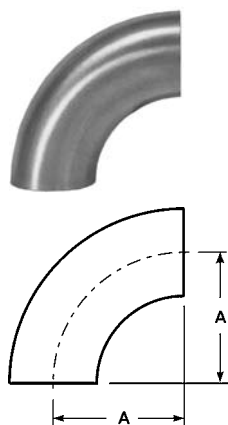
# Hygienic Products



## HOLEDALL® WELD END EXTERNAL CRIMP STEM

PART NO.	SIZE
HA0833	1"
HA0835	1½"
HA0837	2"
HA0839	2½"
HA0841	3"
HA0843	4"

Please note: All stems are manufactured to suit inch bore hoses (not metric hose bores).  
1/2" & 3/4" available on request.

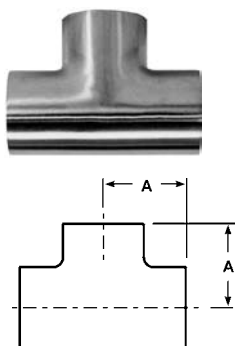


## 90° POLISHED ELBOWS – BUTT WELD ELBOWS LESS TANGENT – B2WCL

PART NO.	TUBE O.D.	DIMENSION A	NOMINAL WALL
B2WCL-R50P	½"	1.125	0.065
B2WCL-R75P	¾"	1.125	0.065
B2WCL-R100P	1"	1.500	0.065
B2WCL-R150P	1½"	2.250	0.065
B2WCL-R200P	1½"	3.000	0.065
B2WCL-R250P	2½"	3.750	0.065
B2WCL-R300P	3"	4.500	0.065
B2WCL-R400P	4"	6.000	0.083
B2WCL-R600P	6"	9.000	0.109
B2WCL-R800P	8"	12.000	0.120
B2WCL-R1000P	10"	15.000	0.109

Polished 316L Stainless Steel.

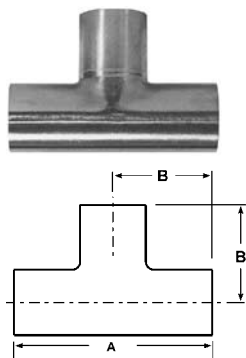
G



## POLISHED TEES – BUTT WELD / SHORT TEE-B7WWW

PART NO.	TUBE O.D.	DIMENSION A	NOMINAL WALL
B7WWW-R100P	1"	1.125	0.065
B7WWW-R150P	1½"	1.656	0.065
B7WWW-R200P	2"	2.062	0.065
B7WWW-R250P	2½"	2.344	0.065
B7WWW-R300P	3"	2.594	0.065
B7WWW-R400P	4"	3.438	0.083

Polished 316L Stainless Steel.



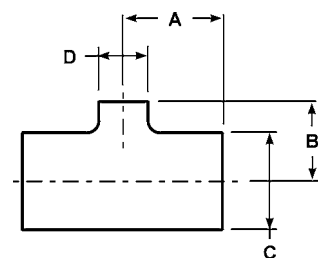
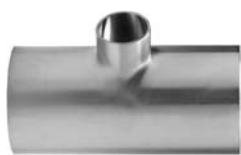
## POLISHED TEES – BUTT WELD / LONG TEE – B7W

PART NO.	TUBE O.D.	DIMENSION		NOMINAL WALL
		A	B	
B7W-R50P	½"	3.750	1.875	0.065
B7W-R75P	¾"	4.000	2.000	0.065
B7W-R100P	1"	3.750	1.875	0.065
B7W-R150P	1½"	4.500	2.250	0.065
B7W-R200P	2"	6.000	3.000	0.065
B7W-R250P	2½"	6.000	3.000	0.065
B7W-R300P	3"	6.500	3.250	0.065
B7W-R400P	4"	7.750	3.875	0.083
B7W-R800P	8"	14.000	7.000	0.120

Polished 316L Stainless Steel.

# Hygienic Products

## POLISHED TEES – BUTT WELD / REDUCING TEE – B7RWWW

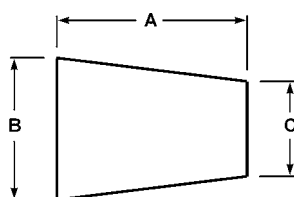
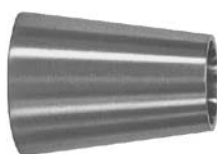


PART NO.	TUBE O.D.	DIMENSION				NOMINAL WALL
		A	B	C	D	
B7RWWW-R7550P	¾" x ½"	2.000	2.000	2.000	2.000	0.065
B7RWWW-R10050P	1" x ½"	2.125	2.125	2.125	2.125	0.065
B7RWWW-R10075P	1" x ¾"	2.125	2.125	2.125	2.125	0.065
B7RWWW-R15050P	1½" x ½"	2.375	2.375	2.375	2.375	0.065
B7RWWW-R15075P	1½" x ¾"	2.375	2.375	2.375	2.375	0.065
B7RWWW-R150100P	1½" x 1"	1.656	1.656	1.656	1.656	0.065
B7RWWW-R20050P	2" x ½"	2.875	2.875	2.875	2.875	0.065
B7RWWW-R20075P	2" x ¾"	2.875	2.875	2.875	2.875	0.065
B7RWWW-R200100P	2" x 1"	2.062	2.062	2.062	2.062	0.065
B7RWWW-R200150P	2" x 1½"	2.062	2.062	2.062	2.062	0.065
B7RWWW-R250150P	2½" x 1½"	2.344	2.344	2.344	2.344	0.065
B7RWWW-R250200P	2½" x 2"	2.344	2.344	2.344	2.344	0.065
B7RWWW-R300150P	3" x 1½"	2.594	2.594	2.594	2.594	0.065
B7RWWW-R300200P	3" x 2"	2.594	2.594	2.594	2.594	0.065
B7RWWW-R300250P	3" x 2½"	2.594	2.594	2.594	2.594	0.083
B7RWWW-R400150P	4" x 1½"	3.438	3.438	3.438	3.438	0.083
B7RWWW-R400200P	4" x 2"	3.438	3.438	3.438	3.438	0.083
B7RWWW-R400250P	4" x 2½"	3.438	3.438	3.438	3.438	0.083
B7RWWW-R400300P	4" x 3"	3.438	3.438	3.438	3.438	0.083
B7RWWW-R600200P	6" x 2"	5.625	5.625	5.625	5.625	0.109
B7RWWW-R600300P	6" x 3"	5.625	5.625	5.625	5.625	0.109
B7RWWW-R600400P	6" x 4"	5.625	5.625	5.625	5.625	0.109

Polished 316L Stainless Steel.

G

## POLISHED REDUCERS – BUTT WELD CONCENTRIC REDUCER – B31W



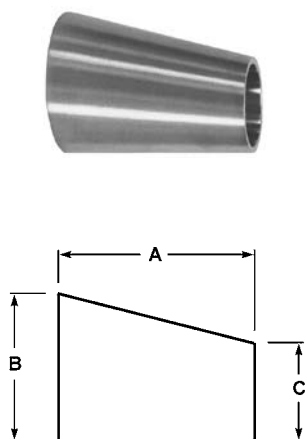
PART NO.	TUBE O.D.	DIMENSION			NOMINAL WALL
		A	B	C	
B31W-R7550P	¾" x ½"	1.000	0.750	0.500	0.065
B31W-R10050P	1" x ½"	2.000	1.000	0.500	0.065
B31W-R10075P	1" x ¾"	1.000	1.000	0.750	0.065
B31W-R15050P	1½" x ½"	4.000	1.500	0.500	0.065
B31W-R15075P	1½" x ¾"	3.000	1.500	0.750	0.065
B31W-R150100P	1½" x 1"	2.000	1.500	1.000	0.065
B31W-R20050P	2" x ½"	6.000	2.000	0.500	0.065
B31W-R20075P	2" x ¾"	5.000	2.000	0.750	0.065
B31W-R200100P	2" x 1"	4.000	2.000	1.000	0.065
B31W-R200150P	2" x 1½"	2.000	2.000	1.500	0.065
B31W-R250150P	2½" x 1½"	4.000	2.500	1.500	0.065
B31W-R250200P	2½" x 2"	2.000	2.500	2.000	0.065
B31W-R300100P	3" x 1"	8.000	3.000	1.000	0.065
B31W-R300150P	3" x 1½"	6.000	3.000	1.500	0.065
B31W-R300200P	3" x 2"	4.000	3.000	2.000	0.065
B31W-R300250P	3" x 2½"	2.000	3.000	2.500	0.065
B31W-R400150P	4" x 1½"	10.000	4.000	1.500	0.083
B31W-R400200P	4" x 2"	8.000	4.000	2.000	0.083
B31W-R400250P	4" x 2½"	6.000	4.000	2.500	0.083
B31W-R400300P	4" x 3"	4.000	4.000	3.000	0.083
B31W-R600200P	6" x 2"	5.500	6.000	2.000	0.109
B31W-R800400P	8" x 4"	6.000	8.000	4.000	0.120
B31W-R800600P	8" x 6"	6.000	8.000	6.000	0.120

Polished 316L Stainless Steel.



# Hygienic Products

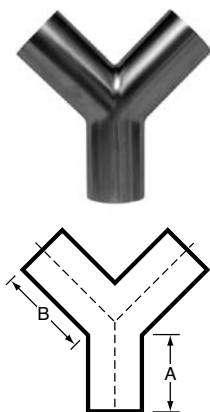
## POLISHED REDUCERS – BUTT WELD ECCENTRIC REDUCER – B32W



PART NO.	TUBE O.D.	DIMENSION			NOMINAL WALL
		A	B	C	
B32W-R7550P	¾" x ½"	1.000	0.750	0.500	0.065
B32W-R10050P	1" x ½"	2.000	1.000	0.500	0.065
B32W-R10075P	1" x ¾"	1.000	1.000	0.750	0.065
B32W-R15050P	1½" x ½"	4.000	1.500	0.500	0.065
B32W-R15075P	1½" x ¾"	3.000	1.500	0.750	0.065
B32W-R150100P	1½" x 1"	2.000	1.500	1.000	0.065
B32W-R20050P	2" x ½"	6.000	2.000	0.500	0.065
B32W-R20075P	2" x ¾"	5.000	2.000	0.750	0.065
B32W-R200100P	2" x 1"	4.000	2.000	1.000	0.065
B32W-R200150P	2" x 1½"	2.000	2.000	1.500	0.065
B32W-R250150P	2½" x 1½"	4.000	2.500	1.500	0.065
B32W-R250200P	2½" x 2"	2.000	2.500	2.000	0.065
B32W-R300150P	3" x 1½"	6.000	3.000	1.500	0.065
B32W-R300200P	3" x 2"	4.000	3.000	2.000	0.065
B32W-R300250P	3" x 2½"	2.000	3.000	2.500	0.065
B32W-R400150P	4" x 1½"	10.000	4.000	1.500	0.083
B32W-R400200P	4" x 2"	8.000	4.000	2.000	0.083
B32W-R400250P	4" x 2½"	6.000	4.000	2.500	0.083
B32W-R400300P	4" x 3"	4.000	4.000	3.000	0.083

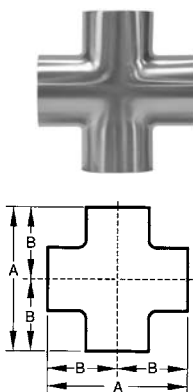
Polished 316L Stainless Steel.

### G



POLISHED TRUE (EQUAL) BUTT WELD "Y"				
PART NO.	TUBE O.D.	DIMENSION		NOMINAL WALL
		A	B	
B28W-R100P	1"	2.000	2.438	0.065
B28W-R150P	1½"	2.000	2.438	0.065
B28W-R200P	2"	2.625	3.250	0.065
B28W-R250P	2½"	3.370	4.125	0.065
B28W-R300P	3"	4.000	4.875	0.065
B28W-R400P	4"	5.375	5.375	0.083

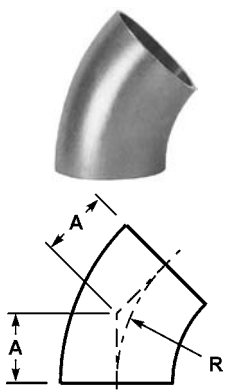
Polished 316L Stainless Steel.



POLISHED TRUE (EQUAL) BUTT WELD "Y"				
PART NO.	TUBE O.D.	DIMENSION		NOMINAL WALL
		A	B	
B9WWWW-R100P	1"	2.250	1.125	0.065
B9WWWW-R150P	1½"	3.312	1.656	0.065
B9WWWW-R200P	2"	4.125	2.062	0.065
B9WWWW-R250P	2½"	4.687	2.343	0.065
B9WWWW-R300P	3"	5.187	2.593	0.065
B9WWWW-R400P	4"	6.875	3.437	0.083

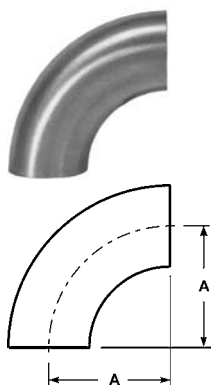
Polished 316L Stainless Steel.

**UK Dairy Standard Fittings. Polished OD, bright anealed or tumbled ID**



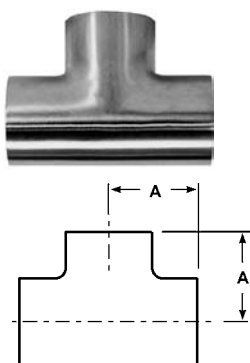
UK DAIRY ELBOWS LESS TANGENT – B2WK				
PART NO.	TUBE O.D.	DIMENSION		NOMINAL WALL
		A	R	
B2WK-R1005	1"	15.8	38.1	1.6
B2WK-R1505	1½"	23.7	57.2	1.6
B2WK-R2005	2"	31.6	76.2	1.6
B2WK-R2505	2½"	39.5	95.5	1.6
B2WK-R3005	3"	47.3	114.3	1.6
B2WK-R4005	4"	63.1	152.4	2

OD polished only 316 stainless steel



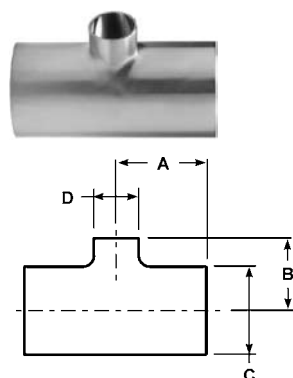
90° UK DAIRY ELBOWS – BUTT WELD ELBOWS LESS TANGENT – B2WCL			
PART NO.	TUBE O.D.	DIMENSION A	NOMINAL WALL
B2WCL-R505	½"	19.1	1.6
B2WCL-R755	¾"	28.6	1.6
B2WCL-R1005	1"	38.1	1.6
B2WCL-R1505	1½"	57.2	1.6
B2WCL-R2005	2"	76.2	1.6
B2WCL-R2505	2½"	95.3	1.6
B2WCL-R3005	3"	114.3	1.6
B2WCL-R4005	4"	152.4	2

OD polished only 316 stainless steel



UK DAIRY TEES – BUTT WELD / SHORT TEE-B7WWW			
PART NO.	TUBE O.D.	DIMENSION A	NOMINAL WALL
B7WWW-R505	½"	19.1	1.6
B7WWW-R755	¾"	28.6	1.6
B7WWW-R1005	1"	44	1.6
B7WWW-R1505	1½"	64	1.6
B7WWW-R2005	2"	89	1.6
B7WWW-R2505	2½"	114	1.6
B7WWW-R3005	3"	134	1.6
B7WWW-R4005	4"	195	2

OD polished only 316 stainless steel

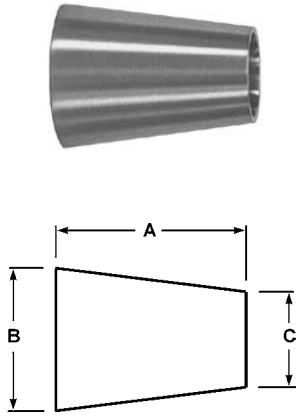


UK DAIRY TEES – BUTT WELD / REDUCING TEE – B7RWWW						
PART NO.	TUBE O.D.	DIMENSION				NOMINAL WALL
		A	B	C	D	
B7RWWW-R100505	1" x ½"	50	27	25.4	12.7	1.6
B7RWWW-R1501005	1½" x 1"	75	21.6	38.1	25.4	1.6
B7RWWW-R150505	1½" x ½"	75	27	30.1	12.7	1.6
B7RWWW-R2001005	2" x 1"	89	28.9	50.8	25.4	1.6
B7RWWW-R2502005	2½" x 2"	95	35	63.5	50.8	1.6
B7RWWW-R4002005	4" x 2"	127	107	101.6	50.8	2

OD polished only 316 stainless steel



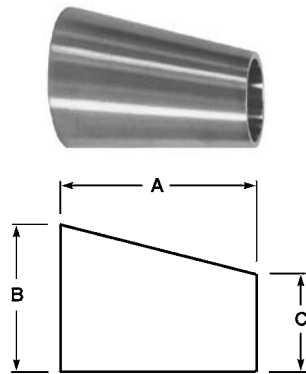
# Hygienic Products



UK DAIRY REDUCERS – BUTT WELD CONCENTRIC REDUCER – B31W					
PART NO.	TUBE O.D.	DIMENSION			NOMINAL WALL
		A	B	C	
B31W-R75505	¾" x ½"	19.1	19.1	12.7	1.6
B31W-R100505	1" x ½"	19.1	25.4	12.7	1.6
B31W-R100755	1" x ¾"	16	25.4	19.1	1.6
B31W-R150755	1½" x ¾"	31	38.1	19.1	1.6
B31W-R1501005	1½" x 1"	28	38.1	25.4	1.6
B31W-R2001505	2" x 1½"	31	50.8	38.1	1.6
B31W-R2001005	2" x 1"	49	50.8	25.4	1.6
B31W-R2502005	2½" x 2"	41	63.5	50.8	1.6
B31W-R2501505	2½" x 1½"	48	63.5	38.1	1.6
B31W-R2501005	2½" x 1"	76	63.5	25.4	1.6
B31W-R3002505	3" x 2½"	40	76.1	63.5	1.6
B31W-R3002005	3" x 2"	50	76.1	50.8	1.6
B31W-R3001505	3" x 1½"	74	76.1	38.1	1.6
B31W-R4003005	4" x 3"	51	101.6	76.1	2
B31W-R4002005	4" x 2"	100	101.6	50.8	2

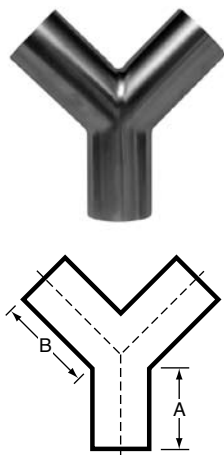
OD polished only 316 stainless steel

G



UK DAIRY REDUCERS – BUTT WELD ECCENTRIC REDUCER – B32W					
PART NO.	TUBE O.D.	DIMENSION			NOMINAL WALL
		A	B	C	
B32W-R1501005	1½" x 1"	29	38.1	25.4	1.6
B32W-R2001005	2" x 1"	48	50.8	25.4	1.6
B32W-R2502005	2½" x 2"	44	63.5	50.8	1.6
B32W-R3002005	3" x 2"	46	76.1	50.8	1.6
B32W-R4002005	4" x 2"	91	101.6	50.8	2

OD polished only 316 stainless steel



UK DAIRY TRUE (EQUAL) BUTT WELD "Y"				
PART NO.	TUBE O.D.	DIMENSION		NOMINAL WALL
		A	B	
B28W-R1005	1"	76.2	76.2	1.6
B28W-R1505	1½"	76.2	76.2	1.6
B28W-R2005	2"	101.6	101.6	1.6
B28W-R2505	2½"	127	127	1.6
B28W-R3005	3"	152.4	152.4	1.6
B28W-R4005	4"	203.2	203.2	2

OD polished only 316 stainless steel

## Bradford™ High Purity BioPharm Fittings

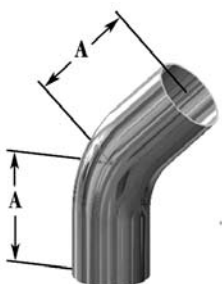
Dixon Group Europe's range of high purity BioPharm fittings comply with ASME BPE-2009-Table DT-5-1.



BPE Table #DT-7

90° ELBOWS			
PL Finish - SF1	PM Finish - SF4	Size	A
T2S-050PL	T2S-050PM	1/2"	3.00
T2S-075PL	T2S-075PM	3/4"	3.00
T2S-100PL	T2S-100PM	1"	3.00
T2S-150PL	T2S-150PM	1 1/2"	3.75
T2S-200PL	T2S-200PM	2"	4.75

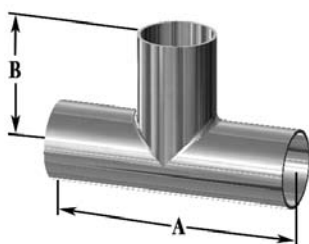
Also offered clamp end.



BPE Table #DT-8

45° ELBOWS			
PL Finish - SF1	PM Finish - SF4	Size	A
T2KS-050PL	T2KS-050PM	1/2"	2.250
T2KS-075PL	T2KS-075PM	3/4"	2.250
T2KS-100PL	T2KS-100PM	1"	2.250
T2KS-150PL	T2KS-150PM	1 1/2"	2.500
T2KS-200PL	T2KS-200PM	2"	3.000

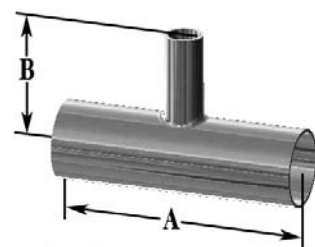
Also offered clamp end.



BPE Table #DT-9

TEES				
PL Finish - SF1	PM Finish - SF4	Size	A	B
T7WWW-050PL	T7WWW-050PM	1/2"	3.750	1.875
T7WWW-075PL	T7WWW-075PM	3/4"	4.000	2.000
T7WWW-100PL	T7WWW-100PM	1"	4.250	2.125
T7WWW-150PL	T7WWW-150PM	1 1/2"	4.750	2.375
T7WWW-200PL	T7WWW-200PM	2"	5.750	2.875

Also offered clamp end.



BPE Table #DT-10

REDUCING TEES				
PL Finish - SF1	PM Finish - SF4	Size	A	B
T7RWWW-075050PL	T7RWWW-075050PM	3/4" x 1/2"	4.000	2.000
T7RWWW-100050PL	T7RWWW-100050PM	1" x 1/2"	4.250	2.125
T7RWWW-100075PL	T7RWWW-100075PM	1" x 3/4"	4.250	2.125
T7RWWW-150050PL	T7RWWW-150050PM	1 1/2" x 1/2"	4.750	2.375
T7RWWW-150075PL	T7RWWW-150075PM	1 1/2" x 3/4"	4.750	2.375
T7RWWW-150100PL	T7RWWW-150100PM	1 1/2" x 1"	4.750	2.375
T7RWWW-200050PL	T7RWWW-200050PM	2" x 1/2"	5.750	2.625
T7RWWW-200075PL	T7RWWW-200075PM	2" x 3/4"	5.750	2.625
T7RWWW-200100PL	T7RWWW-200100PM	2" x 1"	5.750	2.625
T7RWWW-200150PL	T7RWWW-200150PM	2" x 1 1/2"	5.750	2.625

Also offered clamp end.

PL Finish – SF1

PM Finish – SF4

OD = 32Ra Mechanically Polished

OD = 32Ra Mechanically Polished

ID = 20Ra Mechanically Polished

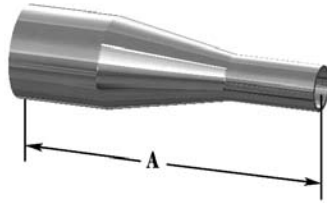
ID = 15Ra Mechanically Polished and Electropolished





# Hygienic Products

Dixon Group Europe's range of high purity BioPharm fittings comply with ASME BPE-2009-Table DT-5-1.

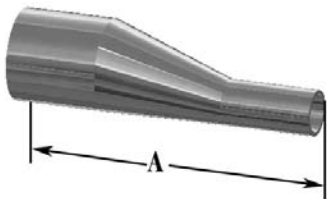


BPE Table #DT-11

CONCENTRIC REDUCERS			
PL Finish - SF1	PM Finish - SF4	Size	A
T31W-075050PL	T31W-075050PM	¾" x ½"	4.00
T31W-100050PL	T31W-100050PM	1" x ½"	4.50
T31W-100075PL	T31W-100075PM	1" x ¾"	4.00
T31W-150050PL	T31W-150050PM	1½" x ½"	5.50
T31W-150075PL	T31W-150075PM	1½" x ¾"	5.00
T31W-150100PL	T31W-150100PM	1½" x 1"	5.00
T31W-200050PL	T31W-200050PM	2" x ½"	7.75
T31W-200075PL	T31W-200075PM	2" x ¾"	7.25
T31W-200100PL	T31W-200100PM	2" x 1"	7.25
T31W-200150PL	T31W-200150PM	2" x 1½"	5.25

Also offered clamp end.

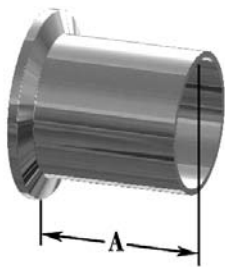
G



BPE Table #DT-11

ECCENTRIC REDUCERS			
PL Finish - SF1	PM Finish - SF4	Size	A
T32W-075050PL	T32W-075050PM	¾" x ½"	4.00
T32W-100050PL	T32W-100050PM	1" x ½"	4.50
T32W-100075PL	T32W-100075PM	1" x ¾"	4.00
T32W-150050PL	T32W-150050PM	1½" x ½"	5.50
T32W-150075PL	T32W-150075PM	1½" x ¾"	5.00
T32W-150100PL	T32W-150100PM	1½" x 1"	5.00
T32W-200050PL	T32W-200050PM	2" x ½"	7.75
T32W-200075PL	T32W-200075PM	2" x ¾"	7.25
T32W-200100PL	T32W-200100PM	2" x 1"	7.25
T32W-200150PL	T32W-200150PM	2" x 1½"	5.25

Also offered clamp end.



BPE Table #DT-22

AUTO WELD FERRULES			
PL Finish - SF1	PM Finish - SF4	Size	A
TL14AM7-050PL	TL14AM7-050PM	½"	1.75
TL14AM7-075PL	TL14AM7-075PM	¾"	1.75
TL14AM7-100PL	TL14AM7-100PM	1"	1.75
TL14AM7-150PL	TL14AM7-150PM	1½"	1.75
TL14AM7-200PL	TL14AM7-200PM	2"	2.25
TL14AM7-250PL	TL14AM7-250PM	2½"	2.25
TL14AM7-300PL	TL14AM7-300PM	3"	2.25
TL14AM7-400PL	TL14AM7-400PM	4"	2.25

Also offered clamp end.

PL Finish – SF1

OD = 32Ra Mechanically Polished

ID = 20Ra Mechanically Polished

Electropolished

PM Finish – SF4

OD = 32Ra Mechanically Polished

ID = 15Ra Mechanically Polished and

## Clamps Accessories

Service pressure ratings are based on the following parameters: matching elastomer gaskets and weld ferrules properly aligned and assembled with the clamps tightened to the required torques. Tests are done hydrostatically with no water hammer or shock loads. Please note the pressure ratings of the described unions are above the recommended pipe line operating pressures.



SINGLE PIN HEAVY DUTY CLAMPS WITH CROSS HOLE WING NUT - 13MHHM - 316				
Part Number	Tube OD	Service Pressure Rating @ 21°C (70°F)*	Service Pressure Rating @ 121°C (250°F)*	A
13MHHM-R100150	1" - 1½"	500	300	2.122
13MHHM-R200	2"	450	250	2.654
13MHHM-R250	2½"	400	200	3.185
13MHHM-R300	3"	350	175	3.717
13MHHM-R400	4"	300	150	4.820

\*wing nut tightened to 25in. lb of torque



SINGLE PIN HEAVY DUTY CLAMPS WITH CROSS HOLE WING NUT - 13MHHM - 304				
Part Number	Tube OD	Service Pressure Rating @ 21°C (70°F)*	Service Pressure Rating @ 121°C (250°F)*	A
13MHHM50-75	½" - ¾"	1500	1200	1.062
13MHHM100-150	1" - 1½"	500	300	2.122
13MHHM200	2"	450	250	2.654
13MHHM250	2½"	400	200	3.185
13MHHM300	3"	350	175	3.717
13MHHM400	4"	300	150	4.820

\*wing nut tightened to 25in. lb of torque



PTFE GASKETS	
PART NO.	SIZE
42MP-G50	½"
42MP-G75	¾"
40MP-G100	1"
40MP-G150	1½"
40MP-G200	2"
40MP-G250	2½"
40MP-G300	3"
40MP-G400	4"

- Colour code: no dot
- Meets 21CFR 177.1550
- Passed U.S.P. Class VI Cytotoxicity testing
- Not recommended for use with bolted clamps

### CAUTION

PTFE is a material subject to plastic flow. When cycled through heat and then cooled down in process lines, PTFE gaskets will not return to the original configuration and it will continue to compress as the cycling continues. This plastic flow will allow leakage if clamp torques are not maintained.

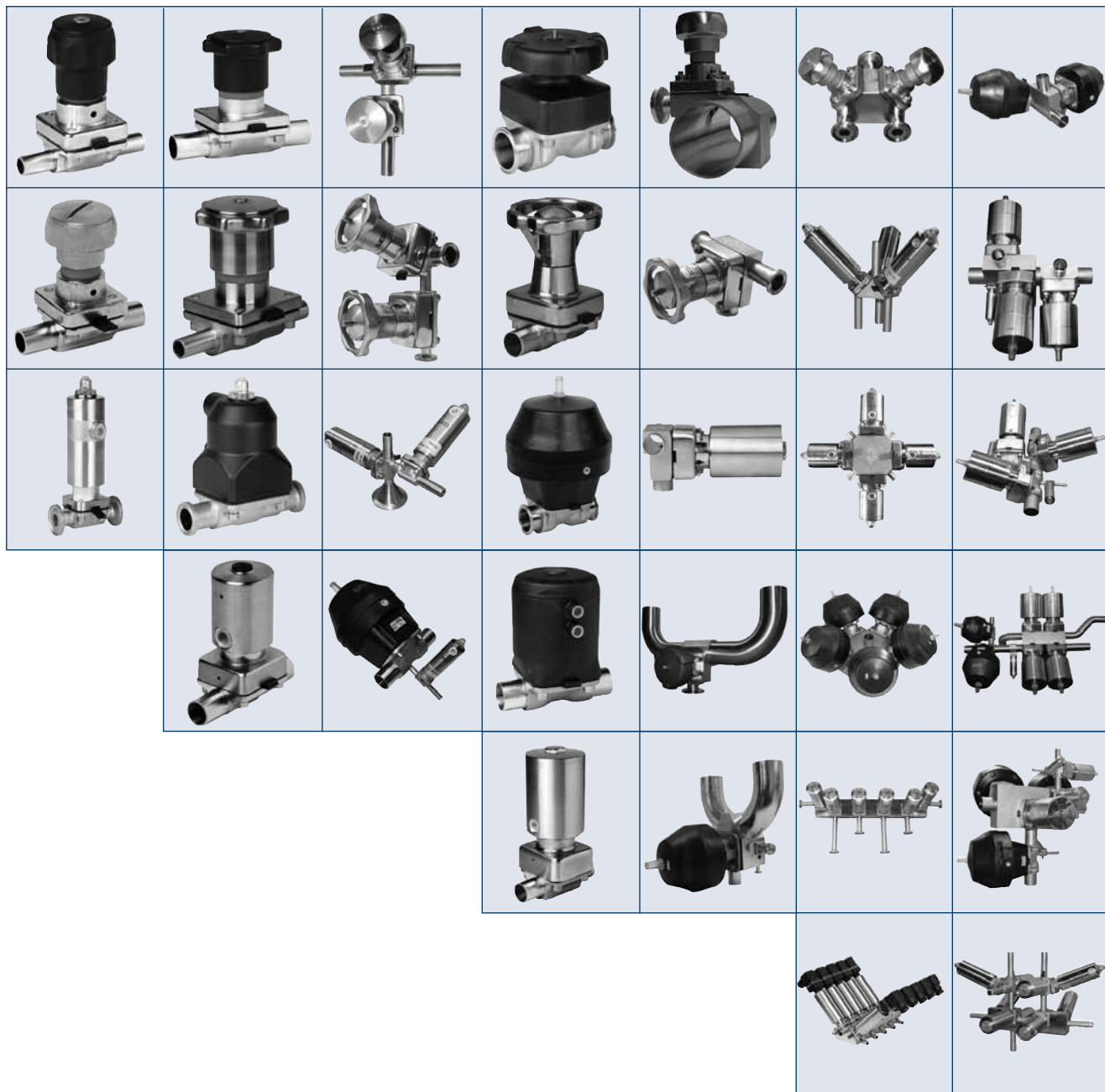
FOR FULL TECHNICAL BIOPHARM DETAILS SEE PAGES 495-497



# Hygienic Products

## High Purity BioPharm Aseptic Diaphragm Valve

Our product offering of standard 2-way valves, innovative custom fabrications and modular block body designs solve the more demanding process problems.



G

**Features:**

- Quick turn around
- 3D models
- Application engineering service

**Applications:**

Pharmaceutical, bio-processing, cosmetics, food and beverage, fine chemicals and semiconductor industries where aseptic and hygienic conditions are required.

**Processes:**

Highly sterile media, ultra-pure water, WFI (Water for Injection), ultra-pure chemicals, intermediate and end products in the pharmaceutical and bio-processing industries.

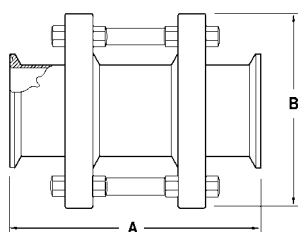
**Features:**

Sterile, reduced contact surface and hold up volume, easily drained, elimination of cross contamination and customer-specific process designs.

## Sight Glasses

### Product Specifications

- Size range:** • 1" - 6" OD
- Materials:** • 316L stainless steel  
• Borosilicate glass
- Finish:** • 3A sanitary finish ID and OD



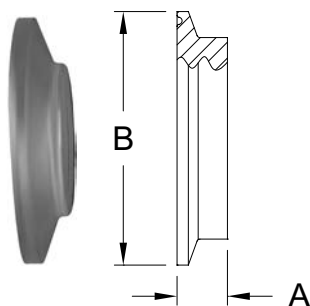
IN-LINE SIGHT GLASS - B54BMP				
PART NO.	TUBE OD	A	B	WORKING PRESSURE
B54BMP-R100	1"	5.625	3.250	145
B54BMP-R150	1½"	5.625	4.000	145
B54BMP-R200	2"	5.625	4.250	145
B54BMP-R250	2½"	6.125	4.750	120
B54BMP-R300	3"	7.250	5.500	120
B54BMP-R400	4"	7.375	6.500	95
B54BMP-R600	6"	7.625	9.500	80

- made with borosilicate (Pyrex®) glass with white buna gaskets
- various end configurations are available: clamp, weld, RJT, DIN, IDF, SMS
- maximum temperature: (200°F) 93°C

G

### KITS AND REPLACEMENT PARTS

SIZE	SEAL KIT PART NUMBER	REPLACEMENT GLASS PART NUMBER	SIZE	SEAL KIT PART NUMBER	REPLACEMENT GLASS PART NUMBER
1"	B54BMP-SK100	B54G-P100	3"	B54BMP-SK300	B54G-P300
1½"	B54BMP-SK150	B54G-P150	4"	B54BMP-SK400	B54G-P400
2"	B54BMP-SK200	B54G-P200	6"	B54BMP-SK600	B54G-P600
2½"	B54BMP-SK250	B54G-P250			



END CAPS – B5416MP			
PART NO.	TUBE OD	DIMENSIONS	
		A	B
B5416MP-A100150	1½"	0.438	1.984
B5416MP-A200	2"	0.438	2.516
B5416MP-A250	2½"	0.438	3.047
B5416MP-A300	3"	0.438	3.579
B5416MP-A400	4"	0.438	4.682
B5416MP-A600	6"	0.438	6.562

- For use on any line with a clamp and gasket
- Acrylic plastic
- Maximum temperature: (150°F) 66°C
- Maximum operating pressure: 100 PSI

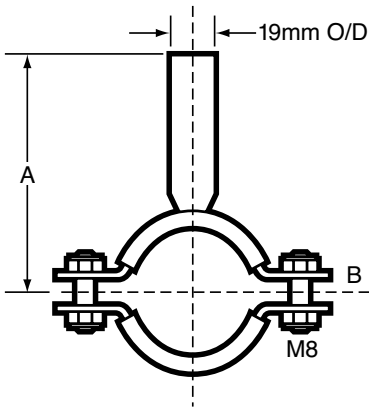


# Hygienic Products

## Pipe Hangers

### Support Recommendations

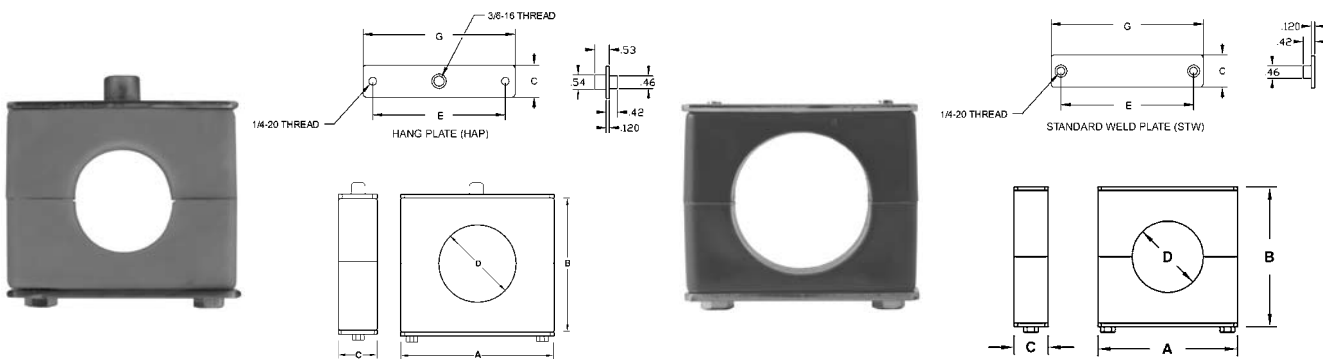
- Lines are not to be rigidly anchored to equipment. Lines must be allowed to float. Temperatures cause expansion and contraction and if mounted incorrectly will cause distortion and possibly leakage.
- Proper Installation:
  - Straight sections need support every 10 feet / 3 metres
  - Each side of every valve (as close as possible to the connection) needs support
  - Support at each change of direction



SADDLE CLIP			
Part No	Size	A	B
B24DB-G050	1/2"	90	3
B24DB-G100	1"	90	3
B24DB-G150	1 1/2"	90	3
B24DB-G200	2"	90	3
B24DB-G250	2 1/2"	90	3
B24DB-G300	3"	90	3
B24DB-G400	4"	90	3

G

### BLOCK STYLE TUBE HANGERS - B24



TUBE O.D.	HANG PLATE DESIGN							WELD PLATE DESIGN			
	A	B	C	D	E	F	G	HANG PLATE Polypropylene Number	STANDARD WELD PLATE Polypropylene Number	HANG PLATE Santoprene Number	STANDARD WELD PLATE Santoprene Number
1/2"	47.75	35.05	30.23	33.02	52.32	50.29	88.90	B24PPHAP-G50	B24PPSTW-G50	B24SPHAP-G50	B24SPSTW-G50
3/4"	47.75	35.05	30.23	33.02	52.32	50.29	88.90	B24PPHAP-G75	B24PPSTW-G75	B24SPHAP-G75	B24SPSTW-G75
1"	84.84	66.80	30.23	66.04	85.60	88.14	123.95	B24PPHAP-G100	B24PPSTW-G100	B24SPHAP-G100	B24SPSTW-G100
1 1/2"	84.84	66.80	30.23	66.04	85.60	88.14	123.95	B24PPHAP-G150	B24PPSTW-G150	B24SPHAP-G150	B24SPSTW-G150
2"	84.84	66.80	30.23	66.04	85.60	88.14	123.95	B24PPHAP-G200	B24PPSTW-G200	B24SPHAP-G200	B24SPSTW-G200
2 1/2"	127.00	111.25	30.23	107.95	127.76	139.70	165.10	B24PPHAP-G250	B24PPSTW-G250	B24SPHAP-G250	B24SPSTW-G250
3"	127.00	111.25	30.23	107.95	127.76	139.70	165.10	B24PPHAP-G300	B24PPSTW-G300	B24SPHAP-G300	B24SPSTW-G300
4"	146.56	121.92	30.23	125.73	146.56	146.05	165.10	B24PPHAP-G400	B24PPSTW-G400	B24SPHAP-G400	B24SPSTW-G400

- Santoprene - FDA approved material, maximum temperature 302°F (SP) / 150°C
- Polypropylene - maximum temperature 212°F (PP) / 100°C

## Hygienic Pressure Gauges

Full Range of Diaphragm Pressure Gauges. Stainless Steel construction filled with a FDA compliant, non-toxic gel media.

Used in Food, Pharmaceutical and Chemical applications.

Features: 100 mm (4") Gauge as standard. Other sizes available. Temperature compensated between -12 and 120°C. Accurate to + or - 1 % full-scale deflection. All Gauges supplied with a calibration certificate.

Diaphragm seal can be supplied with "wetted" or media contact parts in Stainless Steel, Hastelloy®, Monel® etc. For specific applications, price and availability, please contact Dixon.



**Connections / Fittings:** RJT, IDF, DIN, SMS, TRI -CLAMP.  
Call us for other connections.

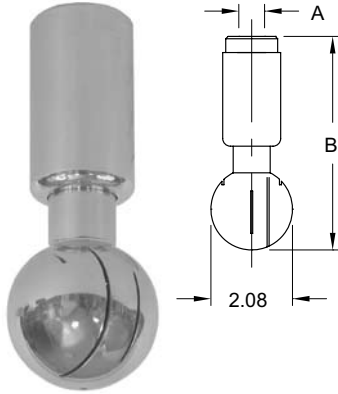


# Hygienic Products

## Spray Balls

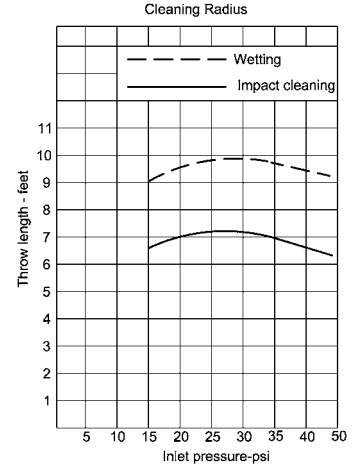
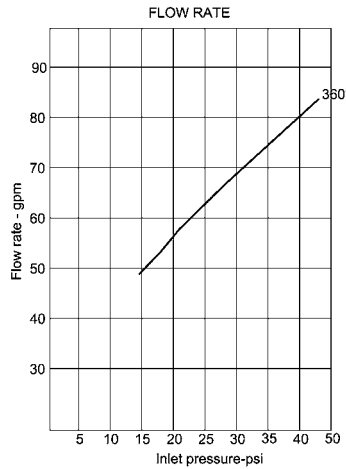
### Product Specifications

- Size range:** • ¾" and 1½" NPT • 1" and 1½" OD tube • 1½" clamp
- Materials:** • 304 stainless steel • 316L stainless steel
- Finish:** • 3A mirror-like finish (ID/OD)



ROTATING SPRAY BALLS - SRH					
304 STAINLESS STEEL PRODUCT NUMBER	316L STAINLESS STEEL PRODUCT NUMBER	SIZE	TYPE	A	B
SRH360NPT-G075	---	¾"	NPT	¾" NPT	5.46
---	SRH360NPT-R150	1½"	NPT	1½" NPT	5.46
SRH360CMP-G150	SRH360CMP-R150	1½"	Clamp	1.984	5.46

- 304 / 316L stainless steel
- stainless steel ball bearings to eliminate rust
- ideal for cleaning all types of tanks and vessels
- cleaning solution used to lubricate unit
- connections available: clamp and NPT
- mirror-like finish (ID/OD)
- spray pattern: 360°

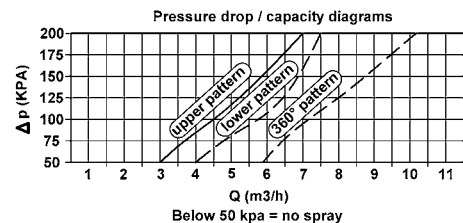
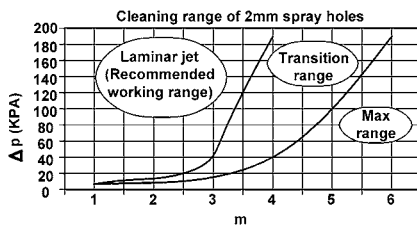
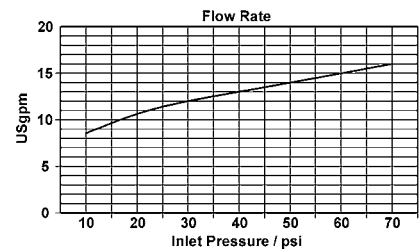
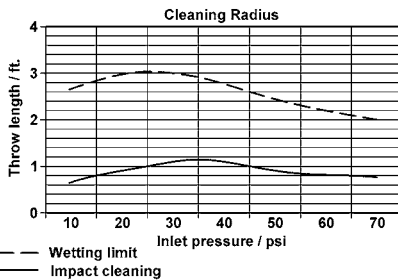


G



STATIONARY SPRAY BALLS - STC					
304 STAINLESS STEEL PRODUCT NUMBER	SIZE	SPRAY PATTERN	A	B	C
STC-360-R100	1"	360°	3.04	2.45	1.005
STC-360-R150	1½"	360°	3.54	2.95	1.505
STC-180B-R100	1"	180° bottom	3.54	2.95	1.005
STC-180B-R150	1½"	180° bottom	3.54	2.95	1.505
STC-180T-R100	1"	180° top	3.54	2.95	1.005
STC-180T-R150	1½"	180° top	3.54	2.95	1.505

- various spray patterns available, (blanks available as special order)
- stationary - designed to be mounted to a tube or pipe



## Check Valves



**Size range:** 1/2" - 4" O.D. (12-100mm)

**Materials:** R=316L

Contact Dixon for price and availability.

### Maintaining the standard.

The Hygienic Standard was created by the dairy industry as a voluntary benchmark for product performance and hygienic safety.

Our products have earned the  symbol, which requires an annual assessment to make certain each product conforms in all respects to the published standard. Dixon check valves carrying the symbol conform to the hygienic standards for fittings for milk and milk products. Dixon is proud to be a participant in the  program.



G

A variety of industries have trusted Dixon hygienic check valves for many years. Dixon check valves feature quick-disconnect clamp ends for quick and easy cleaning (RJT, DIN, SMS, IDF ends available). Check valves are used for hygienic, as well as industrial applications, to prevent backflow.

- Spring check valves are designed to prevent reverse flow. Concentric valves are available in 1/2" - 4"
- Ball check valves are used where full flow and low pressure drop of product during processing is required. When the flow of product is reversed, the PTFE ball rolls back and seats, thus preventing backflow. Sizes are available from 1 1/2" - 3"
- Air blow check valves are used to clear lines of CIP solutions or other products. Sizes are available from 1" - 4"



Telephone: +44 (0)1772 323529

Fax: +44 (0)1772 314664

183



# Hygienic Products

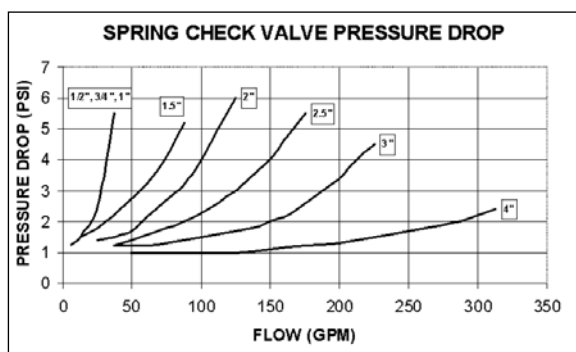
## Spring Check Valves



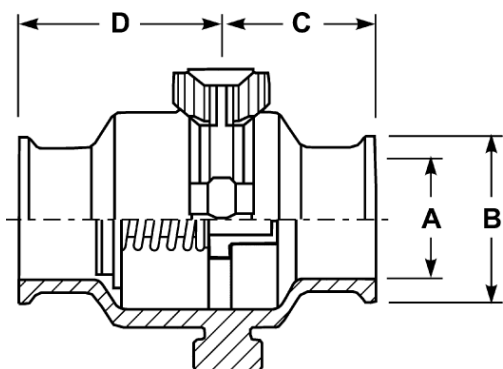
Get control with Dixon's high quality spring check valves. Spring check valves meet all 3A requirements and are designed to prevent reverse flow.

The valve opens once the pressure below the valve seat exceeds the pressure above the valve seat. It closes when the pressure is equalised.

- CF-8M (316) stainless steel
- Viton® seats
- Various end configurations available
- Full size flow plate with a long bushing helps to minimise stem wear
- Specially designed to prevent even low-pressure leak-through
- Maximum operating pressure: 145 psi
- Operating temperature range: 20°C (0°F) to 100°C (200°F)



G



PART NO.	SIZE	DIMENSIONS (inches)				PRESSURE RATING (PSI)	CRACKING PRESSURE (PSI)		FLOW COEFFICIENT (CV)
		A	B	C	D		SPRING #1	SPRING #2	
B45MP-R50	1/2"	0.370	0.992	1.1	1.6	145	10	0.6	5
B45MP-R75	3/4"	0.620	0.992	1.1	1.6	145	4	2	8
B45MP-R100	1"	0.870	1.988	1.7	2.3	145	0.8	N/A	12
B45MP-R150	1 1/2"	1.370	1.988	1.7	2.3	145	1.6	N/A	20
B45MP-R200	2"	1.870	2.519	1.7	2.3	145	1.4	N/A	40
B45MP-R250	2 1/2"	2.370	3.051	1.7	2.3	145	0.9	N/A	60
B45MP-R300	3"	2.870	3.582	1.7	2.3	145	0.5	N/A	100
B45MP-R400	4"*	3.834	4.682	1.7	2.7	145	0.5	N/A	210

\* 4" uses bolted construction in place of clamp

Note: Drawing is for dimensional information only. Specifications and dimensions are subject to change without notice.



## Ball Check Valves



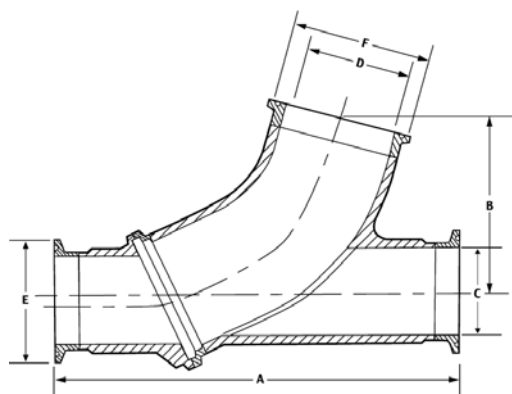
These rugged valves are designed to prevent reverse flow in systems moving liquid products.

When liquid flows into the inlet, a PTFE ball rolls up into the branch of the valve allowing full fluid flow. When the flow stops, equalising the pressure, the ball drops back into the seat, preventing backflow. Should reverse flow occur, the opposing pressure will cause the ball to seat firmly against the inlet gasket preventing backflow.

- Two piece construction for easier alignment during installation
- Various end configurations available: RJT, DIN, SMS, IDF, Clamp.
- Polished ID and OD to 3A standards
- Sizes from 1 1/2" - 3"
- All metal contact surfaces of 316 (CF8M) stainless steel construction
- Air blow check valve can be added (see air blow for sizing) page 186.
- PTFE ball



SIZE	COMPONENT SIZE (in)				BALL Ø	SEATING PRESSURE (inches) H2O	WEIGHT (lbs)
	BODY	CAP	CLAMP	GASKET			
1 1/2"	1 1/2"	2	2	2	1.6	0.75	4.9
2"	2"	2 1/2"	2 1/2"	2 1/2"	2.1	0.75	6.6
2 1/2"	2 1/2"	3"	3"	3"	2.7	0.75	10.5
3"	3"	4"	4"	4"	3.6	0.75	17.5



PART NO.	SIZE	DIMENSIONS (inches)					
		A	B	C	D	E	F
B45BY-R150	1 1/2"	7.5	3.3	1.365	1.875	1.984	2.516
B45BY-R200	2"	8.5	3.9	1.865	2.335	2.516	3.047
B45BY-R250	2 1/2"	10.0	4.5	2.370	2.870	3.047	3.579
B45BY-R300	3"	11.5	5.3	2.870	3.834	3.579	4.682

Note: Drawing is for dimensional information only. Specifications and dimensions are subject to change without notice.

# Hygienic Products

## Air Blow Check Valve

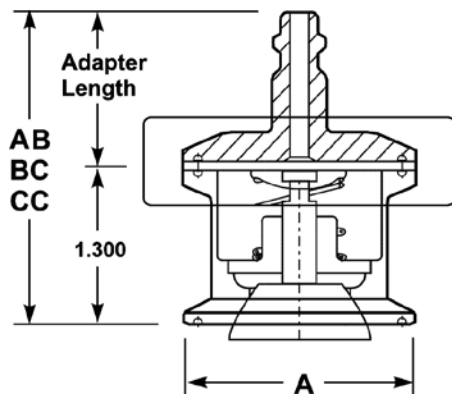


Dixon's air blow check valve is designed to evacuate lines of product or CIP solutions thus helping to protect the lines against corrosion. The valve's fail-safe operation prevents backflow with a simple air-to-open spring-to-close mechanism.

Attach and use with Dixon ball check valves, or any quick disconnect clamp configuration, to allow quick assembly and disassembly when replacing filter media, cleaning or inspecting.

FOR USE ON BALL CHECK VALVES:	
BALL CHECK VALVE SIZE	AIR BLOW VALVE SIZE
1 1/2"	2"
2"	2 1/2"
2 1/2"	3"
3"	4"

- 316L stainless steel offered with EPDM stem seat and gasket
- Sizes from 1 1/2" - 4"
- Conforms to 3A standards for filtration of air entering tanks or pipelines with optional filter disc
- Filter discs sold separately in packs of 50



PART NO.	SIZE	DIMENSIONS (inches)			
		A	AB	BC	CC
B45AB-R100150	1 - 1 1/2"	1.984	2.550	2.989	1.925
B45AB-R200	2"	2.516	2.550	2.989	1.925
B45AB-R250	2 1/2"	3.047	2.550	2.989	1.925
B45AB-R300	3"	3.579	2.550	2.989	1.925
B45AB-R400	4"	4.682	2.550	2.989	1.925

- Note:
- \* AB dimension reflects valve length and quick coupler adapter (B16AC) - (standard)
  - \* BC dimension reflects valve length and hose barb adapter (14MPHR)
  - \* CC dimension reflects valve length and NPT adapter (B23BMP)

Note: Drawing is for dimensional information only. Specifications and dimensions are subject to change without notice.

## Air Relief Valves



### Working Principle

The Bradford™ air relief valve allows air to be removed from a line or container without the liquid flowing out. Its design does not allow air to enter the line or container, even if subjected to a negative pressure. It is a double-seated valve with a freely moving polypropylene ball. The ball, which is lighter than water, closes against the upper or lower seat, depending on the pressure conditions.

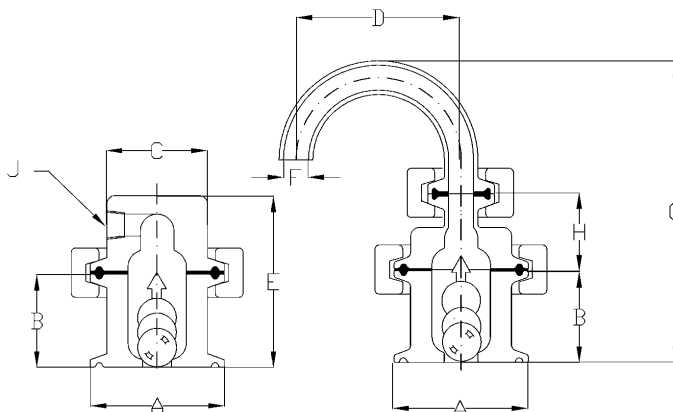
Get control with the dependable air relief valve which can be installed vertically on top of a tank, container or tube where air removal is required.

### Examples:

1. Bleeding of a tube line where an air pocket has formed. This application calls for installation at the top of the tube.
2. Bleeding of a tube on the suction side of a pump. The suction side is bled automatically, before the pump starts, establishing a vacuum. Binding of air to liquid will be prevented, and so will subsequent cavitation. In this application the valve is mounted in front of the pump, on the top of the inlet tube.

### Features and Benefits

- No tools for assembly or disassembly
- The ball and gaskets are replaceable
- The valve seals for both pressure and vacuum. The air and water can be directed away by using a plastic tube and the 1/8" FNPT connection port on the valve
- All product contact surfaces have a radius of 1/4" or better
- The valve ball is constructed of FDA, 3A approved polypropylene
- PTFE valve ball is available (density=0.078 lb/in3)
- Other gasket materials available



PART NO.	DESCRIPTION	DIMENSIONS (inches)								
		A	B	C	D	E	F	G	H	J
BARV-G150	air relief valve	1.98	1.4	1.5	-	2.4	-	-	-	1/8" NPT
BARVE-G150	3A air relief valve	1.98	1.4	-	1.5	-	0.37	4.5	1.1	-

Note: all dimensions are in inches. Dimensions are approximate. Engineering dimensions are available upon request. Specifications are subject to change without notice.



## Hygienic Products

### Ball Valves

**Size Range:** 1/2" - 4" O.D. (12 - 100mm)

**Materials:** (316) CF8M

**Type of ends available:** Clamp, Butt weld, RJT, DIN, SMS, IDF (other optional end connections available)

Contact your Dixon distributor for price and availability.




G

Businesses from food and beverage to pharmaceutical and cosmetics have trusted Dixon Hygienic ball valves for many years. The reason: Dixon Hygienic has the quality valves they need.

Ball valves are available in 1/2" - 4" and in various end connections such as triclamp, butt-weld, RJT, DIN, SMS, and IDF. Call for delivery as these ends are special order. Actuation is available in double acting, air-to-spring and electric. Please call for delivery as availability varies according to the requirements.

The Hygienic Standard was created by the dairy industry as a voluntary benchmark for product performance and hygienic safety. The standard, developed in collaboration by a group of processors, suppliers, regulatory officials and sanitation specialists, is generally accepted by regulatory authorities.

Our products have earned the  symbol, which requires an annual assessment to make certain each product conforms in all respects to the published standard. Dixon ball valves carrying the symbol conform to the hygienic standards for valves for milk and milk products (#68-00).

Dixon Hygienic is proud to be a participant in the programme and maintaining the standard.



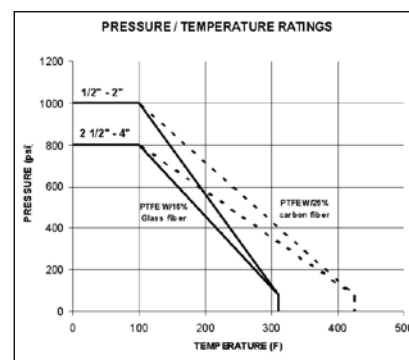
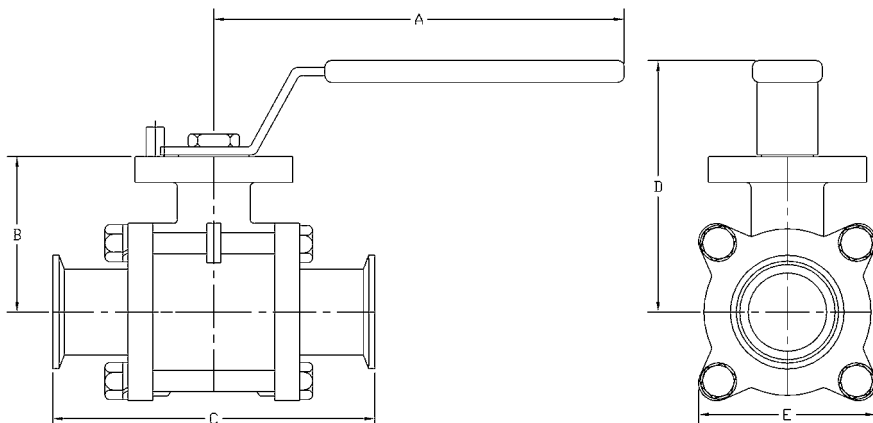
## 2-Way 3-piece Encapsulated Ball Valve



The Dixon ball valve is designed as a three piece construction with swing out centre section for easy field repair and cleaning in place. Operating parts are stainless steel type CF8M (316) conforming to ASTM A351, solution annealed and passivated for corrosion resistance.

The ball is fully encapsulated to eliminate cavities for bacteria to form. Live loaded stem packing provides a leak proof design which allows time for scheduled maintenance. The full port design creates less turbulence and is self draining. Elevated, integral ISO 5211 mounting pad is part of the valve design making actuation easy without any custom brackets. The handle makes this suitable for lock-out / tag-out applications.

- ID is polished to 3A or better
- Blow-out-proof stem design
- Various ends available: clamp, butt weld, RJT, DIN, SMS, AND IDF
- Live loaded stem packing
- Direct mount actuation: double, air to spring, and electric
- Rated at 1,000 PSI WOG (water, oil and gas), most applications



PART NO.	SIZE	DIMENSIONS (inches)					ASSEMBLY TORQUE (lbs)	BREAK TORQUE (lbs)	WEIGHT (lbs)
		A	B	C	D	E			
BV2C*-050CC-A	1/2"	4.7	1.5	4.3	3	1.9	160	50	1.5
BV2C*-075CC-A	3/4"	4.7	1.8	4.7	3.3	2.2	160	25	1.9
BV2C*-100CC-A	1"	5.2	2.1	4.9	3.6	2.4	160	90	2.7
BV2C*-150CC-A	1 1/2"	7.2	2.7	5.6	4.4	3.1	200	110	4.8
BV2C*-200CC-A	2"	7.2	3.1	6.4	4.8	3.7	212	300	8.9
BV2C*-250CC-A	2 1/2"	14.6	3.8	7.8	5.2	4.8	221	400	18.7
BV2C*-300CC-A	3"	15.7	4.2	9.0	5.7	5.4	239	550	29.7
BV2C*-400CC-A	4"	15.7	5.3	9.5	6.8	8.8	266	750	43.6

\* See seat material options chart on page 190.

All dimensions are in inches. Dimensions are approximate. Engineering dimensions are available upon request.

Specifications are subject to change without notice.

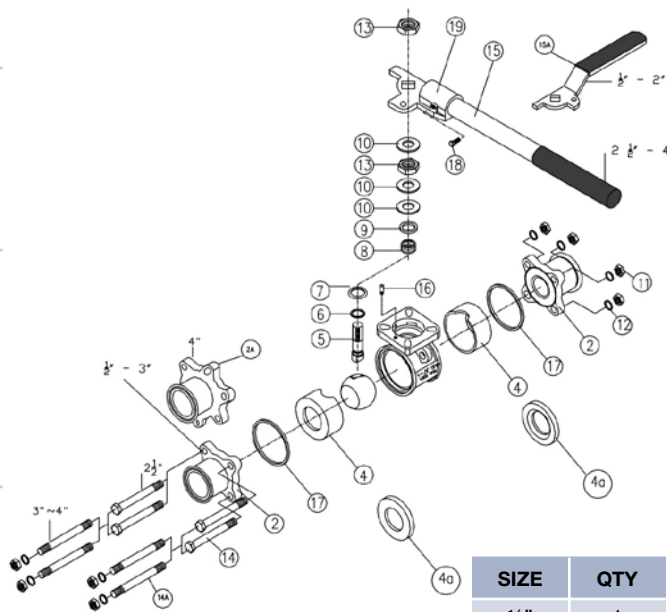


# Hygienic Products

## Encapsulated 2-way 3 Piece Stainless Steel Ball Valve

### Materials List for BV2C

ITEM	DESCRIPTION	MATERIAL	QUANTITY			
			1/2" - 2"	2 1/2"	3"	4"
1	body	ASTM A351-CF8M	1	1	1	1
2	end (4-bolt)	ASTM A351-CF8M	2	2	2	n/a
2A	end (6-bolt)	ASTM A351-CF8M	n/a	n/a	n/a	2
3	ball	ASTM A351-CF8M	1	1	1	1
4	seat (encapsulated)	see chart below	2	2	2	2
4A	seat (nonencap.)	see chart below	n/a	n/a	n/a	n/a
5	stem	see chart below	1	1	1	1
6	thrust washer	see chart below	1	1	1	1
7	O-ring	RTF	1	1	1	1
8	stem packing	see chart below	*	3	3	3
9	ring	AISI 316	1	1	1	1
10	bevel washer	AISI 301	3	3	3	3
11	hex nut	AISI 304	4	4	8	12
12	bolt washer	AISI 304	4	4	8	12
13	nut	AISI 304	2	2	2	2
14	bolt	AISI 304	4	4	n/a	n/a
14A	bolt (double thread)	AISI 304	n/a	n/a	4	6
15	handle	AISI 304/rubber	1	n/a	n/a	n/a
15A	handle (rod)	AISI 304/rubber	n/a	1	1	1
16	stop pin	AISI 316	1	1	1	1
17	gasket	see chart below	2	2	2	2
18	handle nut	AISI 304	n/a	1	1	1
19	handle head	AISI 304	n/a	1	1	1



SIZE	QTY
1/2"	1
3/4"	2
1" - 2"	3

G

### REPAIR KITS FOR BV2C

SIZE	VIRGIN PTFE	RTFE	25% CARBON TFE	50% STAINLESS PTFE	UMHW
1/2"	BV-2C-VK050	BV-2C-GK050	BV-2C-CK050	BV-2C-SK050	BV-2C-UK050
3/4"	BV-2C-VK075	BV-2C-GK075	BV-2C-CK075	BV-2C-SK075	BV-2C-UK075
1"	BV-2C-VK100	BV-2C-GK100	BV-2C-CK100	BV-2C-SK100	BV-2C-UK100
1 1/2"	BV-2C-VK150	BV-2C-GK150	BV-2C-CK150	BV-2C-SK150	BV-2C-UK150
2"	BV-2C-VK200	BV-2C-GK200	BV-2C-CK200	BV-2C-SK200	BV-2C-UK200
2 1/2"	BV-2C-VK250	BV-2C-GK250	BV-2C-CK250	BV-2C-SK250	BV-2C-UK250
3"	BV-2C-VK300	BV-2C-GK300	BV-2C-CK300	BV-2C-SK300	BV-2C-UK300
4"	BV-2C-VK400	BV-2C-GK400	BV-2C-CK400	BV-2C-SK400	BV-2C-UK400

### Repair Kit contains:

- (2) body seals
- (2) O-rings
- (1) thrust washer
- (3) stem packings

Non-encapsulated version also available for actuation.

### SEAT MATERIAL OPTIONS

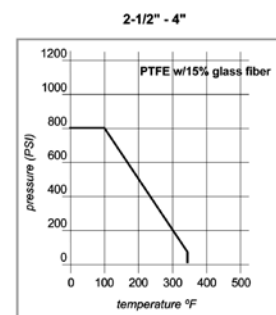
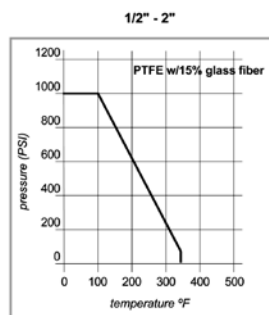
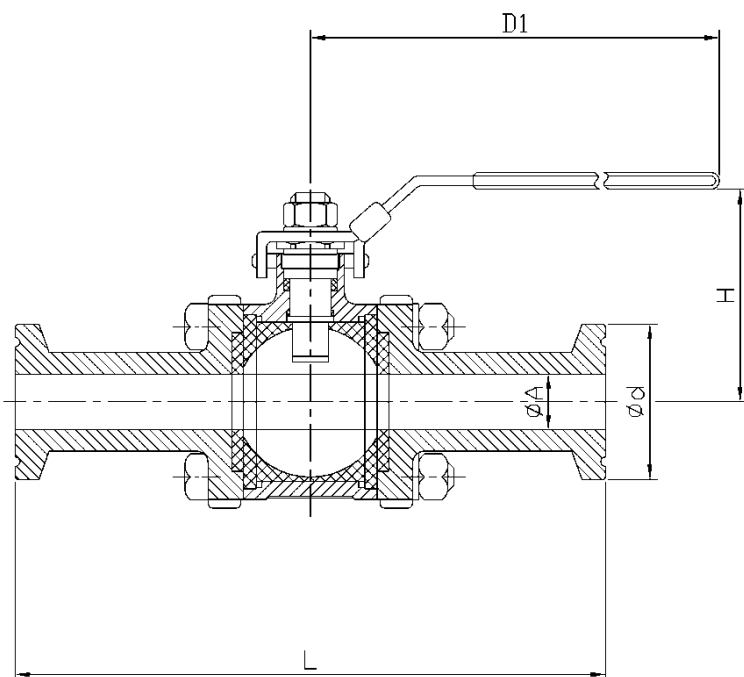
CODE	DESCRIPTION
V	Virgin PTFE
G	RTFE
C	25% carbon PTFE
S	SS reinforced PTFE
U	UHMW

## 2-Way 3-piece Non-Encapsulated Ball Valve



This ball valve is designed as a three piece construction with swing out centre section for easy field repair and cleaning in place. Operating parts are stainless steel type CF8M (316) conforming to ASTM A351, solution annealed and passivated for corrosion resistance. Integral ISO 5211 mounting pad is part of the valve design making actuation easy without any custom brackets. The handle makes this suitable for lock-out / tag-out applications.

- ID is polished to 3A or better
- Blow-out-proof stem design
- Various Ends Available: Clamp, RJT, Buttweld, DIN, SMS & IDF
- Actuation available: double, air-to-spring, and electric
- Rated at 1,000 PSI WOG (water, oil and gas), most applications



PART NO.	SIZE	DIMENSIONS (inches)					BREAK TORQUE (lbs)	WEIGHT (lbs)
		D1	H	L	ØA	ØD		
BV2GG-050CC-A	1/2"	4.1	2.3	4.6	0.37	1.0	55	1.4
BV2GG-075CC-A	3/4"	4.1	2.5	4.7	0.63	1.0	71	1.8
BV2GG-100CC-A	1"	5.0	2.8	4.9	0.87	2.0	101	2.6
BV2GG-150CC-A	1 1/2"	6.1	3.5	5.6	1.38	2.0	221	4.6
BV2GG-200CC-A	2"	7.6	3.9	6.4	1.87	2.5	345	8.5
BV2GG-250CC-A	2 1/2"	7.6	4.4	7.8	2.37	3.0	883	17.8
BV2GG-300CC-A	3"	10.9	4.9	9.0	2.87	3.6	830	28.2
BV2GG-400CC-A	4"	13.2	6.6	9.6	3.83	4.7	1323	41.4

Note: all dimensions are in inches. Dimensions are approximate. Engineering dimensions are available upon request.

Specifications are subject to change without notice.





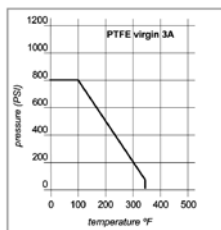
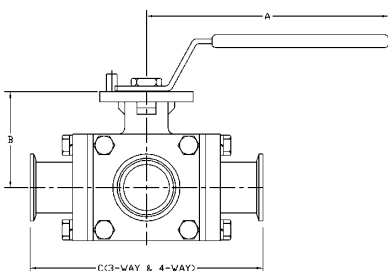
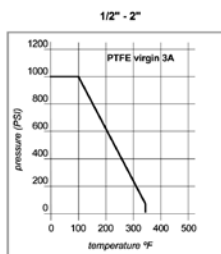
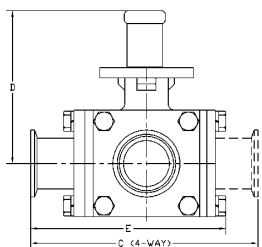
# Hygienic Products

## 3-Way Encapsulated Hygienic Ball Valve



The Dixon 3-way ball valve is designed with a balanced four seat construction. Live loaded stem packing provides a leak-proof design allowing time to schedule maintenance. Operating parts are stainless steel type CF8M (316) conforming to ASTM A351, solution annealed and passivated for corrosion resistance. It is fully encapsulated to eliminate cavities for bacteria to form. Multiple flow patterns allow for more versatility in your processing applications. Integral ISO 5211 mounting pad is part of the valve design making actuation easy. The handle makes this suitable for lock-out / tag-out applications.

- ID is polished to 3A or better (Ra 32 min 0.8 micron)
- Blow-out-proof stem design
- Various ends available: Clamp, Butt weld, RJT, DIN, SMS, and IDF
- Actuation available: double-acting, air-to-spring, electric
- Rated at 1,000 PSI WOG (water, oil and gas) most applications
- Live loaded stem packing
- T and L flow patterns (side entry only)



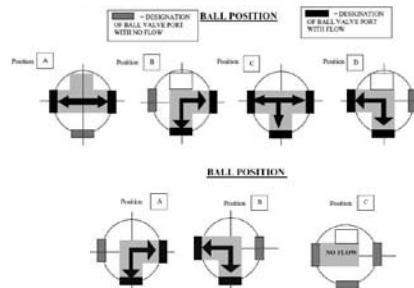
G

3-WAY 'L' PORT PART NUMBER	3-WAY 'T' PORT PART NUMBER	SIZE (inches)	DIMENSIONS (inches)					BREAK TORQUE (IN-LBS.)		WEIGHT (LBS.)
			A	B	C	D	E	'L' PORT	'T' PORT	
BV3S*LF050CC-A	BV3S*TF050CC-A	1/2"	4.7	1.8	4.6	3.2	3.9	62	50	3.6
BV3S*LF075CC-A	BV3S*TF075CC-A	3/4"	4.7	1.9	5.0	3.4	4.2	75	60	4.3
BV3S*LF100CC-A	BV3S*TF100CC-A	1"	5.2	2.3	6.0	3.8	5.0	100	80	6.8
BV3S*LF150CC-A	BV3S*TF150CC-A	1 1/2"	7.2	2.8	6.9	4.5	5.8	262	210	12.6
BV3S*LF200CC-A	BV3S*TF200CC-A	2"	7.2	3.2	7.5	5.0	6.7	535	425	21.6
BV3S*LF250CC-A	BV3S*TF250CC-A	2 1/2"	14.6	3.9	9.0	5.3	7.1	1250	1000	33.7
BV3S*LF300CC-A	BV3S*TF300CC-A	3"	15.7	4.9	10.2	6.4	8.5	1625	1300	56.4
BV3S*LR400CC-A	BV3S*TR400CC-A	4"	15.7	5.3	11.4	6.8	10.6	1875	1500	85.4

• (\*) see seat material options chart on page 193.

• All dimensions are in inches. Dimensions are approximate. Engineering dimensions are available upon request. Specifications are subject to change without notice.

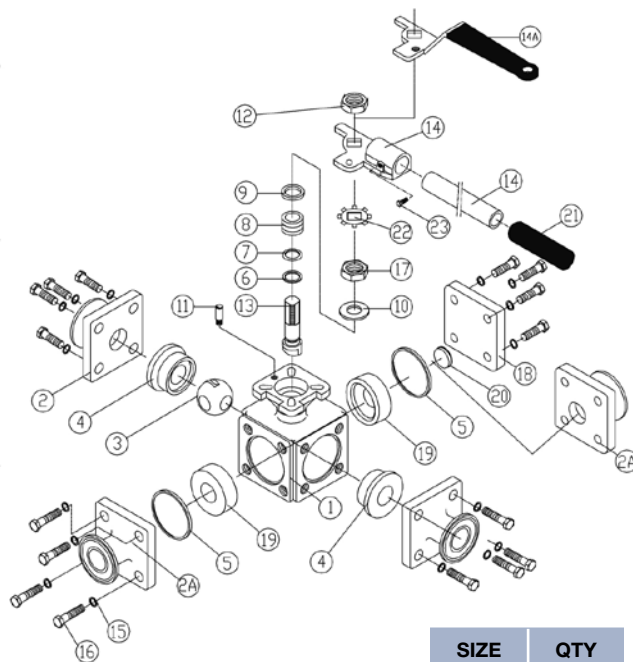
T PATTERN (TOP VIEW, 3 WAY, SIDE ENTRY)					
NUMBER	ROTATION	FLOW PLAN OPTIONS	NUMBER	ROTATION	FLOW PLAN OPTIONS
1	90°	1	5	180°	1
2	90°	2	6	180°	2
3	90°	3	7	180°	3
4	90°	4	8	180°	4



## Multi-port 3-way Hygienic Stainless Steel Ball Valve

### Materials List for BV3S/BV4S

ITEM	DESCRIPTION	MATERIAL	QUANTITY			
			3-WAY		4-WAY	
			1/2"-2"	2 1/2"-4"	1/2"-2"	2 1/2"-4"
1	body	ASTM A351-CF8M	1	1	1	1
2	end (large)	ASTM A351-CF8M	3	1	4	2
2A	end (small)	ASTM A351-CF8M	n/a	2	n/a	2
3	ball	ASTM A351-CF8M	1	1	1	1
4	seat 1	see chart below	2	2	2	2
5	gasket	see chart below	2	2	2	2
6	thrust washer	see chart below	1	1	1	1
7	O-ring	RTF	1	1	1	1
8	stem packing	see chart below	*	3	*	3
9	ring	AISI 316	1	1	1	1
10	spring washer	AISI 301	2	2	2	2
11	stop pin	AISI 316	1	1	1	1
12	nut	AISI 304	1	1	1	1
13	stem	AISI 316	1	1	1	1
14	handle	AISI 304	n/a	1	n/a	1
14A	handle w/cover	AISI 304/plastic	1	n/a	1	n/a
15	lock washer	AISI 304	16	16	16	16
16	bolt	AISI 304	16	16	16	16
17	stem packing nut	AISI 304	1	1	1	1
18	cover plate	ASTM A351-CF8M	1	1	n/a	n/a
19	seat 2	see chart below	2	2	2	2
20	plug	see chart below	1	1	n/a	n/a
21	handle cover	plastic	n/a	1	n/a	1
22	lock washer	AISI 304	n/a	1	n/a	1
23	handle bolt	AISI 304	n/a	1	n/a	1



SIZE	QTY
1/2"	1
3/4"	2
1" - 2"	3



REPAIR KITS FOR BV3S					
SIZE	VIRGIN PTFE	RTFE	25% CARBON TFE	50% STAINLESS PTFE	UMHW
1/2"	BV-3SVFRK050	BV-3SGRK050	BV-3SCRK050	BV-3SSRK050	BV-3SURK050
3/4"	BV-3SVFRK075	BV-3SGRK075	BV-3SCRK075	BV-3SSRK075	BV-3SURK075
1"	BV-3SVFRK100	BV-3SGRK100	BV-3SCRK100	BV-3SSRK100	BV-3SURK100
1 1/2"	BV-3SVFRK150	BV-3SGRK150	BV-3SCRK150	BV-3SSRK150	BV-3SURK150
2"	BV-3SVFRK200	BV-3SGRK200	BV-3SCRK200	BV-3SSRK200	BV-3SURK200
2 1/2"	BV-3SVFRK250	BV-3SGRK250	BV-3SCRK250	BV-3SSRK250	BV-3SURK250
3"	BV-3SVFRK300	BV-3SGRK300	BV-3SCRK300	BV-3SSRK300	BV-3SURK300
4"	BV-3SVFRK400	BV-3SGRK400	BV-3SCRK400	BV-3SSRK400	BV-3SURK400

Repair Kit contains:

- (2) body seals
- (2) O-rings
- (1) thrust washer
- (3) stem packings

Non-encapsulated version also available for actuation.

SEAT MATERIAL OPTIONS	
CODE	DESCRIPTION
V	Virgin PTFE
G	RTFE
C	25% carbon PTFE
S	SS reinforced PTFE
U	UHMW

4 way available. Contact Dixon for more information.



# Hygienic Products

## Multi-port 4-way Hygienic Stainless Steel Ball Valve



SIZE	L' PORT PART NUMBER	'T' PORT PART NUMBER
1/2"	BV4S*LF050CC-A	BV4S*TF050CC-A
3/4"	BV4S*LF075CC-A	BV4S*TF075CC-A
1"	BV4S*LF100CC-A	BV4S*TF100CC-A
1 1/2"	BV4S*LF150CC-A	BV4S*TF150CC-A
2"	BV4S*LF200CC-A	BV4S*TF200CC-A
2 1/2"	BV4S*LF250CC-A	BV4S*TF250CC-A
3"	BV4S*LF300CC-A	BV4S*TF300CC-A
4"	BV4S*LR400CC-A	BV4S*TR400CC-A

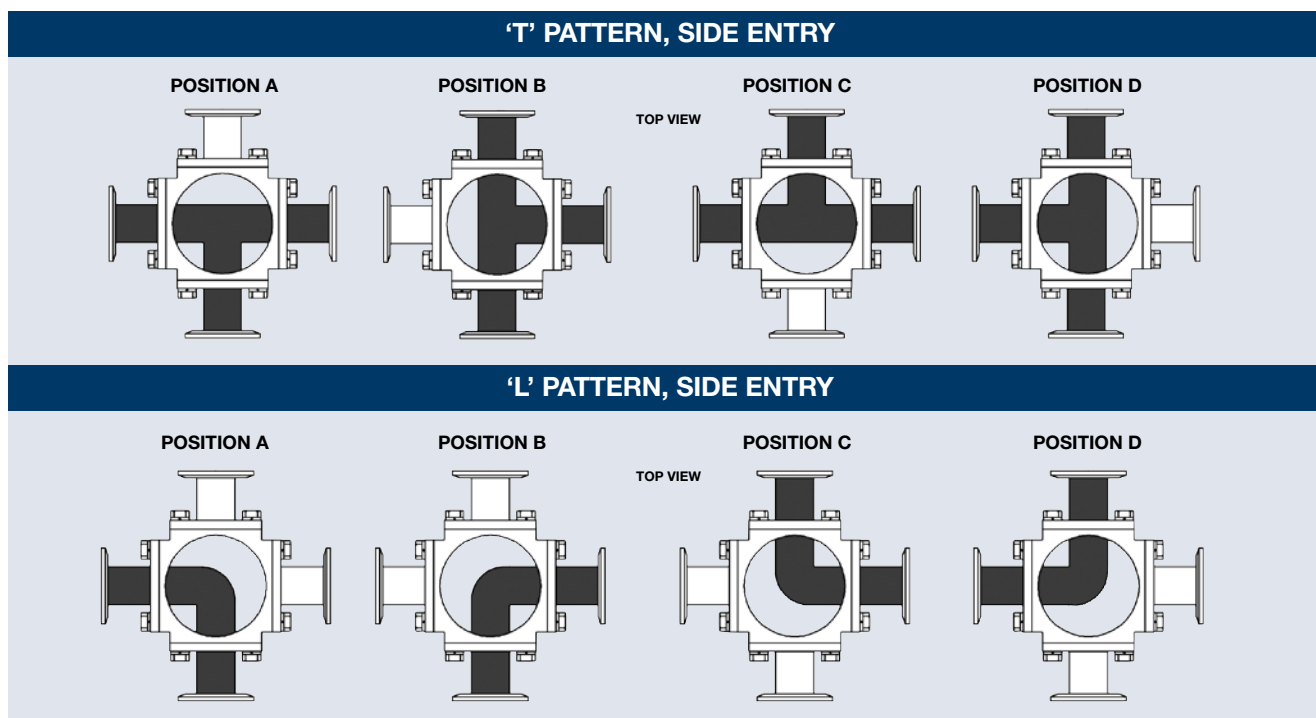
REPAIR KITS FOR BV4S					
SIZE	VIRGIN PTFE	RTFE	25% CARBON TFE	50% STAINLESS PTFE	UMHW
1/2"	BV-4SVRK050	BV-4SGRK050	BV-4SCRK050	BV-4SSRK050	BV-4SURK050
3/4"	BV-4SVRK075	BV-4SGRK075	BV-4SCRK075	BV-4SSRK075	BV-4SURK075
1"	BV-4SVRK100	BV-4SGRK100	BV-4SCRK100	BV-4SSRK100	BV-4SURK100
1 1/2"	BV-4SVRK150	BV-4SGRK150	BV-4SCRK150	BV-4SSRK150	BV-4SURK150
2"	BV-4SVRK200	BV-4SGRK200	BV-4SCRK200	BV-4SSRK200	BV-4SURK200
2 1/2"	BV-4SVRK250	BV-4SGRK250	BV-4SCRK250	BV-4SSRK250	BV-4SURK250
3"	BV-4SVRK300	BV-4SGRK300	BV-4SCRK300	BV-4SSRK300	BV-4SURK300
4"	BV-4SVRK400	BV-4SGRK400	BV-4SCRK400	BV-4SSRK400	BV-4SURK400

Repair Kit contains:

- (2) body seals
- (2) O-rings
- (1) thrust washer
- (3) stem packings

G

## 4-Way Ball Valve Flow Options



## Ball Valve Automation

### Manual Ball Valves with Limit Switch

Dixon Hygienic offers remote indication on manual valve.

This allows an operator to see valve position from a central panel in the plant, saving labour costs.

#### Features and Benefits

- Signal back equipment can be provided for information on open / close positions, intermediate and proportional feedback
- Position detection can be determined using mechanical switches, proximity switches, or 4-20 mA signal transmission in NEMA 4 or NEMA 7 enclosures.



Bradford™ manual ball valve pictured with remote indication. **BV2CV-150CC-LB** Remote indication is also available on butterfly valves.

G

### Multi-port Hygienic Ball Valves with Actuator



Bradford™ automated 1½" 3-way 'L'-port encapsulated hygienic ball valve with double acting actuator and NEMA 4 limit switch with two SPDT mechanical switches and NEMA 4 115 VAC solenoid pictured. **BV3SVLF150CBXC**.



Bradford™ automated ½" 3-way 'L'-port encapsulated hygienic ball valve with double acting actuator and NEMA 4 limit switch with two SPDT mechanical switches and NEMA 4 115 VAC solenoid pictured. **BV3SVLF050CBXC**.

## Hygienic Products

### Ball Valve Automation (continued)

#### 3 piece Stainless Steel Hygienic Ball Valves

Dixon Hygienic offers various configurations of automated hygienic 2-way ball valves. Call for price and delivery of different options.



Bradford™ automated 1/2" encapsulated 2-way ball valve butt-welded ends, spring return actuator and NEMA 7 (explosion proof) SPDT limit switch with two proximity switches and NEMA 7 NAMUR mount 24VDC voltage solenoid valve pictured. **BV2CV-050BB-FPC**.



Bradford™ automated 3" encapsulated ball valve with direct mount double acting, (normally open), actuator and NEMA 7 (explosion proof with 2 mechanical switches) SPDT limit switch pictured. **BV2CV-300CC-QAC**.



Bradford™ automated 2 1/2" 2-way encapsulated ball valve with spring return fail close actuator and NEMA 4/4X limit switch with two SPDT mechanical switches pictured. **BV2CV-250CC-BFC**.



## Butterfly Valves

- Size Range:** 1" - 8" O.D. (25 - 200mm)
- Materials:** (316) CF8M
- Type of ends available:** Clamp, Butt weld, RJT, DIN, SMS, IDF
- Type of seats available:** EPDM, Viton®, Silicone

Contact Dixon for price and availability.



Dixon Hygienic offers a wide selection of Bradford™ stainless steel butterfly valves for use in hygienic process systems. These valves are simple, rugged and above all, dependable. Bradford™ butterfly valves can be used either as a shutoff valve (on/off service) or as a throttling valve (for flow control).

Pneumatic or electric actuators are available for automated control.

All Bradford™ butterfly valves are assembled without silicone lubricant.

G



## Hygienic Products

### B5101 Series Butterfly Valve

#### Application

Get control with the Bradford™ B5101 series stainless steel butterfly valves. The slim design, superior craftsmanship, choice materials, top quality strength and surface finished make the B5101 the preference of many industries with hygienic requirements. Various elastomers, end types and accessories make this a highly versatile valve.

Typical uses would include isolation of equipment, fill/drain systems, bypass systems and other similar applications.

#### Working Principle

The B5101 is actuated manually with various handle options or remotely by a pneumatic or electric actuator.

A variety of handle options for manual flow regulation are available. The valve is fully open when the handle is parallel to the pipeline.



G

Pneumatic actuators are available in three styles:

- air to open - spring to close (ATO/STC)
- air to close - spring to open (ATC/STO)
- double acting (ATO/ATC)

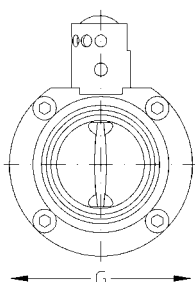
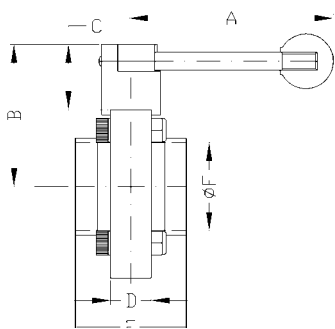
#### Features and Benefits

- Low resistance to flow
- Bi-directional
- Gentle to media
- Suitable for low and medium viscosity fluids
- Field serviceable (no special tools required)
- Self-draining
- Various manual or automatic operators available
- Special handle available for accurate, manual flow balancing capabilities
- Polyacetal bushings for the valve disc reduce friction and increase cycle life
- Optional wing nut kit is available for effortless valve assembly and disassembly
- 100% tested/100% inspected
- All wetted surfaces are hygienic finished to < 32Ra
- Seat materials available include: silicone, EPDM, Viton®, (6" EPDM and silicone, 8" EPDM only)
- Sizes from 1" - 8"

**B5101 Series Butterfly Valve**



B51 SERIES BUTTERFLY VALVE WITH PULL HANDLE			
SIZE	PART NUMBER WITH SILICONE SEATS	PART NUMBER WITH VITON® SEATS	PART NUMBER WITH EPDM SEATS
1"	B5101S100XX-A	B5101V100XX-A	B5101E100XX-A
1½"	B5101S150XX-A	B5101V150XX-A	B5101E150XX-A
2"	B5101S200XX-A	B5101V200XX-A	B5101E200XX-A
2½"	B5101S250XX-A	B5101V250XX-A	B5101E250XX-A
3"	B5101S300XX-A	B5101V300XX-A	B5101E300XX-A
4"	B5101S400XX-A	B5101V400XX-A	B5101E400XX-A
6"	B5101S600XX-A	--	B5101E600XX-A
8"	-----	--	B5101E800XX-A



SIZE	DIMENSIONS (mm)						
	A	B	C	D	E	F	G
1"	111.76	71.12	35.56	22.86	48.26	22.86	78.74
1½"	111.76	71.12	35.56	22.86	48.26	35.56	78.74
2"	111.76	78.74	35.56	22.86	50.80	48.26	99.06
2½"	111.76	88.90	35.56	22.86	53.34	60.96	116.84
3"	157.48	96.52	33.02	30.48	63.50	73.66	132.08
4"	157.48	114.30	33.02	30.48	78.74	96.52	170.18
6"	292.10	139.70	33.02	30.48	139.70	147.32	215.90
8"	457.20	175.26	40.64	30.48	124.46	198.12	284.48

Note: All dimensions are for Butt Weld End option. Dimensions are approximate. Engineering dimensions are available upon request. Specifications are subject to change without notice.

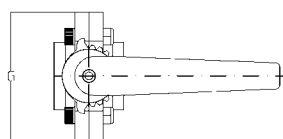
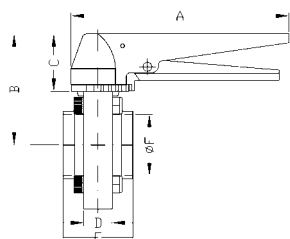


RJT, DIN, SMS, IDF CLAMP ENDS AVAILABLE.

**B51 SERIES BUTTERFLY VALVE WITH TRIGGER HANDLE**



SIZE	PART NUMBER WITH SILICONE SEATS	PART NUMBER WITH VITON® SEATS	PART NUMBER WITH EPDM SEATS
1"	B5101S100XX-C	B5101V100XX-C	B5101E100XX-C
1½"	B5101S150XX-C	B5101V150XX-C	B5101E150XX-C
2"	B5101S200XX-C	B5101V200XX-C	B5101E200XX-C
2½"	B5101S250XX-C	B5101V250XX-C	B5101E250XX-C
3"	B5101S300XX-C	B5101V300XX-C	B5101E300XX-C
4"	B5101S400XX-C	B5101V400XX-C	B5101E400XX-C
6"	B5101S600XX-C	--	B5101E600XX-C
8"	-----	--	B5101E800XX-C



SIZE	DIMENSIONS (mm)						
	A	B	C	D	E	F	G
1"	167.64	76.20	43.18	22.86	48.26	22.86	78.74
1½"	167.64	76.20	43.18	22.86	48.26	35.56	78.74
2"	167.64	88.90	43.18	22.86	50.80	48.26	99.06
2½"	167.64	93.98	43.18	22.86	53.34	60.96	116.84
3"	167.64	99.06	43.18	30.48	63.50	73.66	132.08
4"	167.64	121.92	43.18	30.48	78.74	96.52	170.18

Note: All dimensions are for Butt Weld End option. Dimensions are approximate. Engineering dimensions are available upon request. Specifications are subject to change without notice.

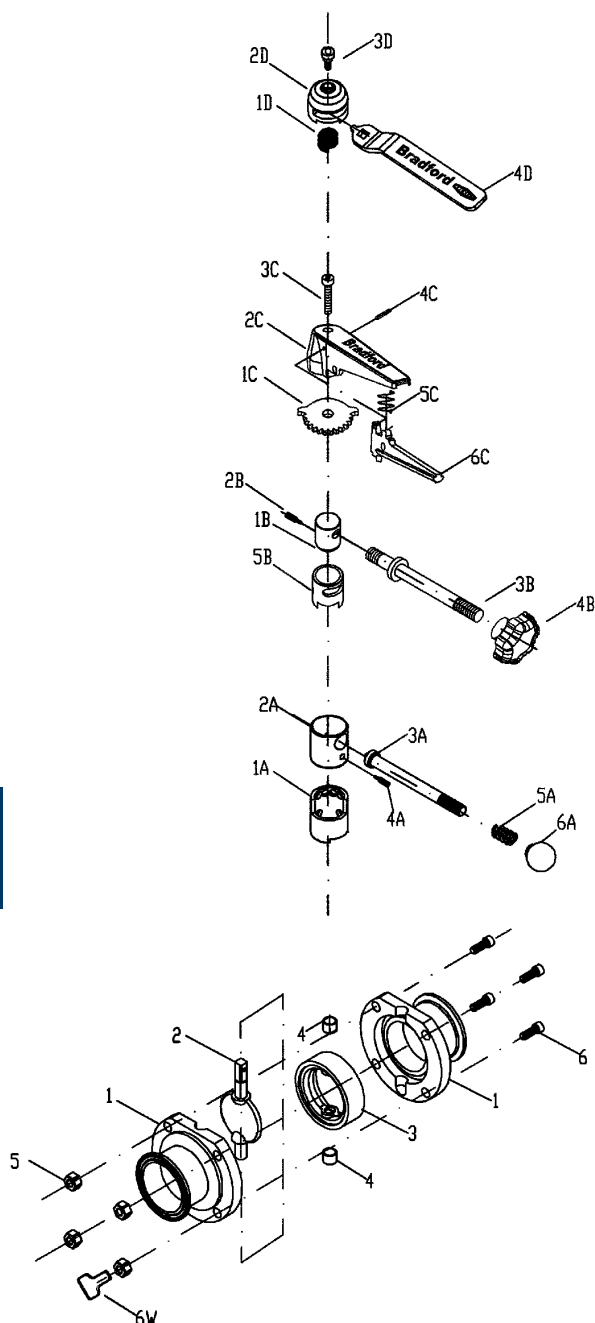
RJT, DIN, SMS, IDF CLAMP ENDS AVAILABLE.





# Hygienic Products

G



MATERIALS LIST			
ITEM #	DESCRIPTION	MATERIAL	QTY
<b>PUSH HANDLE</b>			
1D	spring	304	1
2D	hub	CF8	1
3D	handle	CF8	1
4D	hex socket bolt	304	1
<b>TRIGGER HANDLE</b>			
1C	sprocket	CF8	1
2C	handle	CF8	1
3C	hex socket bolt	304	1
4C	pin	304	1
5C	spring	304	1
6C	trigger	CF8	1
<b>INFINITE HANDLE</b>			
1B	hub	CF8	1
2B	hex socket screw	304	1
3B	handle shaft	304	1
4B	knob	polymer	1
5B	hub housing	CF8	1
<b>PULL HANDLE</b>			
1A	hub housing	CF8	1
2A	hub	CF8	1
3A	handle shaft	304	1
4A	hex socket screw	304	1
5A	spring	304	1
6A	knob	polymer	1
<b>VALVE</b>			
1	body half	CF8M	1
2	disc	CF8M	1
3	seat	silicone EPDM Viton®	1
4	bushing	polyacetal	2
5	hex nut	304	4 *
6	bolt	304	4 *
6W	wing nut kit (optional)	304	4 *

\* 6" valve has a quantity of 8 each  
4" and 8" valves have a quantity of 6 each

**Repair Kit contains:**

- (1) silicone, EPDM, or Viton® seal
- (2) bushings

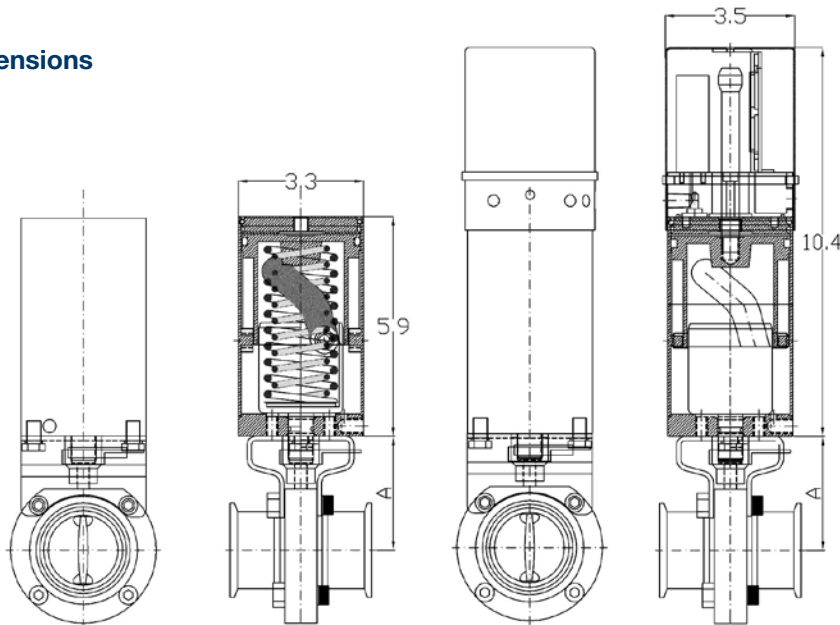
B51 SERIES BUTTERFLY VALVE WITH TRIGGER HANDLE			
SIZE	(RED) SILICONE PART NO.	(BLACK) EPDM PART NO.	(BROWN) VITON® PART NO.
1"	B5101-RKS100	B5101-RKE100	B5101-RKV100
1½"	B5101-RKS150	B5101-RKE150	B5101-RKV150
2"	B5101-RKS200	B5101-RKE200	B5101-RKV200
2½"	B5101-RKS250	B5101-RKE250	B5101-RKV250
3"	B5101-RKS300	B5101-RKE300	B5101-RKV300
4"	B5101-RKS400	B5101-RKE400	B5101-RKS400
6"	B5101-RKS600	B5101-RKE600	---
8"	---	B5101-RKE800	---



## Butterfly Valve Automation - 5101 Series

### Technical Data, Specifications and Dimensions

SIZE	DIMENSION A (in)
1"	68.58
1½"	68.58
2"	78.74
2½"	88.9
3"	93.98
4"	114.3



Note: all dimensions are in inches. Dimensions are approximate. Engineering dimensions are available upon request.

Specifications are subject to change without notice.



BUTTERFLY VALVE WITH EPDM SEATS AND A VERTICAL SPRING RETURN NORMALLY OPEN PNEUMATIC CANISTER STYLE ACTUATOR	
PART NUMBER	SIZE
B5101E100CC-F	1"
B5101E150CC-F	1½"
B5101E200CC-F	2"
B5101E250CC-F	2½"
B5101E300CC-F	3"
B5101E400CC-F	4"



BUTTERFLY VALVE WITH EPDM SEATS AND A VERTICAL SPRING RETURN NORMALLY CLOSED PNEUMATIC CANISTER STYLE ACTUATOR	
PART NUMBER	SIZE
B5101E100CC-G	1"
B5101E150CC-G	1½"
B5101E200CC-G	2"
B5101E250CC-G	2½"
B5101E300CC-G	3"
B5101E400CC-G	4"

BUTTERFLY VALVE WITH EPDM SEATS AND A VERTICAL DOUBLE ACTING PNEUMATIC CANISTER STYLE ACTUATOR	
PART NUMBER	SIZE
B5101E100CC-H	1"
B5101E150CC-H	1½"
B5101E200CC-H	2"
B5101E250CC-H	2½"
B5101E300CC-H	3"
B5101E400CC-H	4"

SILICONE AND VITON® SEATS ARE ALSO AVAILABLE.



## Hygienic Products

### Manual Butterfly Valves with Limit Switch

Dixon Hygienic offers remote indication on manual valves. Make sure valves are open or closed from a remote location.

#### Features and Benefits

- Signal back equipment can be provided for information on open / close positions, intermediate and proportional feedback
- Position detection can be determined using mechanical switches, proximity switches, or 4-20 mA signal transmission in NEMA 4 or NEMA 7 enclosures



Bradford™ manual butterfly valve with remote indication.

B5101S200CC-LJ remote indication is also available on ball valves.



Bradford™ automated butterfly valve with vertical canister air-to-open spring-to-close actuator and proximity sensors. **B5101S200CC-MI**



Bradford™ automated butterfly valve with vertical canister air-to-open spring-to-close actuator and control top, with 24VDC solenoid. **B5101S200CC-ZB**

DIXON HYGIENIC OFFERS VARIOUS CONFIGURATIONS OF AUTOMATED BUTTERFLY VALVES. CALL FOR PRICE AND DELIVERY.





## Limit Switches for Pneumatic Actuators

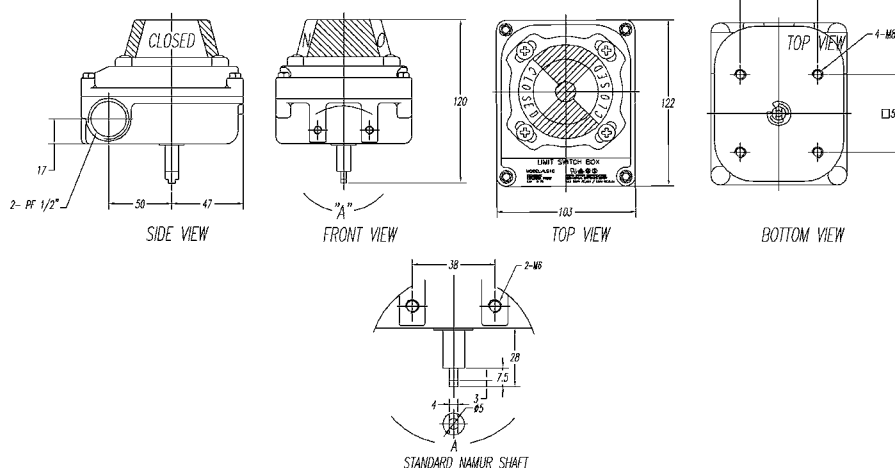
### Features

- Compact, cost-efficient, low profile limit switches for both local and remote indication of valve and/or actuator position
- Wide variety of switch options are available
- Visual position indicator
- Quick-Set cam
- Multipoint terminal strip
- Dual wire potting
- Captive cover bolts
- UL and CENEFLEC approved
- NEMA 4, 4X, 7 and 9
- Standard NAMUR mounting

### Technical Specifications

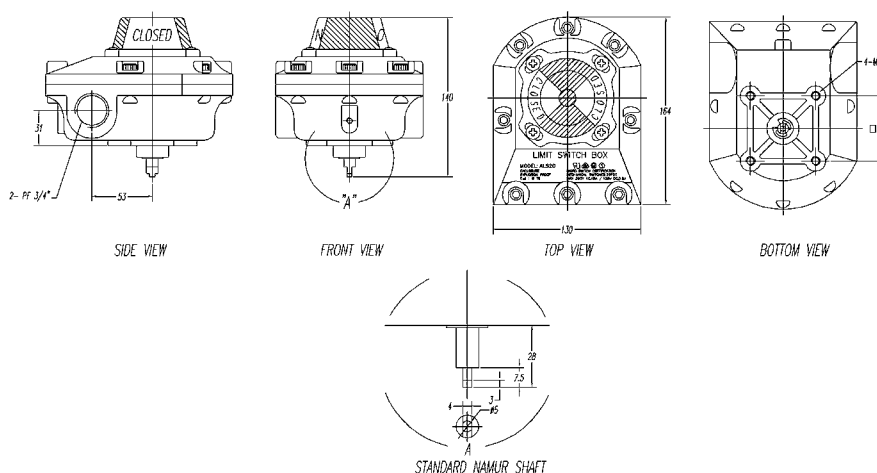
- Enclosure: weatherproof, 1P67
- Temperature range: -4°F (20°C) to 185°F (85°C)
- Cable entry: 2 x 1/2" NPT
- Terminal strip: 8 points
- Position indicator: 0 - 90: open - yellow, close - red
- Switch type: 2 SPDT mechanical switches
- Painting: black polyester powder coating
- Bracket: stainless steel

### XLS-B4A0120P (NEMA 4/4X ENCLOSURE)



G

### XLS-B7A0120P (NEMA 7 ENCLOSURE)





# Hygienic Products

## NAMUR Mount Solenoid Valves



### Features

- Exclusive 'pop-up' indicator provides a quick check for valve pressurisation
- Easy to use override
- Single, dual coils or 3 position configurations are available
- NEMA 4 or 7 versions are available
- Lighted DIN connectors are available
- Intrinsically safe coils are available

### Material Specifications

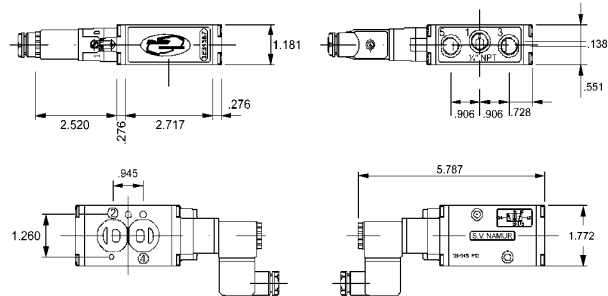
- Body: epoxy coated die cast aluminum optional body material: stainless steel
- Spool: electroless-nickel plated aluminum
- Piston: aluminum
- Spring: stainless steel
- Seal: Buna N (standard) optional seal material: EPDM
- Screws: stainless steel
- other components: technopolymer

### Technical Specifications

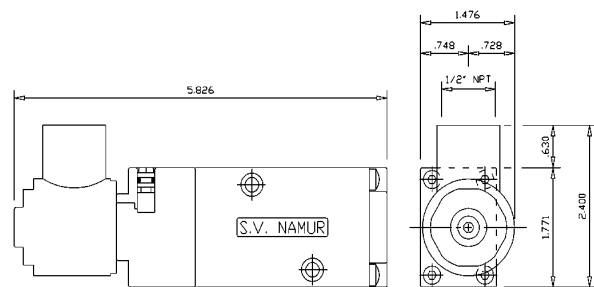
- DC Coil Voltage: 12v, 24v
- AC Coil Voltage (60Hz): 24v, 120v, 220v
- Standard Protection Class: NEMA 4 (DIN connector, as shown)
- Electrical Connection: 9mm DIN connector (DIN 43650)
- Coil Insulation: Class F
- Supply Air and Environment Temperature Limits: -20° to 70°C
- BunaN seal temperature range: -20° to 70°C
- EPDM seal temperature range: -10° to 120°

Note: Temperature ranges indicate air temperatures for seal material.

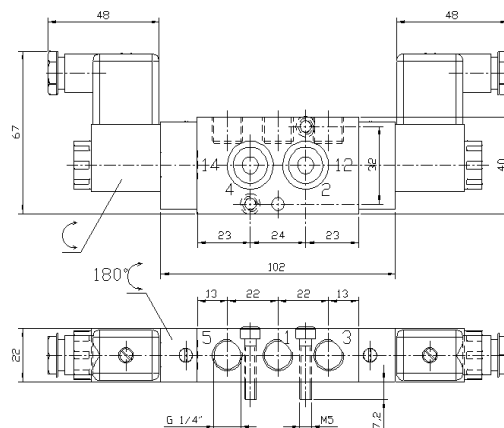
### XSO-4S4-0A NEMA 4, FOUR WAY SINGLE COIL, 115 VAC



### XSO-4S7-0A NEMA 7, FOUR WAY SINGLE COIL, 115 VAC



### XSO-4D4D-0A NEMA 4, FOUR WAY DUAL COIL, 115 VAC



## Positioners

### XPO-P4F (Pneumatic Positioner)

#### Features

- Cam characterized and force balanced
- Cast aluminum NEMA 4X housing with electrostatically applied polyester coating
- Operates on a standard 3-15 Volt PSI signal (12 PSI span, optional 24 PSI)
- Pressure gauge blocks built into the unit
- Large indicator has scaling to operate in both direct and reverse directions
- Feedback units available - call factory for details

#### Technical Specifications

- Input range: 3-15 PSI
- Supply pressure: <145 PSI
- Linearity error: <0.7 f.s.
- Hysteresis: <0.4 f.s.
- Repeatability: <0.3 f.s.
- Pressure gain: 750:1 P
- Air delivery:
 

	SCFM
@ 29 PSI (200 kPa)	9.5
@ 87 PSI (600 KPa)	28.3
@ 145 PSI	47.1
- Air consumption:
 

	SCFM
@ 29 PSI (200 kPa)	0.18
@ 87 PSI (600 KPa)	0.53
@ 145 PSI	0.88
- Temperature range: -40°F (-40°C) to 185°F (85°C)
- Air connections: 1/4" NPT
- Gauge port: 1/8" NPT
- Ingress and corrosion protection: NEMA 4X and IP 66
- Coating: Powder polyester (nickel - optional)
- Weight: 3.5 lbs.



G



# Hygienic Products

## XPO-E4F (Electro-Pneumatic Positioner)

### Features

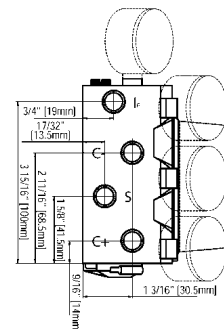
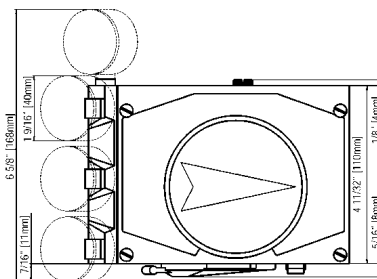
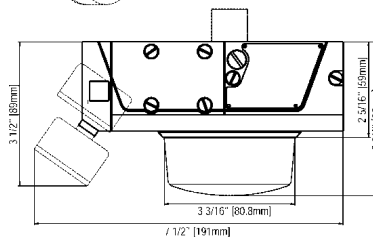
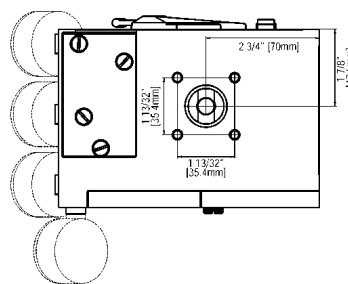
- Cam characterized and force balanced
- Cast aluminum NEMA 4X housing with electrostatically applied polyester coating
- Operates on a 4-20 mA signal
- Pressure gauge blocks built into the unit
- Large indicator has scaling to operate in both direct and reverse directions
- Feedback units available - call factory for details

### Technical Specifications

- Input range: 4-20 (R1<170 ohms)
- Supply pressure: 22-145 PSI
- Linearity error: <1.0 f.s.
- Hysteresis: <0.5 f.s.
- Repeatability: <0.3 f.s.
- Pressure gain: 750:1 P out / P in
- Air delivery: SCFM
 

@ 29 PSI (200 kPa)	9.5
@ 87 PSI (600 KPa)	28.3
@ 145 PSI	47.1
- Air consumption: SCFM
 

@ 29 PSI (200 kPa)	0.18
@ 87 PSI (600 KPa)	0.53
@ 145 PSI	0.88
- Temperature range: -40°F (-40°C) to 185°F (85°C)
- Air connections: 1/4" NPT
- Gauge port: 1/8" NPT
- Ingress and corrosion protection: NEMA 4X and IP 66
- Coating: Powder polyester (nickel - optional)
- Weight: 3.8 lbs.

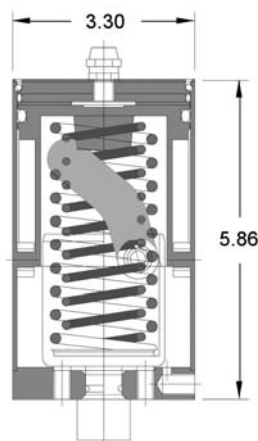


G

## Vertical Stainless Steel Canister

### without Control Top

- Excellent protection and corrosion resistance
- Tested to 1 million cycles
- 100% fully tested prior to shipment
- Backed by one year manufacturer's warranty
- Designed for butterfly valves sizes 1" - 4"
- Available in:
  - Air to open / air to close (ATO/ATC)
  - Air to open / spring to close (ATO/STC)
  - Spring to open / air to close (STO/ATC)



Note: All dimensions are in inches. Dimensions are approximate. Engineering dimensions are available upon request.

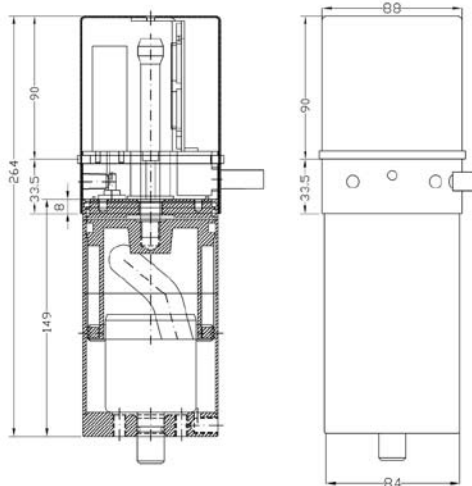
Specifications are subject to change without notice.

SIZES	DESCRIPTION	PART NUMBER
1" - 4"	Double Acting	VC-NR-100-DA
1" - 4"	Spring Return	VC-NR-100-SR

G

### with Control Top

- Excellent protection and corrosion resistance
- Tested to 1 million cycles
- 100% fully tested
- Backed by one year manufacturer's warranty
- Designed for butterfly valves sizes 1" - 4"
- Includes control top with solenoid and micro switches for flawless control
- Available in:
  - Air to open / air to close (ATO/ATC)
  - Air to open / spring to close (ATO/STC)
  - Spring to open / air to close (STO/ATC)
  - 24 volt DC solenoid
  - 110 volt AC solenoid



Note: All dimensions are in inches. Dimensions are approximate. Engineering dimensions are available upon request.

Specifications are subject to change without notice.

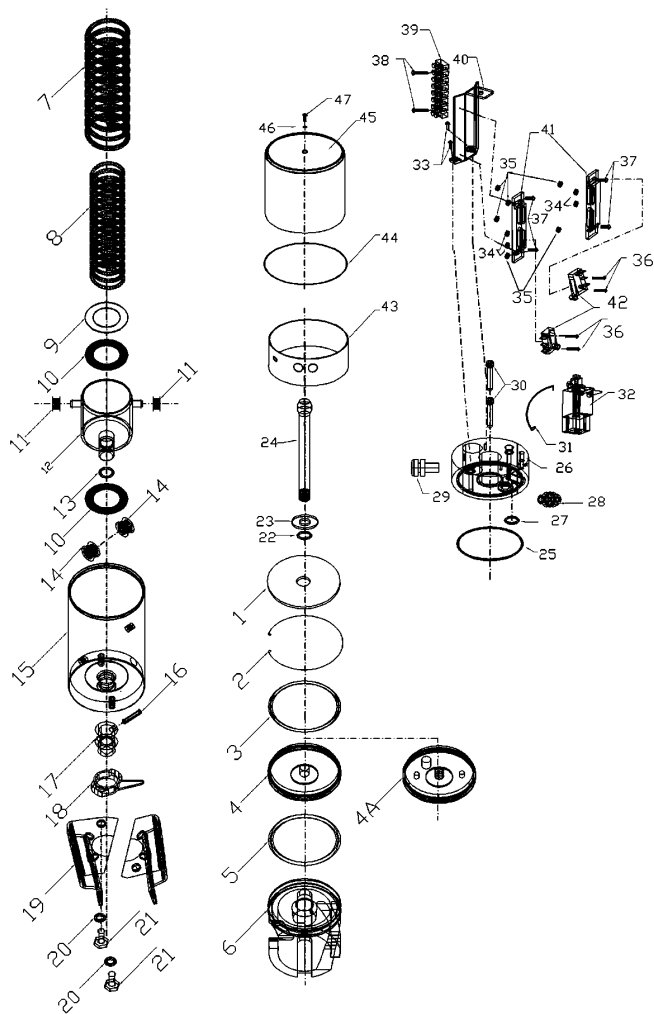
SIZES	DESCRIPTION	PART NUMBER	
		110vAC	24vDC
1" - 4"	Double Acting	VC-NR-100-DA-ZJ	VC-NR-100-DA-ZI
1" - 4"	Spring Return	VC-NR-100-SR-ZH	VC-NR-100-SR-ZG

Note: Each Bradford™ pneumatically actuated butterfly valve is shipped fully assembled, including pneumatic actuator and mounting bracket assembly. When ordering spring return actuators, please indicate if the valves need to be normally open or normally closed.



# Hygienic Products

## Vertical Stainless Steel Canister and control top



G

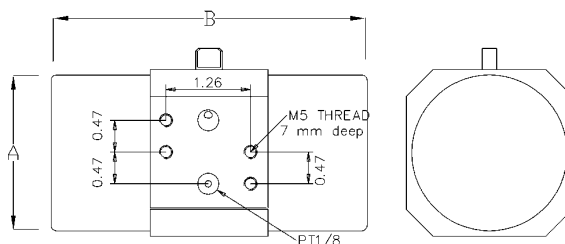
MATERIALS LIST						
ITEM	DESCRIPTION	MATERIAL	QUANTITY			
			w/o Control Top	SR	DA	SR
1	top cap	304 stainless	1	1	n/a	n/a
2	retaining ring	304 stainless	1	1	1	1
3	O-ring	EPDM	1	1	1	1
4	end cap	304 stainless	1	1	n/a	n/a
4A	manifold cap	304 stainless	n/a	n/a	1	1
5	O-ring	EPDM	1	1	1	1
6	piston	aluminum	1	1	1	1
7	outer spring	302 stainless	1	n/a	1	n/a
8	inner spring	302 stainless	1	n/a	1	n/a
9	thrust drive	304 stainless	1	n/a	1	n/a
10	thrust bearing	304 stainless	2	1	2	1
11	needle bearing	304 stainless	2	2	2	2
12	drive assembly	304 stainless	1	1	1	1
13	O-ring	EPDM	1	1	1	1
14	needle bearing	304 stainless	2	2	2	2
15	body	304 stainless	1	1	1	1
16	split pin	304 stainless	1	1	1	1
17	coupler	304 stainless	1	1	1	1
18	indicator	plastic	1	1	1	1
19	bracket spring	304 stainless	2	2	2	2
20	washer	304 stainless	2	2	2	2
21	bracket bolt	304 stainless	2	2	2	2
22	O-ring	EPDM	n/a	n/a	1	1
23	washer	304 stainless	n/a	n/a	1	1
24	detection shaft	304 stainless	n/a	n/a	1	1
25	O-ring	EPDM	n/a	n/a	1	1
26	manifold	POM	n/a	n/a	1	1
27	O-ring	EPDM	n/a	n/a	1	1
28	air fitting	nickel plated brass	1	2	1	4
29	conduit entry	plastic	n/a	n/a	1	1
30	bolt	304 stainless	n/a	n/a	2	2
31	pneumatic tube	polyethylene	n/a	n/a	1	4
32	solenoid valve	anodized AL	n/a	n/a	1	2
33	bolt	304 stainless	n/a	n/a	2	2
34	nut	304 stainless	n/a	n/a	4	4
35	nut	304 stainless	n/a	n/a	6	6
36	bolt	304 stainless	n/a	n/a	4	4
37	bolt	304 stainless	n/a	n/a	4	4
38	bolt	304 stainless	n/a	n/a	2	2
39	terminal strip	plastic	n/a	n/a	1	1
40	switch rack	304 stainless	n/a	n/a	1	1
41	switch plate	POM	n/a	n/a	2	2
42	mech. micro switch	silver contact	n/a	n/a	2	2
43	manifold sleeve	304 stainless	n/a	n/a	1	1
44	cover seal	PTFE	n/a	n/a	1	1
45	cover	304 stainless	n/a	n/a	1	1
46	O-ring	Buna	n/a	n/a	1	1
47	bolt	304 stainless	n/a	n/a	1	1

## Horizontal Double Acting Stainless Steel Actuator

- Excellent protection and corrosion resistance
- Tested to 1 million cycles
- 100% fully tested prior to shipment
- Backed by one year manufacturer's warranty
- Designed for the B5102 series butterfly valves sizes 1" - 4"
- Can be mounted on most Bradford™ BFV's up to 4"
- 6" and 8" valves must use a horizontal rack and pinion style actuator due to torque requirements
- Available in air to open / air to close (ATO/ATC)



### Dimensions



SIZES	DESCRIPTION		PART NUMBER
	A	B	
1" - 2"	2.4	3.2	RP-BS-050-DA
2½" - 4"	4.6	6.1	RP-BS-075-DA

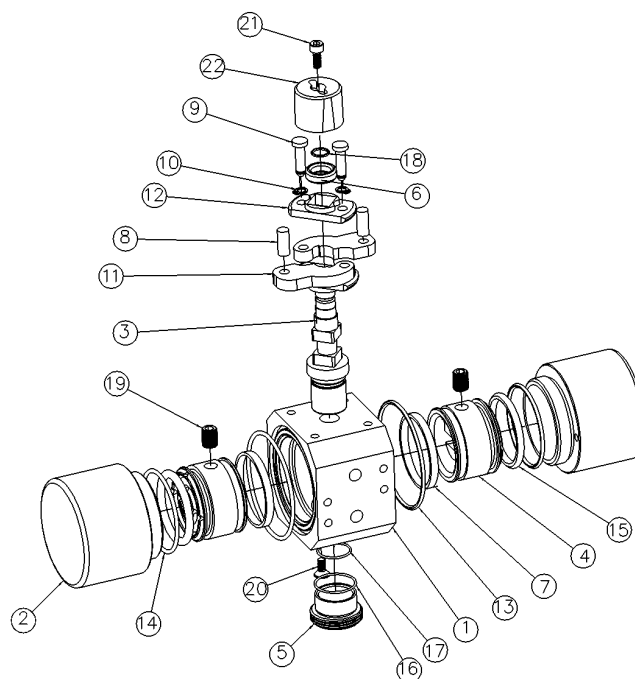


Note: All dimensions are in inches. Dimensions are approximate. Engineering dimensions are available upon request.

Specifications are subject to change without notice.

### MATERIALS LIST

ITEM	DESCRIPTION	MATERIAL	QTY
1	body	304 stainless	1
2	cylinder	304 stainless	2
3	pinion	304 stainless	1
4	piston	aluminum	2
5	lower bushing	17-4PH	1
6	upper bushing	17-4PH	1
7	piston ring	PTFE	2
8	pinion	high carbon steel	2
9	bolt	high carbon steel	2
10	bolt ring	high carbon steel	2
11	arm	high carbon steel	2
12	connector	304 stainless	2
13	body seal	NBR	2
14	cap seal	NBR	2
15	piston seal	NBR	2
16	bushing seal	NBR	1
17	pinion seal	NBR	1
18	ub seal	NBR	1
19	set screw	high carbon steel	2
20	flat head screw	304 stainless	1
21	socket head screw	304 stainless	1
22	indicator	aluminum	1



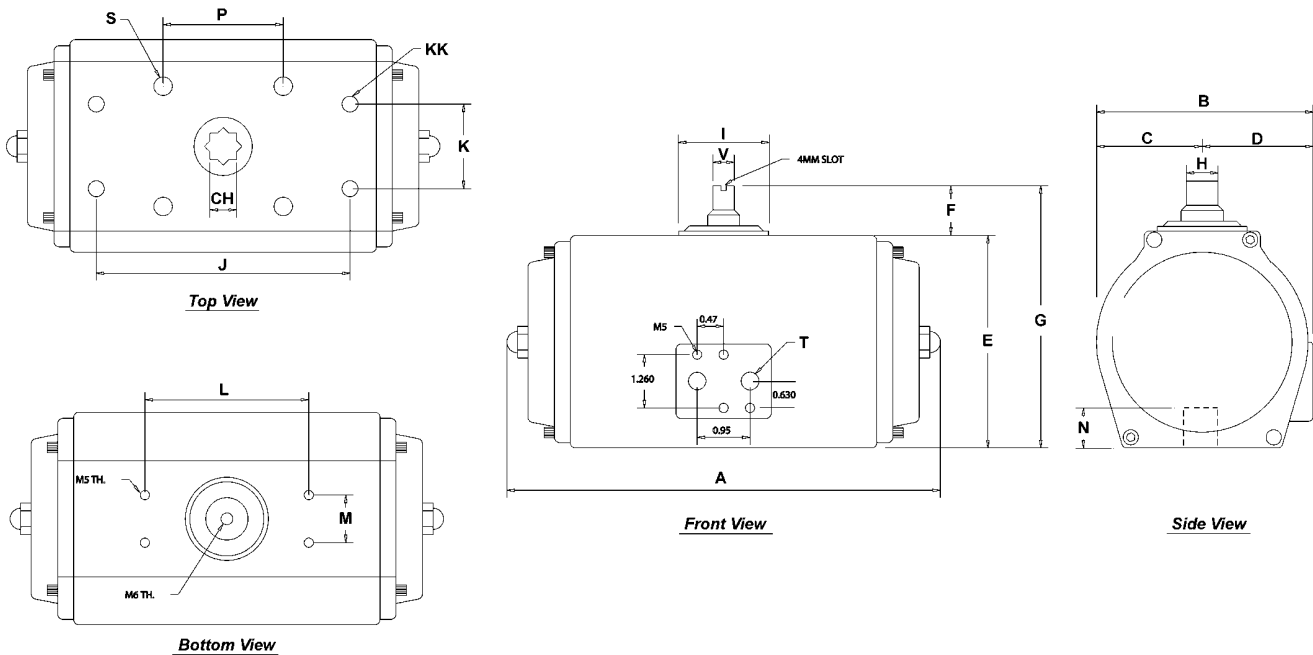
# Hygienic Products

## Horizontal Rack and Pinion Stainless Steel Actuator



- Replaceable top and bottom PTFE pinion bearings ensure low friction, stability above 400°F, and chemical resistance
- Travel stops provide 4° travel adjustment
- Precision cast stainless steel pistons are guided through full face engagement with the pinion and piston guide
- NAMUR slotted shaft is standard to provide a self-centering positive drive for positioners, a variety of switches
- Drive pinion is one piece stainless steel alloy shaft, precision machined gear and teeth for precise control
- ISO 5211 mounting
- Available in:
  - Air to open / air to close (ATO/ATC)
  - Air to open / spring to close (ATO/STC)
  - Spring to open / air to close (STO/ATC)

### Dimensions (inches)



PART NO.	A	A (SR)	B	C	D	E	F	G	CH	J	L	N	M	P	S	T	V	KK
RP-BS-45 *	6.54	7.56	2.56	1.15	1.15	2.56	0.787	3.34	0.433	1.42	3.15	0.58	1.181	1.97	10-24	1/4" NPT	0.633	1/4 x 20
RP-BS-65 *	7.00	7.34	2.92	1.39	1.39	3.18	0.787	3.97	0.551	1.97	3.15	0.59	1.181	n/a	1/4 x 20	1/4" NPT	0.633	n/a
RP-BS-80 *	7.81	8.37	3.97	1.91	1.91	4.24	0.787	5.03	0.748	1.97	3.15	0.66	1.181	2.76	1/4 x 20	1/4" NPT	0.635	5/16 x 18
RP-BS-105 *	9.91	10.53	4.75	2.29	2.29	5.23	0.787	6.02	0.748	2.76	3.15	0.77	1.181	n/a	5/16 x 18	1/4" NPT	0.629	n/a
RP-BS-125 *	11.66	12.20	5.39	2.69	2.69	6.09	1.181	7.27	0.866	2.76	5.12	0.97	1.181	4.02	3/8 x 16	1/4" NPT	0.865	3/8 x 16
RP-BS-140*	14.17	19.29	6.26	3.11	3.11	6.89	1.181	8.07	1.063	4.02	5.12	1.18	1.181	4.92	3/8 x 16	1/4" NPT	0.865	1/2 x 13

\* - DA = double acting; - SR = spring return

Note: all dimensions are in inches. Dimensions are approximate. Engineering dimensions are available upon request.

Specifications are subject to change without notice.

## Horizontal Rack and Pinion Stainless Steel Actuator

### Technical Data

TORQUE RATINGS FOR DOUBLE ACTING ACTUATOR					
PART NUMBER	40 PSI / 2.76 BAR	60 PSI / 4.14 BAR	80 PSI / 5.52 BAR	100 PSI / 6.89 BAR	120 PSI / 8.27 BAR
RP-BS-045-DA	71	107	143	178	214
RP-BS-065-DA	171	256	342	427	512
RP-BS-080-DA	370	555	740	925	1110
RP-BS-105-DA	624	936	1249	1561	1873
RP-BS-125-DA	1214	1822	2429	3036	3643
RP-BS-140-DA	2034	3051	4068	5085	6102

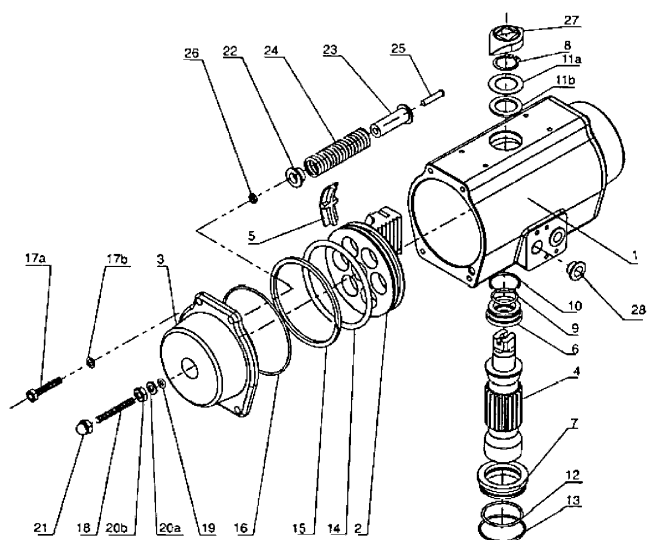
TORQUE RATINGS FOR SPRING RETURN ACTUATOR											
PART NUMBER	SPRING PER SIDE	SPRING TORQUE		40 PSI / 2.76 BAR		60 PSI / 4.14 BAR		80 PSI / 5.52 BAR		100 PSI / BAR	
	(5 STD)	END	BREAK	END	BREAK	END	BREAK	END	BREAK	END	BREAK
RP-BS-045-SR	3	35	57	14	36	50	72	86	108	121	143
	4	47	77	--	--	30	60	66	96	101	131
	5	60	96	--	--	--	--	47	83	82	118
	6	71	115	--	--	--	--	--	--	63	107
RP-BS-065-SR	3	67	136	35	104	120	189	206	275	291	360
	4	90	182	--	--	74	166	160	252	245	337
	5	112	227	--	--	--	--	115	230	200	315
	6	135	273	--	--	--	--	--	--	154	292
RP-BS-080-SR	3	167	273	97	203	282	388	467	573	652	758
	4	223	364	--	--	191	332	376	517	561	702
	5	279	456	--	--	--	--	284	461	469	646
	6	335	547	--	--	--	--	--	--	378	590
RP-BS-105-SR	3	346	574	50	278	362	590	675	903	987	1215
	4	461	766	--	--	170	475	483	788	795	1110
	5	576	956	--	--	--	--	293	673	605	985
	6	692	1141	--	--	--	--	--	--	420	869
RP-BS-125-SR	3	651	1141	73	563	681	1171	1288	1778	1895	2385
	4	869	1522	--	--	300	953	907	1560	1514	2167
	5	1080	1902	--	--	--	--	527	1349	1134	1956
	6	1301	2283	--	--	--	--	--	--	753	1735
RP-BS-140-SR	3	808	1859	175	1226	1192	2243	2209	3260	3226	4277
	4	1071	2487	--	--	564	1980	1581	2997	2598	4014
	5	1345	3107	--	--	--	--	961	2723	1978	3740
	6	1610	3726	--	--	--	--	--	--	1359	3475

Actuator Torque Output (In. Lbs.)



# Hygienic Products

## Horizontal Rack and Pinion Stainless Steel Actuator



### MATERIALS LIST

ITEM	DESCRIPTION	MATERIAL	QTY
1	body	stainless steel	1
2	piston	stainless steel	2
3	end caps	stainless steel	2
4	pinion	stainless steel	1
5	guide bearing	nylon 6	1
6	pinion bearing (top)	TFE	1
7	pinion bearing (bottom)	TFE	1
8	snap ring	stainless steel	1
9	O-ring (inner top)	Viton®	1
10	O-ring (outer top)	Viton®	1
11A	washer	stainless steel	1
11B	bearing	nylon 6	1
12	O-ring (inner bottom)	Viton®	1
13	O-ring (outer bottom)	Viton®	1
14	O-ring (piston)	Viton®	2
15	piston bearing	nylon 6	2
16	O-ring (end cap)	Viton®	2
17A	bolts (end cap)	stainless steel	8
17B	lock washer	stainless steel	8
18	travel stop	stainless steel	2
19	O-ring (travel stop)	Viton®	2
20A	washer	stainless steel	2
20B	nut (travel stop)	stainless steel	2
21	retaining nut	stainless steel	2
22	spring retainer	nylon 6	*
23	spring	plated carbon steel	*
24	spring	plated carbon steel	*
25	spring screw	stainless steel	*
26	spring nut	stainless steel	*
27	position indicator	nylon	1
28	port plug	nylon 6	2

G



## Aluminum Rack and Pinion Actuator

- Body: Extruded hard anodized aluminum alloy for wear and corrosion resistance and reduced friction.
- Heavy Duty Springs: High tensile steel springs with retainer and guide for safe and easy assembly.
- Pistons: Die-cast aluminum alloy fitted with nylon bushing guides and Buna-N seals.
- End Caps: Epoxy-coated die-cast aluminum alloy for maximum resistance to corrosive environments.
- Pinion: Electroless nickel plated carbon steel for maximum corrosion and wear resistance.
- Rotation Adjustment: A full  $\pm 5^\circ$  of travel adjustment in the open and closed positions. Standard on all sizes.
- Solenoid Interface: International NAMUR solenoid mounting interface is standard on all units.
- Indicator: A high visibility polyethylene for indication. Open/Close indication is standard on all models.
- Available in:
  - Air to open / air to close (ATO/ATC)
  - Air to open / spring to close (ATO/STC)
  - Spring to open / air to close (STO/ATC)



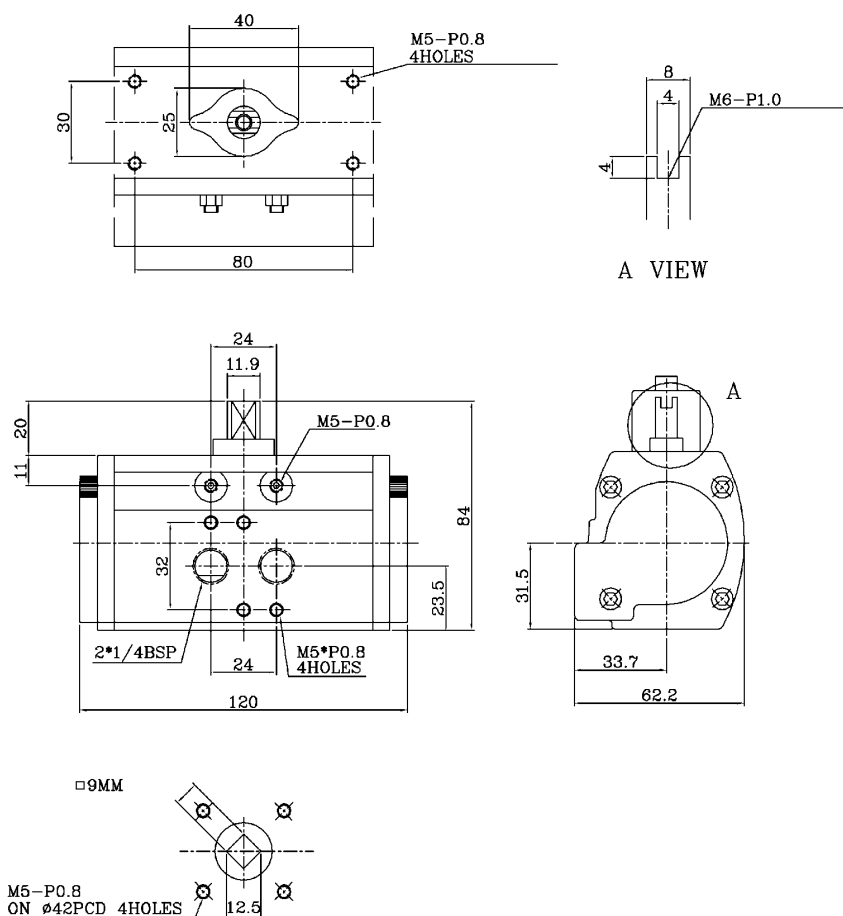
Double Acting



Spring Return



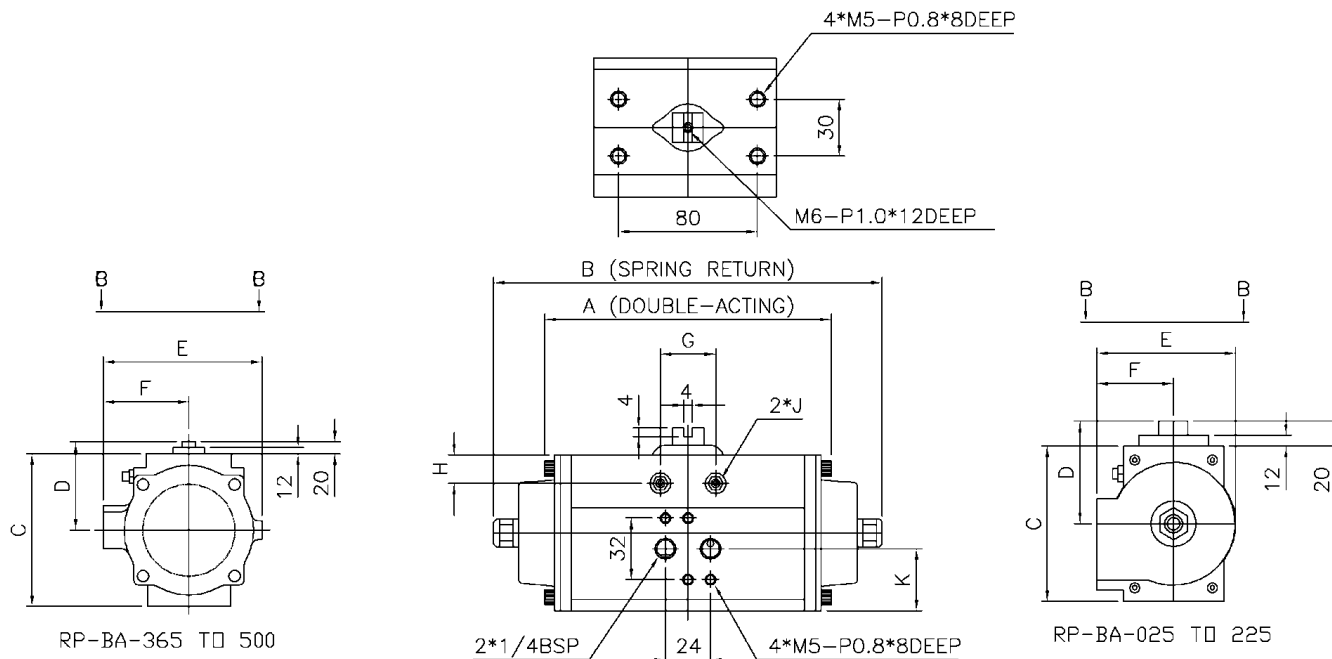
### Dimensions for RP-BA-012-DA



# Hygienic Products

## Aluminum Rack and Pinion Actuator

Dimensions for RP-BA-025-DA/SR to RP-BA-500-DA/SR



G

Part No.	ISO 5211	A	B	C	D	E	F	G	H	J	K	L	M	N	P	Q	R	S	T	W
RP-BA-025*	F04/F05	144.3	194.6	79	57.7	81.4	47.8	32.5	12.6	M5xP0.8	29.7	14.5	11	17	M5xP0.8	8	M6xP1.0	10	50	42
RP-BA-045*	F05/F07	149.2	205.6	98	67.4	95	51.5	32.5	13.8	M6xP1.0	30.2	18.8	14	21	M6xP1.0	10	M8xP1.25	12	70	50
RP-BA-101*	F05/F07	183	250	121	79.2	119	64.5	46.2	16.6	M8xP1.25	33.5	23	17	25.5	M6xP1.0	10	M8xP1.25	12	70	50
RP-BA-225*	F07/F10	259.6	355	141	89.5	140.5	75.5	54	18.6	M10xP1.5	39	29.5	22	31	M8xP1.25	12	M10xP1.5	15	102	70
RP-BA-365*	F10/F12	304.3	422	176	99.1	185.2	105.5	79.7	27.3	M12xP1.75	97.4	35.5	27	35	M10xP1.5	15	M12xP1.75	19	125	102
RP-BA-500*	F10/F12	364.4	487	196	116.5	204.8	107.8	79.4	28.3	M12xP1.75	99	35.5	27	35	M10xP1.5	15	M12xP1.75	19	125	102

\* - DA = double acting; - SR = spring return

## Aluminum Rack and Pinion Actuator

### Technical Data

TORQUE RATINGS FOR DOUBLE ACTING ACTUATOR					
PART NUMBER	40 PSI / 2.76 BAR	60 PSI / 4.14 BAR	80 PSI / 5.52 BAR	100 PSI / 6.89 BAR	120 PSI / 8.27 BAR
RP-BA-012-DA	63	94	125	156	188
RP-BA-025-DA	125	187	250	312	375
RP-BA-045-DA	225	337	450	562	675
RP-BA-101-DA	500	750	1000	1250	1500
RP-BA-225-DA	1125	1687	2250	2812	3375
RP-BA-365-DA	1825	2738	3650	4563	5475
RP-BA-500-DA	2500	3750	5000	6250	7500

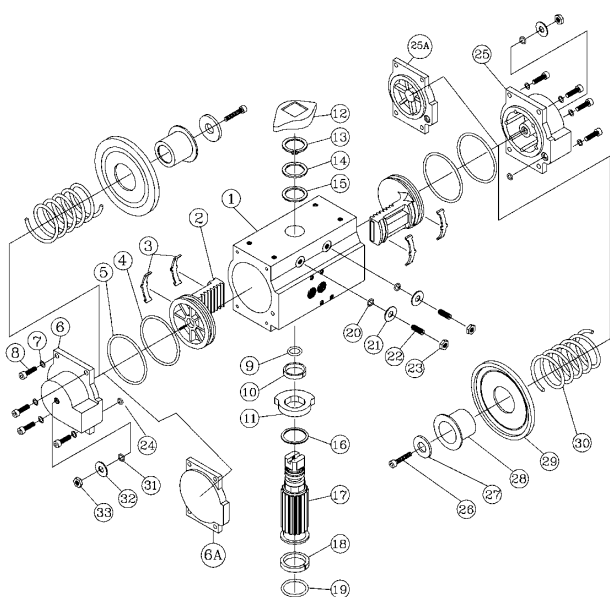
TORQUE RATINGS FOR SPRING RETURN ACTUATOR													
PART NO.	SPRING SET	SPRING TORQUE		40 PSI / 2.76 BAR		60 PSI / 4.14 BAR		80 PSI / 5.52 BAR		100 PSI / 6.89 BAR		120 PSI / 8.27 BAR	
		ST.	END	ST.	END	ST.	END	ST.	END	ST.	END	ST.	END
RP-BA-025-SR	2	69	45	76	47	138	109	201	172	263	234	326	312
	3	104	67	--	--	113	70	176	133	229	195	301	258
	4	140	90	--	--	88	31	151	93	213	156	276	218
	5	175	112	--	--	--	--	126	54	189	116	251	179
	6	209	135	--	--	--	--	--	--	164	77	227	139
RP-BA-045-SR	2	126	81	135	83	248	196	361	309	473	421	586	533
	3	190	121	--	--	203	125	316	238	428	350	541	463
	4	254	162	--	--	158	54	271	167	383	279	496	392
	5	317	202	--	--	--	--	226	96	339	209	451	321
	6	381	243	--	--	--	--	--	--	293	137	406	251
RP-BA-101-SR	2	279	179	300	184	549	433	798	682	1048	931	1297	1181
	3	418	270	--	--	449	278	698	526	947	775	1196	1025
	4	559	360	--	--	350	120	599	371	848	618	1097	867
	5	698	450	--	--	--	--	500	212	749	464	998	710
	6	839	540	--	--	--	--	--	--	650	304	899	557
RP-BA-225-SR	2	659	394	690	395	1253	958	1816	1521	2379	2084	2939	2647
	3	990	590	--	--	1034	591	1596	1154	2159	1717	2722	2280
	4	1320	787	--	--	816	226	1379	788	2029	1351	2505	1914
	5	1650	984	--	--	--	--	1161	424	1724	984	2287	1549
	6	1980	1181	--	--	--	--	--	--	1506	621	2069	1181
RP-BA-365-SR	2	1053	607	1152	659	2063	1570	2975	2482	3886	3393	4797	4305
	3	1573	912	--	--	1726	996	2637	1907	3549	2819	4460	3730
	4	2091	1217	--	--	1388	423	2300	1335	3211	2246	4123	3157
	5	2625	1519	--	--	--	--	1967	744	2878	1655	3789	2566
	6	3144	1824	--	--	--	--	--	--	2540	1082	3452	1994
RP-BA-500-SR	2	1560	785	1590	803	2780	1990	3970	3180	5160	4380	6350	5570
	3	2340	1180	--	--	2380	1200	3570	2400	4760	3590	5960	4780
	4	3130	1570	--	--	1980	414	3180	1600	4370	2800	5560	3990
	5	3910	1960	--	--	--	--	2780	815	3970	2010	5160	3200
	6	4690	2360	--	--	--	--	--	--	3570	1220	4760	2410

Actuator Torque Output (In. Lbs.)



# Hygienic Products

## Aluminum Rack and Pinion Actuator



### MATERIALS LIST

ITEM	DESCRIPTION	MATERIAL	QTY	
			DA	SR
1	body	anodized aluminum alloy	1	1
2	piston	die-cast aluminum alloy	2	2
3	piston bearing	nylon	4	4
4	O-ring	Buna-N	2	2
5	O-ring	Buna-N	2	2
6	end cap (left)	die-cast aluminum alloy	n/a	1
6A	end cap (left)	die-cast aluminum alloy	1	n/a
7	washer	stainless steel	8	8
8	cap screw	stainless steel	8	8
9	O-ring	Buna-N	1	1
10	bearing	nylon	1	1
11	stop cam	carbon steel	1	1
12	position indicator	polyethylene	1	1
13	retaining ring	stainless steel	1	1
14	washer	stainless steel	1	1
15	bearing	nylon	1	1
16	retaining ring	stainless steel	1	1
17	pinion	carbon steel	1	1
18	bearing	nylon	1	1
19	O-ring	Buna-N	1	1
20	O-ring	Buna-N	2	2
21	washer	stainless steel	2	2
22	stop screw	stainless steel	2	2
23	nut	stainless steel	2	2
24	O-ring	Buna-N	2	2
25	end cap (right)	die-cast aluminum alloy	n/a	1
25A	end cap (right)	die-cast aluminum alloy	1	n/a
26	screw	stainless steel	n/a	2
27	washer	stainless steel	n/a	2
28	spring guide	stainless steel	n/a	2
29	retainer	stainless steel	n/a	2
30	spring *	high tensile steel	n/a	4*
31	O-ring	Buna-N	n/a	2
32	washer	stainless steel	n/a	2
33	nut	stainless steel	n/a	2

\* #4 spring set is standard

## 180° Aluminum Rack and Pinion Actuator

- NAMUR VDI/VDE 3845 and ISO 5211 dimensions on all sizes. No special blocks are required to mount solenoid valves, limit switches or positioners.
- The standard angle of rotation is 180°. Additional travel rotations of 120°, 135°, 150° are available. MA016 and larger sizes feature a travel stop with ± 10° adjustment in both open and close directions (International Patent).
- The 'patent pending' bottom plate design, unique to Dixon Hygienic secures a captive pinion (anti-blowout system) and permits flexibility in mounting by retaining AISI 304 nuts (standard) or AISI 304 bolts (optional) In either dual ISO patterns, or to customer dimensions
- All pinions are supplied with anti-blowout retention in both directions
- The female pinion drive is standard with a double square output drive and optional with a double-D drive, keyed drive and designs to meet your specific requirements
- Shaft bearings isolate the pinion gear from the housing and support the shaft for high cycle applications
- The pinion teeth are engaged for the full length and stroke of the piston. The pinion height allows manual override without disturbing the position indication
- Extruded aluminum body is internally machined and lapped to exact specifications. All internal and external surfaces are anodized for corrosion resistance
- External open/closed indicator is standard, available for all rotations
- Pistons incorporate double wear pads to separate the rack from the actuator wall and serve as both guide and wear bearings
- Epoxy coated special steel springs are pre-loaded with non-metallic materials. The stainless steel end cap fasteners are extra long to allow for spring relaxation, all parts are corrosion resistant



Double Acting



Spring Return

- Air pressure operation from 40 to 150 PSI. Water, nitrogen and compatible hydraulic fluids may as be used to power the actuator
- All external fasteners are corrosion resistant stainless steel
- All units are permanently lubricated at the factory with non-silicone grease
- All units are externally stamped with a progressive traceable serial number
- 100% of all units are factory pressure and leak tested

### SPECIFICATIONS

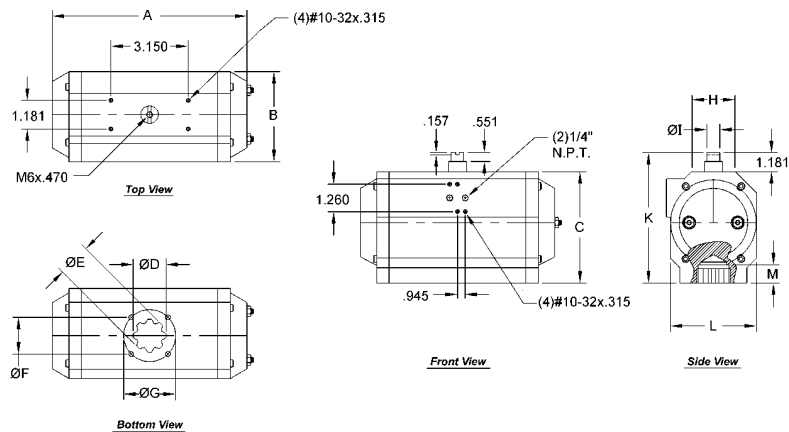
Operating pressure range	40 to 120 PSIG / 2.75 - 8.25 BAR
Maximum allowable working pressure	150 PSIG / 10.35 BAR
Operating media	Dry or lubricated non-corrosive gas
Operating temperature standard	-40°F to 176°F
Piston and pinion lubrication	Non-silicone grease
Range of rotation adjustment	Between 170° and 190° / 40°C - 80°C
Valve and accessory mounting	Standard ISO 5211 bolt patterns
Output shaft	Female – Double square
Design	Twin rack and pinion
Factory testing cycles	1 million



# Hygienic Products

## 180° Aluminum Rack and Pinion Actuator

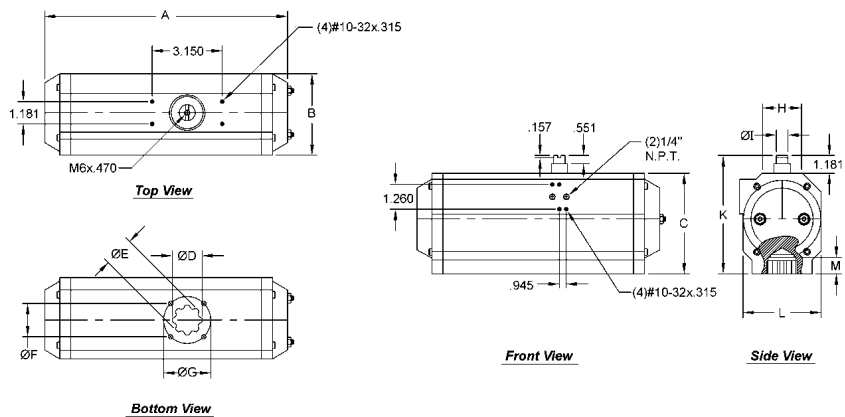
### Dimensions for Double Acting



PART NO.	DIMENSIONS (inches)											
	A	B	C	D (mm)	E (mm)	F	G	H	I	K	L	M
RP-MA-012-DA	4.7	2.6	2.8	11	11	n/a	F04	1.9	0.5	4	2.1	0.5
RP-MA-016-DA	9.2	3.3	3.5	14	14	n/a	F05	1.7	0.5	4.8	2.8	0.7
RP-MA-017-DA	10.8	3.3	3.5	14	14	n/a	F05	1.7	0.5	4.8	2.8	0.8
RP-MA-021-DA	9.9	3.8	4.5	17	17	n/a	F07	1.8	0.6	5.6	3.4	0.9
RP-MA-026-DA	13	3.8	4.4	17	17	n/a	F07	1.8	0.8	5.6	3.4	0.9
RP-MA-031-DA	13	4.5	5.2	17	17	n/a	F07	2.3	0.8	6.4	4.1	0.9
RP-MA-036-DA	13.7	5.4	6.5	22	22	F07	F10	2.6	0.8	7.7	5.2	1.2
RP-MA-041-DA	15.8	5.4	6.5	22	22	F07	F10	2.6	1.1	7.7	5.2	1.2
RP-MA-046-DA	20	5.9	7	22	22	F07	F10	3	1.1	8.2	5.7	1.2
RP-MA-051-DA	19.6	7.3	8.5	27	27	n/a	F12	4	1.1	9.8	7.2	1.5
RP-MA-056-DA	23.9	7.3	8.5	27	27	n/a	F12	4	1.1	9.8	7.2	1.5

G

### Dimensions for Spring Return



PART NO.	DIMENSIONS (inches)											
	A	B	C	D (mm)	E (mm)	F	G	H	I	K	L	M
RP-MA-015-SR	10.85	3.35	3.54	14	14	n/a	F05	1.70	0.50	4.76	2.76	0.70
RP-MA-017-SR	12.82	3.35	3.54	14	14	n/a	F05	1.70	0.50	4.76	2.76	0.80
RP-MA-020-SR	11.69	3.78	4.41	17	17	n/a	F07	1.80	0.60	5.63	3.39	0.90
RP-MA-025-SR	15.53	3.78	4.41	17	17	n/a	F07	1.80	0.80	5.63	3.39	0.90
RP-MA-030-SR	15.20	4.45	5.16	17	17	n/a	F07	2.30	0.80	6.38	4.09	0.90
RP-MA-035-SR	16.04	5.43	6.50	22	22	F07	F10	2.60	0.80	7.72	5.16	1.20
RP-MA-040-SR	18.80	5.43	6.50	22	22	F07	F10	2.60	1.10	7.72	5.16	1.20
RP-MA-045-SR	23.15	5.95	6.97	22	22	F07	F10	3.00	1.10	8.19	5.75	1.20
RP-MA-050-SR	23.41	7.28	6.97	27	27	n/a	F12	4.00	1.10	9.76	7.17	1.50
RP-MA-055-SR	27.70	7.28	8.54	27	27	n/a	F12	4.00	1.10	9.76	7.17	1.50

# 180° Aluminum Rack and Pinion Actuator

## Technical Data

TORQUE RATINGS FOR SPRING RETURN ACTUATOR													
PART NO.	SPRING SET	OPENING TORQUE		CLOSING TORQUE									
				40 PSI / 2.76 BAR		60 PSI / 4.14 BAR		80 PSI / 5.52 BAR		100 PSI / 6.89 BAR		120 PSI / 8.27 BAR	
		START	END	START	END	START	END	START	END	START	END	START	END
RP-MA-015-SR	2+2	75	53	84	62	153	131	222	200	291	269	359	337
	3+3	112	81	56	25	125	94	194	163	263	232	331	300
	4+4	150	107	--	--	99	56	168	125	237	194	305	262
	5+5	187	134	--	--	72	19	141	88	210	157	278	225
	7+5	224	160	--	--	--	--	115	51	184	120	252	188
RP-MA-017-SR	2+2	93	64	116	87	206	177	296	267	386	357	476	447
	3+3	139	96	84	41	174	131	264	221	354	311	444	401
	4+4	185	128	--	--	142	85	232	175	322	265	412	355
	5+5	232	160	--	--	110	38	200	128	290	218	380	308
	7+5	278	192	--	--	--	--	168	82	258	172	348	262
RP-MA-020-SR	2+2	122	92	158	128	283	253	408	378	533	503	658	628
	3+3	184	138	112	66	237	191	362	316	487	441	612	566
	4+4	245	184	66	5	191	130	316	255	441	380	566	505
	5+5	307	230	--	--	145	68	270	193	395	318	520	443
	7+5	369	278	--	--	97	6	222	131	347	256	472	381
RP-MA-025-SR	2+2	196	124	251	179	438	366	626	554	813	741	1001	929
	3+3	294	185	190	81	377	268	565	456	752	643	940	831
	4+4	392	247	--	--	315	170	503	358	690	545	878	733
	5+5	490	309	--	--	253	72	441	260	628	447	816	635
	7+5	588	372	--	--	--	--	378	162	565	349	753	537
RP-MA-030-SR	2+2	251	187	313	249	563	499	813	749	1063	999	1313	1249
	3+3	376	280	220	123	470	374	720	624	970	874	1220	1124
	4+4	502	374	--	--	376	248	626	498	876	748	1126	998
	5+5	627	467	--	--	283	123	533	373	783	623	1033	873
	7+5	753	560	--	--	--	--	440	247	690	497	940	747
RP-MA-035-SR	2+2	412	306	494	388	894	788	1294	1188	1694	1588	2094	1988
	3+3	617	461	339	183	739	583	1139	983	1539	1383	1939	1783
	4+4	824	614	--	--	586	376	986	776	1386	1176	1786	1576
	5+5	1029	767	--	--	433	171	833	571	1233	971	1633	1371
	7+5	1236	921	--	--	--	--	679	364	1079	764	1479	1164
RP-MA-040-SR	2+2	505	371	629	495	1129	995	1629	1495	2129	1995	2629	2495
	3+3	757	556	444	243	944	743	1444	1243	1944	1743	2444	2243
	4+4	1011	741	--	--	759	489	1259	989	1759	1489	2259	1989
	5+5	1263	929	--	--	572	237	1072	737	1572	1237	2072	1737
	7+5	1516	1113	--	--	--	--	887	484	1387	984	1887	1484
RP-MA-045-SR	2+2	890	560	1002	672	1784	1454	2565	2235	3346	3016	4127	3797
	3+3	1334	840	722	228	1504	1010	2285	1791	3066	2572	3847	3353
	4+4	1779	1120	--	--	1224	565	2005	1346	2786	2127	3567	2908
	5+5	2224	1399	--	--	945	120	1726	901	2507	1682	3288	2463
	7+5	2669	1679	--	--	--	--	1446	456	2227	1237	3008	2018
RP-MA-050-SR	2+2	1101	869	1381	1149	2506	2274	3631	3399	4756	4524	5881	5649
	3+3	1652	1304	946	598	2071	1723	3196	2848	4321	3973	5446	5098
	4+4	2203	1738	512	47	1637	1172	2762	2297	3887	3422	5012	4547
	5+5	2754	2173	--	--	1202	621	2327	1746	3452	2871	4577	3996
	7+5	3303	2607	--	--	768	72	1893	1197	3018	2322	4143	3447
RP-MA-055-SR	2+2	1487	1055	1945	1513	3445	3013	4945	4513	6445	6013	7945	7513
	3+3	2231	1583	1417	769	2917	2269	4417	3769	5917	5269	7417	6769
	4+4	2974	2111	889	26	2389	1526	3889	3026	5389	4526	6889	6026
	5+5	3718	2638	--	--	1862	782	3362	2282	4862	3782	6362	5282
	7+5	4462	3166	--	--	1334	38	2834	1538	4334	3038	5834	4538



Actuator Torque Output (In. Lbs.)



Telephone: +44 (0)1772 323529

Fax: +44 (0)1772 314664

221



## Hygienic Products

### Electric Actuation



#### Features

- Conforms to CSA-C for outdoor use
- Built by an ISO9001 certified manufacturer

#### Enclosure

- Lightweight powder coated aluminum alloy with plastic cover
- NEMA 4 and 4X waterproof and dust proof
- ROHS compliant

#### Motor

- Extended duty cycle induction motor
- H-insulation class OM-1 and OM-A Class F on OM-2 to OM-4
- Built in thermal protection prevents motor burn out
- Includes position indicators on top of unit

#### Manual Override

- Non-clutch design allows manual operation in a power outage
- Fail-safe does not allow manual operation when electric motor is operating
- Some units feature a hand wheel for manual operation
- Optional battery back-up available

#### High alloy steel gear train

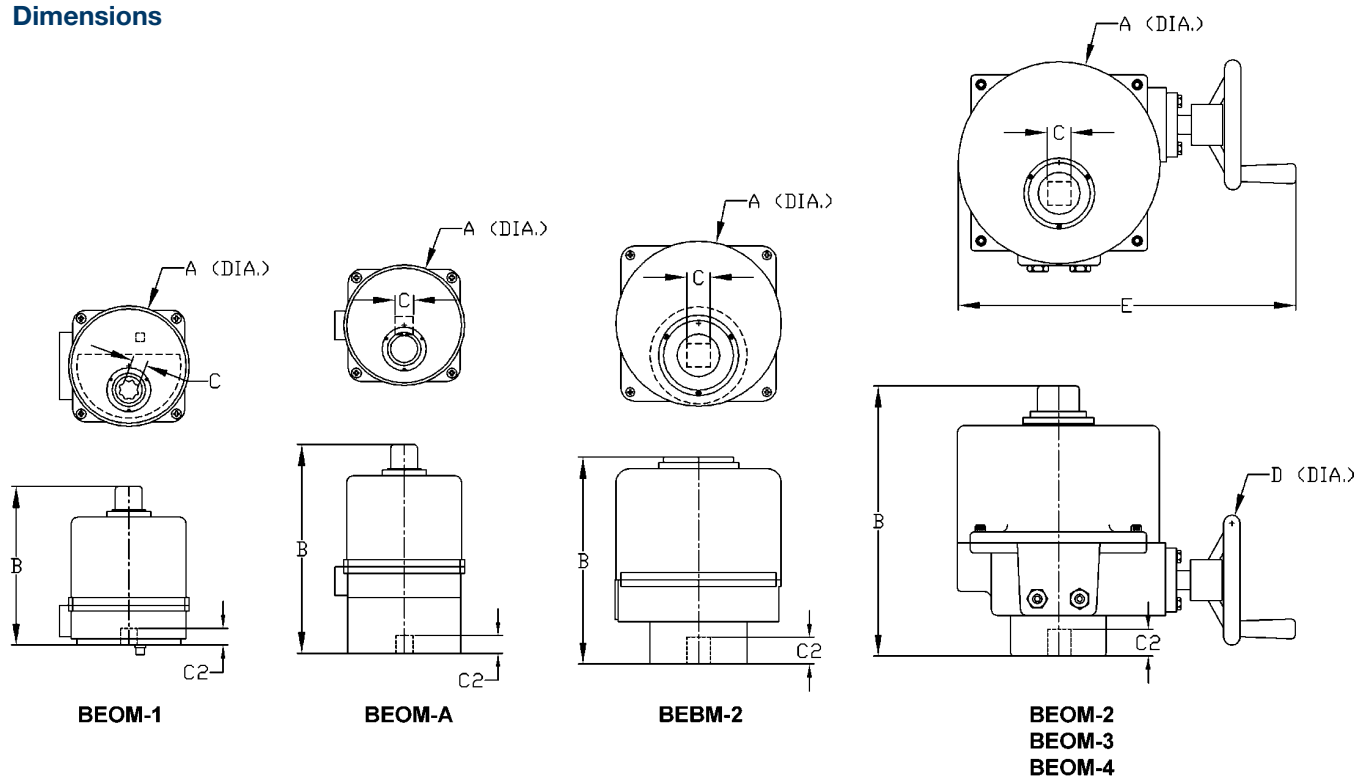
- Provides self-locking function to avoid valve back drive
- Factory installed high temperature lubricant, reduces maintenance

#### Additional Features

- Tested to one million cycles
- One year manufacturer's warranty
- All units include heater to reduce condensation

## Electric Actuation

### Dimensions



PART NO.	INCHES (MM)						FLANGE TYPE
	A Ø	B	C SQ MAXIMUM	C2 DEPTH	D Ø	E	
BEOM-1	4.5 (114)	6.1 (155)	0.6 (14)	0.6 (15)	---	---	F03 / F05
BEOM-A	4.5 (114)	8.0 (203)	0.7 (17)	0.6 (16)	---	---	F07
BEBM-2	6.1 (154)	7.6 (192)	0.9 (22)	1.2 (30)	---	---	F07
BEOM-2 BEOM-3	7.1 (180)	10.0 (255)	0.9 (22)	1.2 (30)	4.8 (123)	12.8 (326)	F07
BEOM-4	8.5 (217)	12.5 (317)	1.4 (35)	1.6 (40)	7.6 (194)	15.5 (394)	F10

# Hygienic Products

## Bradford™ Seat Valves

The Bradford SV-series single seat valves offer a true hygienic design to meet your most demanding process applications. The SV-series valves are offered in 316L stainless steel with a variety of body configurations and seat and stem seal materials to fit your specific needs.

This valve series is designed to shut off or divert the flow in your process either remotely by using air or locally using a manual operating device. The rugged design of the actuator and valve body allow the valve to stand up to the harsh environments often found in the sanitary industry.

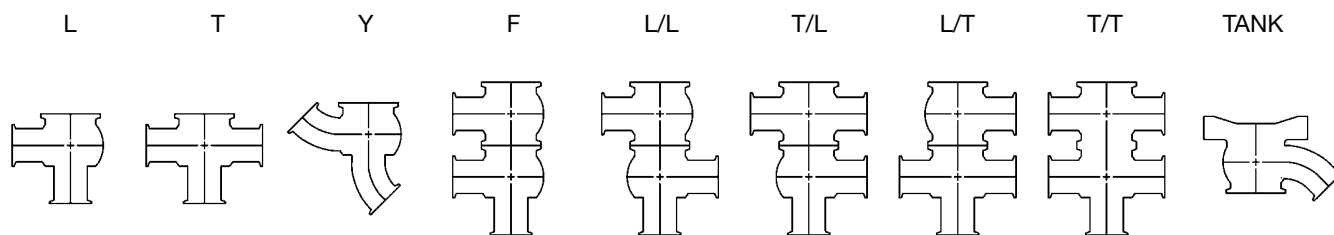
### Product Specifications

- Size range:** 1", 1½", 2", 2½", 3"
- Materials:**
- Body - 316 stainless steel
  - Actuator - 316 stainless steel
  - Manual Operating Device - 316 stainless steel
  - Stem Seal - EPDM, silicone, Viton®
  - Seat Seal - EPDM, silicone, Viton
- Options:**
- Manual
  - Actuated (spring return, double acting)
  - Control Tops
- Body Types:**
- L, T, Y, F, L/L, T/L, L/T, T/T, Tank Bottom
- Technical Data:**
- Temperature range -45°C (-50°F) to 100°C (212°F)
  - Surface Finish <32Ra standard
  - Max product pressure
    - 1" to 1½" 450 PSI
    - 2" 400 PSI
    - 2½" to 3" 350 PSI
  - Air pressure 80 to 145 PSI
  - Air connections 1/8" FNPT



G

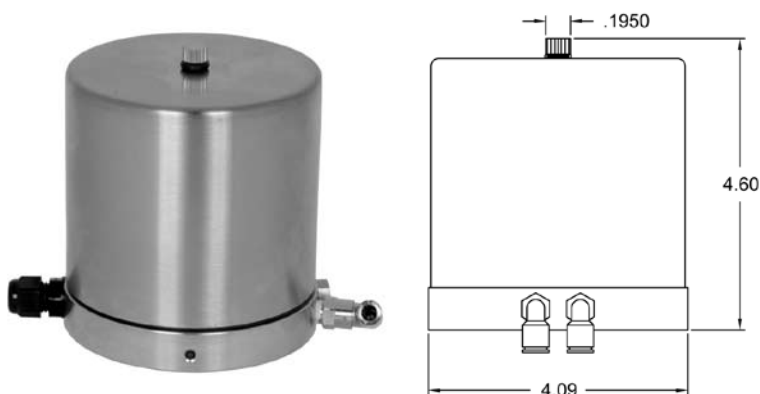
### Body Configurations



## CT-Series Control Top

The Bradford CT series control top mounts directly to the SV series spring return actuator offering two position feedback and control

- Nema 4/4X water proof / dust proof class IP 67 enclosure
- 304SS enclosure
- 110VAC and 24VDC solenoid options
- Mechanical and proximity (PNP, NPN, NO & NC) switching options



PART NO.	Description
SV-CT1	Micro Switch 24Vdc, Air To Lower
SV-CT2	Prox Npn Nc 24Vdc, Air To Lower
SV-CT3	Prox Npn No 24Vdc, Air To Lower
SV-CT4	Prox Pnp Nc 24Vdc, Air To Lower
SV-CT5	Prox Pnp No 24Vdc, Air To Lower
SV-CT6	Micro Switch 24Vdc, Air To Rise
SV-CT7	Prox Npn Nc 24Vdc, Air To Rise
SV-CT8	Prox Npn No 24Vdc, Air To Rise
SV-CT9	Prox Pnp Nc 24Vdc, Air To Rise
SV-CT10	Prox Pnp No 24Vdc, Air To Rise
SV-CT11	Micro Switch 110Vac, Air To Lower
SV-CT12	Prox Npn Nc 110Vac, Air To Lower
SV-CT13	Prox Npn No 110Vac, Air To Lower
SV-CT14	Prox Pnp Nc 110Vac, Air To Lower
SV-CT15	Prox Pnp No 110Vac, Air To Lower
SV-CT16	Micro Switch 110Vac, Air To Rise
SV-CT17	Prox Npn Nc 110Vac, Air To Rise
SV-CT18	Prox Npn No 110Vac, Air To Rise
SV-CT19	Prox Pnp Nc 110Vac, Air To Rise
SV-CT20	Prox Pnp No 110Vac, Air To Rise

G

## CM-Series Control Top

The CM Series Control Top Communication Module, designed for corrosive process environments, attaches directly to the Bradford Sanitary Divert Valves. This platform offers a full array of communication and switching options as well as discrete integral pneumatic control for spring return actuator operation.

### Features and Benefits:

- The CM Series may be washed down and temporarily submersed with no adverse affects. It is rated NEMA 4, 4x, and 6. It may be used in Div. 2/Zone 2 areas (Nonincendive) or Div.1/Zones 0 & 1 (Intrinsically Safe) hazardous applications
- Enclosure features high strength polycarbonate with excellent corrosion resistance and exceptional temperature stability
- Visual electronic and mechanical position indication confirm valve and switch status for added safety
- Solid state proximity sensors monitor Open/Closed discrete valve position with precision and reliability
- Integral pneumatic valve is isolated from environmental contamination, offers high tolerance to dirty air and enables rapid valve operation
- Solenoid options available for 120VAC and 24VDC. Select Piezo option for bus powered Foundation Fieldbus Applications
- Self Adjusting triggering system provides consistent Open and Closed indication. No resetting is required
- Manual override enables valve operation without electrically energising
- Dual module system seals all position sensing, communication and control electronics in a compact vibration proof package
- NPT port connections are stainless steel reinforced for long life sealing under high torque stress conditions
- Water proof quick connectors, compression fittings or conduit connections are available for convenient, reliable attachment to plant electrical systems



# Hygienic Products

## BC-Series Sanitary Centrifugal Pumps

- Pump and all spare parts are completely interchangeable with all Sanitary C-Series pumps
- Pump model and component part numbers are familiar and easy to use - BC114, BC216, etc.
- Most complete pumps ship in 1 week
- Stocked repair kits: #1, #3, DG and #4 (all-in-one)



Beverage



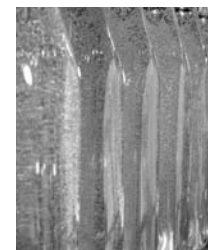
Dairy

## Mechanical Specifications

### Standard Construction

- Volute: 316L stainless steel
- Impeller: CF8M (316) stainless steel
- Backplate: 316L stainless steel
- Stub Shaft: 316L stainless steel
- Adapter: 304 stainless steel
- Optional Leg Kit: 304 stainless steel
- Seal Types: externally balanced 'D' & 'DG' with clamped in seat
- Rotary Seal Material: carbon
- DG Seal Seat Material: silicone carbide, ceramic and tungsten carbide
- Elastomers: EPDM, silicone and Viton®
- Finish: Hygienic polish 32RA

Model	Inlet	Outlet	Maximum Impeller
BC114	1½" or 2"	1½"	4"
BC216	2" or 2½"	1½"	6"
BC218	2" or 3"	1½"	8"
BC328	3" or 4"	2"	8"



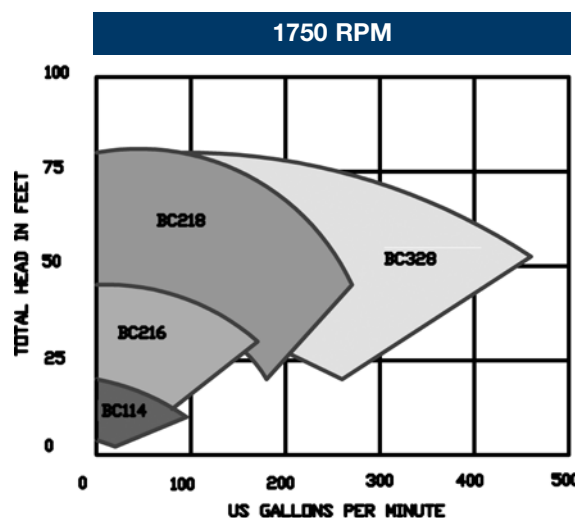
Oils



Water

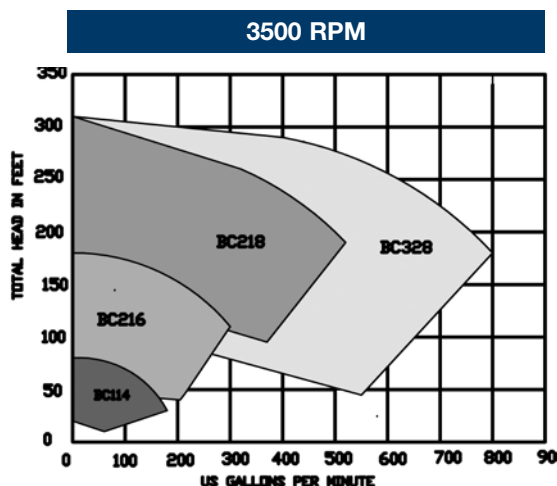
### Performance Characteristics

- Nominal Capacity: up to 780 GPM
- Temperature: 0°C - 100°C, consult factory for other temperatures
- Nominal speed: up to 3500 RPM - 60 Hz



### Motors and Mounting

- Motor: standard C-face, 1750 & 3450 RPM, TEFC and washdown, foot mounted
- Additional motor types available upon request
- Mounting: pump head mounted to a C-Face motor



Cosmetics



CIP Solutions

G

## Hygienic Filter / Strainers Product Specifications

- Size range:** • 1" - 3" clamp
- Materials:** • Inline  
- short  
- long
- Side Entry  
- long
- Materials:** • 316L stainless steel
- Finish:** • 3A sanitary, ID and OD



## What Are Filter / Strainers Used For?

### Filter Definition

A filter uses a disposable media to remove finer particulate from the stream. Dixon Sanitary holds Authorization Number 1446 for the 3-A Sanitary Standard for Filters using Single Service Filter Media, Number: 10-4.

### Strainer Definition

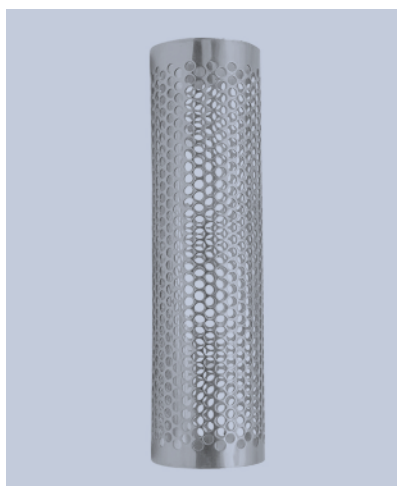
A strainer is a device used to separate solids from fluids. Here it is used for larger particulate matter from liquid or gas. It uses cleanable media.

G



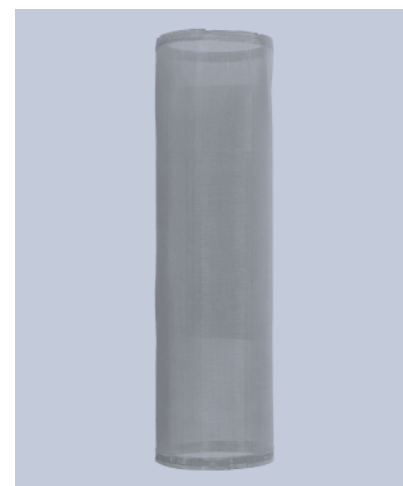
### Full Flow Filters -

Can be equipped with a variety of filtering media, down to 40 microns, media includes polyester, cotton cheesecloth and nylon mesh.



### Full Flow Coarse Strainers -

1/4" or 1/8" perforations.



### Full Flow Fine/Medium Strainers -

Can be equipped with a variety of mesh screens for removing finer particles (20 to 1130 mesh).





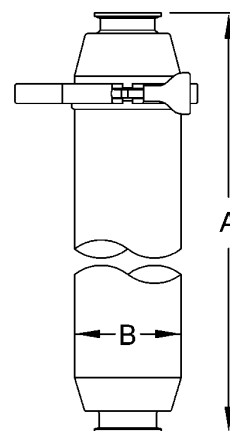
# Hygienic Products

## Hygienic Filter / Strainers

- In-line units ship standard with the following: spring, distributor cap, clamp gasket, 1/4" perforated back-up tube, inlet and outlet bodies and squeeze clamp
- 1/8" perforated back-up tube available, must specify when ordering
- RJT, DIN, Clamp, IDF, SMS weld ends available, call Dixon Europe for information



SHORT PART NUMBER	LONG PART NUMBER	SIZE	A SHORT	A LONG	B
BSCCQ1-R100	---	1"	15.75	--	4.00
BSCCQ1-R150	BSCCQ2-R150	1½"	15.75	35.75	4.00
BSCCQ1-R200	BSCCQ2-R200	2"	15.75	35.75	4.00
BSCCS1-R250	---	2½"	15.75	--	4.50
BSCCS1-R300	BSCCS2-R300	3"	15.75	35.75	4.50

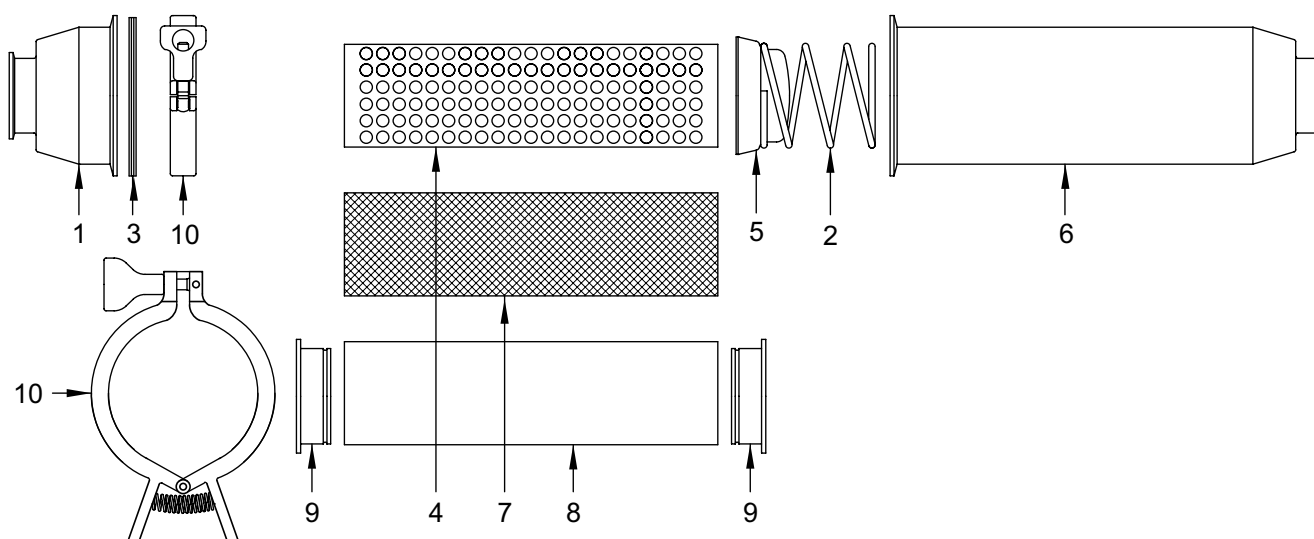


Dimensions are approximate. Engineering dimensions are available upon request. Specifications are subject to change without notice.

G



Bill of Materials



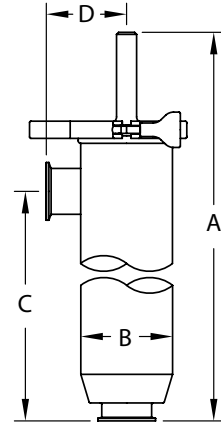
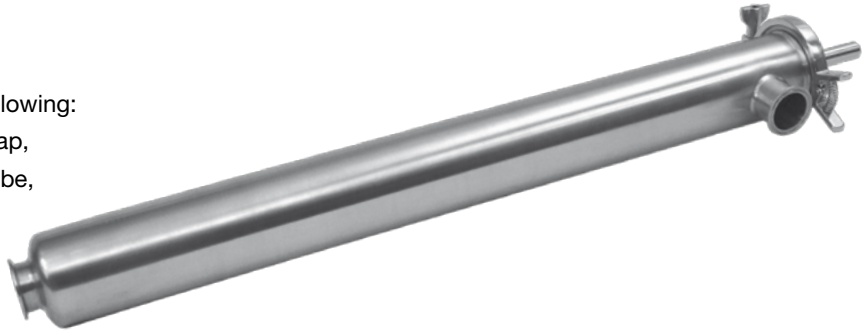
ITEM NO.	DESCRIPTION	SHORT PART NO.	LONG PART NO.	MATERIAL	QTY
1	1" strainer outlet	BS-01-R100	---	316L stainless steel	1
	1½" strainer outlet	BS-01-R150			
	2" strainer outlet	BS-01-R200			
	2½" strainer outlet	BS-01-R250	---		
	3" strainer outlet	BS-01-R300			
2	1"-2" strainer spring	BS-02-R100-200	BS-02-R100-200	316L stainless steel	1
	2½"-3" strainer spring	BS-02-R250-300	BS-02-R250-300		
3	4" clamp gasket	40MP-U400		Buna	1
	4" schedule 5 clamp gasket	40MPV-U400			
4	1"-2" back-up tube with 1/8" perforations	BS-1418-R100-200	BS-2418-R100-200	316L stainless steel	1
	2½"-3" back-up tube with 1/8" perforations	BS-1418-R250-300	BS-2418-R250-300		
	1"-2" back-up tube with 1/4" perforations	BS-1425-R100-200	BS-2425-R100-200		
	2½"-3" back-up tube with 1/4" perforations	BS-1425-R250-300	BS-2425-R250-300		
5	1"-2" strainer cap	BS-05-R100-200		316L stainless steel	1
	2½"-3" strainer cap	BS-05-R250-300			
6	1" strainer inlet	BS-16-R100	---	316L stainless steel	1
	1½" strainer inlet	BS-16-R150	BS-26-R150		
	2" strainer inlet	BS-16-R200	BS-26-R200		
	2½" strainer inlet	BS-16-R250	---		
	3" strainer inlet	BS-16-R300	BS-26-R300		
7	1"-3" various mesh over screens (short/long)	part number on page 95		316 stainless steel	1
8	1"-3" various filter bag (short/long)	part number on page 95		various	1
9	1"-2" retaining ring used with filter bags	BS-09-U100-200		Buna	2
	2½"-3" retaining ring used with filter bags	BS-09-U250300			
10	4" squeeze clamp for 1"-2" assembly	13MHHM-Q400		CF8	1
	4" schd. 5 squeeze clamp 2½"-3" assembly	13MHHV-Q400			



# Hygienic Products

## Hygienic Filter / Strainers

- Side entry units ship standard with the following: spring, end cap with handle, distributor cap, clamp gasket, 1/4" perforated back-up tube, body and squeeze clamp
- 1/8" perforated back-up tube available, must specify when ordering
- RJT, DIN, Clamp, IDF, SMS weld ends available, call Dixon Europe for information

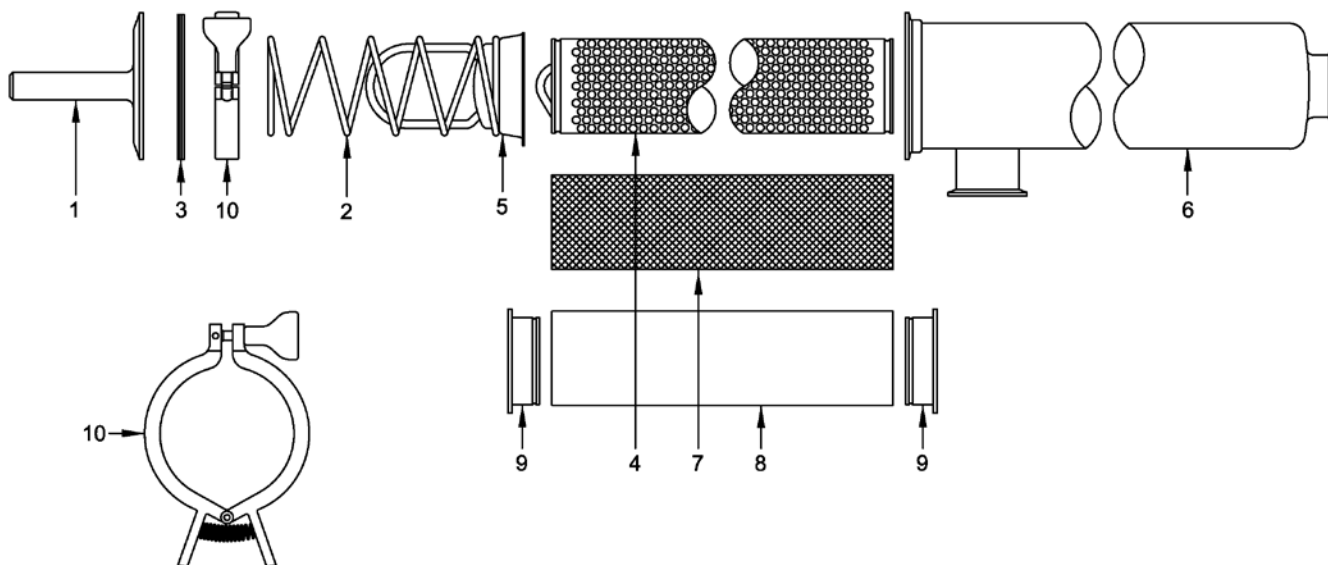


PART NUMBER	SIZE	A	B	C	D
<b>BSCCQ3-R150</b>	1½"	41.9	4	35	3½
<b>BSCCQ3-R200</b>	2"	41.9	4	35	3½
<b>BSCCQ3-R300</b>	3"	41.9	4½	35	3¾

Dimensions are approximate. Engineering dimensions are available upon request. Specifications are subject to change without notice.

G

Bill of Materials



ITEM NO.	DESCRIPTION	1½" AND 2" PART #	3" PART #	MATERIAL	QTY
1	end cap with handle	<b>BS-31-R100-200</b>	<b>BS-31-R250-300</b>	316L stainless steel	1
2	strainer spring	<b>BS-32-R100-200</b>	<b>BS-32-R250-300</b>	316L stainless steel	1
3	clamp gasket	<b>40MP-U400</b>	<b>40MPV-U400</b>	Buna	1
4	back-up tube with 1/8" perforations	<b>BS-1418-R100-200</b>	<b>BS-2418-R100-200</b>	316L stainless steel	1
	back-up tube with 1/4" perforations	<b>BS-1425-R100-200</b>	<b>BS-2425-R100-200</b>		
5	distributor cap	<b>BS-35-R100-200</b>	<b>BS-35-R250-300</b>	316L stainless steel	1
6	1½" strainer body	<b>BS-36-R150</b>	---	316L stainless steel	1
	2" strainer body	<b>BS-36-R200</b>	---		
	3" strainer body	---	<b>BS-36-R300</b>		
7	various mesh over screens	<b>part number on page 95</b>		316 stainless steel	1
8	various filter bag	<b>part number on page 95</b>		various	1
9	retaining ring used with filter bags	<b>BS-09-U100-200</b>	<b>BS-09-U250300</b>	Buna	2
10	squeeze clamp for assembly	<b>13MHHM-Q400</b>	<b>13MHHV-Q400</b>	CF8	1



# Hygienic Products

## Replacement Filters

- Filter medium are special order and minimum quantities apply. Not included with base unit.

SIZE	MICRON RATING	DESCRIPTION	SHORT PART NUMBER	LONG/SIDE ENTRY PART NUMBER
1" - 2"	38	nonwoven rayon (glued seam)	<b>BF30A-100-200</b>	<b>BF302A-100-200</b>
2½" - 3"	38	nonwoven rayon (glued seam)	<b>BF30A-250-300</b>	<b>BF302A-250-300</b>
1" - 2"	513	woven knapped cotton flannel	<b>BF30B-100-200</b>	<b>BF302B-100-200</b>
2½" - 3"	513	woven knapped cotton flannel	<b>BF30B-250-300</b>	<b>BF302B-250-300</b>
1" - 2"	300	cheese cloth, single thickness cotton	<b>BF30C-100-200</b>	<b>BF302C-100-200</b>
2½" - 3"	300	cheese cloth, single thickness cotton	<b>BF30C-250-300</b>	<b>BF302C-250-300</b>
1" - 2"	765	nylon, 26/29 mesh, rectangular opening, (.025 x .030)	<b>BF30D-100-200</b>	<b>BF302D-100-200</b>
2½" - 3"	765	nylon, 26/29 mesh, rectangular opening, (.025 x .030)	<b>BF30D-250-300</b>	<b>BF302D-250-300</b>
1" - 2"	40-42	nonwoven rayon	<b>BF30E-100-200</b>	<b>BF302E-100-200</b>
2½" - 3"	40-42	nonwoven rayon	<b>BF30E-250-300</b>	<b>BF302E-250-300</b>
1" - 2"	<40	nonwoven rayon	<b>BF30F-100-200</b>	<b>BF302F-100-200</b>
2½" - 3"	<40	nonwoven rayon	<b>BF30F-250-300</b>	<b>BF302F-250-300</b>
1" - 2"	420	woven nylon, 40 mesh	<b>BF30G-100-200</b>	<b>BF302G-100-200</b>
2½" - 3"	420	woven nylon, 40 mesh	<b>BF30G-250-300</b>	<b>BF302G-250-300</b>

## G Wire Cloth Mesh Over Screens

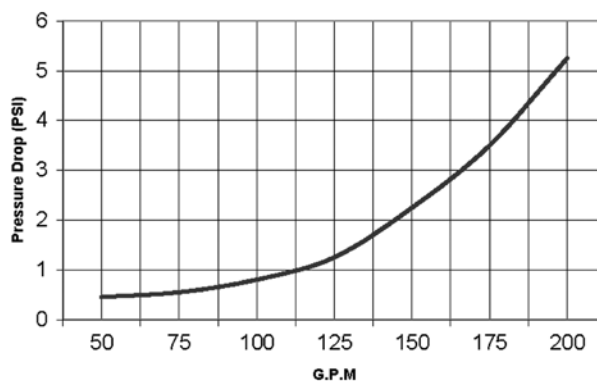
- Not all sizes are stocked additional sizes may be available (5 piece minimum), call the factory. Not included with base unit.

SIZE	MICRON RATING	SQUARE MESH	SPACE BETWEEN WIRES	PERCENT OF OPEN AREA	SHORT PART NUMBER	LONG/SIDE ENTRY PART NUMBER
1" - 2"	864	20	0.034	46.2	<b>BS20-100-200</b>	<b>BS202-100-200</b>
2½" - 3"	864	20	0.034	46.2	<b>BS20-250-300</b>	<b>BS202-250-300</b>
1" - 2"	381	40	0.015	36.0	<b>BS40-100-200</b>	<b>BS402-100-200</b>
2½" - 3"	381	40	0.015	36.0	<b>BS40-250-300</b>	<b>BS402-250-300</b>
1" - 2"	229	60	0.009	30.3	<b>BS60-100-200</b>	<b>BS602-100-200</b>
2½" - 3"	229	60	0.009	30.3	<b>BS60-250-300</b>	<b>BS602-250-300</b>
1" - 2"	178	80	0.007	31.4	<b>BS80-100-200</b>	<b>BS802-100-200</b>
2½" - 3"	178	80	0.007	31.4	<b>BS80-250-300</b>	<b>BS802-250-300</b>
1" - 2"	140	100	0.006	30.3	<b>BS100-100-200</b>	<b>BS1002-100-200</b>
2½" - 3"	140	100	0.006	30.3	<b>BS100-250-300</b>	<b>BS1002-250-300</b>

## Pressure Drop Curves for Filter and Strainer

Water at ambient temperature

- maximum flow for short units is 125 GPM



## Sample Valves



Businesses from food and beverage to pharmaceutical and cosmetics can now rely on Dixon Hygienic for their sampling needs with Bradford™ sample valves.

The Dixon Hygienic sample valve is a hygienic valve for use in stainless steel process systems. These valves are simple, rugged and above all, dependable. Bradford™ sample valves are made from stainless steel and are available in various sizes, ½" to 4" offering clamp and NPT end configurations, others also available as special order.

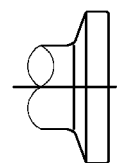
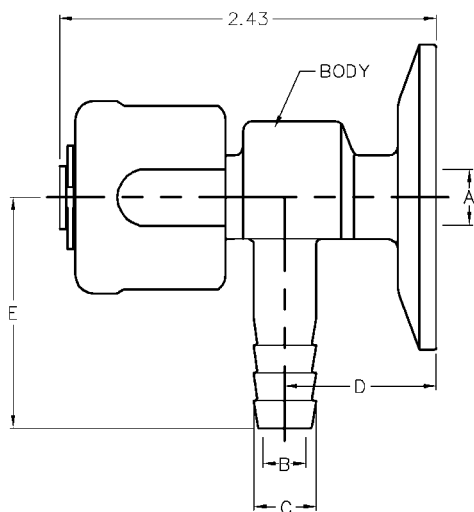
Dixon Hygienic offers inline and angle valves with a smooth or barbed outlet depending on your need.

Economical Bradford™ sample valves are 100% factory tested for the extra security you require. Maintenance is easy using one of Dixon Hygienic's repair kits, quickly returning the valve to service.

G

# Hygienic Products

## 316L Angle Sample Valve



FRACTIONAL TRI-CLAMP



- all 316L stainless wetted part construction
- standard finish to 20 Ra ID / 32 Ra OD
- Viton® stem seal FDA approved
- fully traceable (material test reports)
- domed virgin PTFE seat for positive closure
- tapered hygienic clamp connection prevents product back flow when installed in-line
- set screw stop prevents accidental removal of stem from valve body
- black nylon nut cover allows hand operation even with hot products
- minimal internal dead-leg area
- end connections available: clamp and butt weld
- sizes available: 1/2" - 1 1/2"
- temperature rating: (300°F) 149°C @ 200 PSI

SIZE		PART NUMBER	DIMENSIONS (inches)					WEIGHT (lbs)
CLAMP	BARB		A	B	C	D	E	
1/2"	1/4"	<b>BSVACV-R050025</b>	0.218	0.187	0.312	0.972	1.50	0.250
1/2"	3/8"	<b>BSVACV-R050375</b>	0.218	0.218	0.405	0.952	1.50	0.375
1/2"	1/2"	<b>BSVACV-R050050</b>	0.218	0.375	0.540	0.878	1.50	0.500
1"	3/8"	<b>BSVACV-R100375</b>	0.218	0.218	0.405	0.985	1.50	0.500
1 1/2"	1/4"	<b>BSVACV-R150025</b>	0.218	0.187	0.312	0.987	1.50	0.500
1 1/2"	3/8"	<b>BSVACV-R150375</b>	0.218	0.218	0.405	0.985	1.50	0.500
2"	1/4"	<b>BSVACV-R200025</b>	0.218	0.187	0.312	0.987	1.50	0.750

### REPAIR KIT FOR ANGLE SAMPLE VALVE

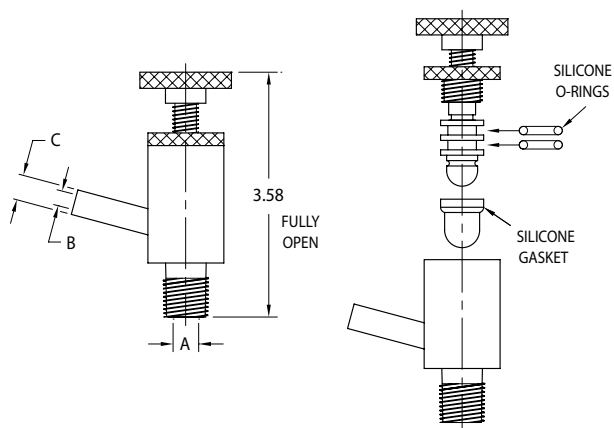
PART NUMBER	DESCRIPTION	MATERIAL	QTY.
<b>BSVA-RKS</b>	seal	PTFE	1
	O-ring	Viton®	1

### 304 Sample Valves - BSVW\*S

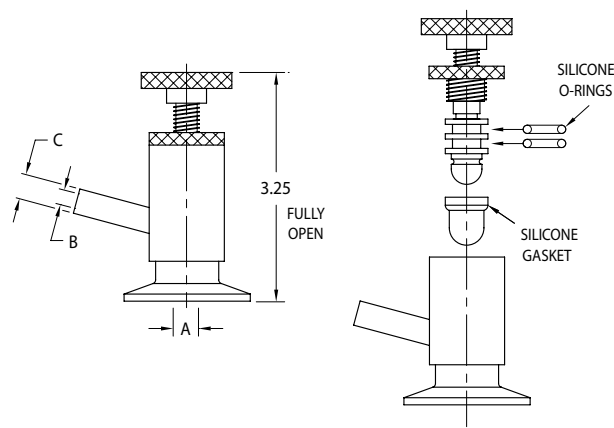
- 304 stainless steel
- silicone O-rings and gasket ensure a leak-proof shut-off
- surface finish polished to sanitary standards
- temperature rating: (300°F) 149°C at 200 PSI
- repair kit, BSVW-RKS, contains: (1) silicone gasket and (2) silicone O-rings



SIZE	STYLE	304 STAINLESS STEEL PART NUMBER	DIMENSIONS (inches)			OPEN	WEIGHT (lbs)
			A	B	C		
3/8"	NPT	<b>BSVWNS-G375</b>	0.360	0.235	0.378	3.58	0.72
1"	clamp	<b>BSVWCS-G100</b>	0.360	0.235	0.378	3.25	0.88
1"	butt-weld	<b>BSVWBS-G100</b>	0.360	0.235	0.235	3.58	0.72



NPT style



Clamp style





# Hygienic Products

## Fabrication and Tubing

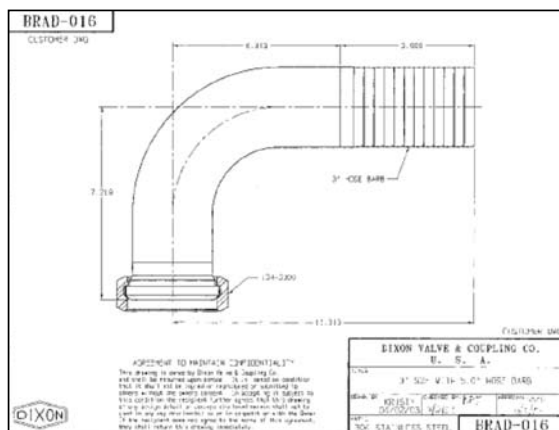
Dixon Group Europe is now offering custom fabrications. We have full CAD capabilities and can provide a print for your approval.

Once the print is approved, Dixon will have the part created in-house or from a variety of manufacturers specialising in hygienic components.

Dixon can produce manufacturing from sketches supplied by the customer.

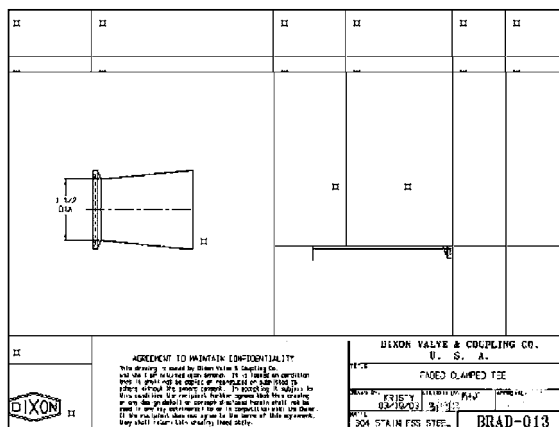


G



### Product Specifications

- Size range:** 1/2" - 12" (12-305mm)
- Materials:** 304 stainless steel  
316L stainless steel  
Other alloys are available



### Ordering Instructions

- Specify:** Dixon Part No.
- Include a signed print
- Ship to address

ALL HYGIENIC ASSEMBLIES ARE WELDED BY AWS D18.1 "SPECIFICATIONS FOR WELDING OF AUSTENITIC STAINLESS STEEL TUBE AND PIPE SYSTEMS IN SANITARY (HYGIENIC) APPLICATIONS" CERTIFIED WELDERS





**Examples of Parts Manufactured**



Elbows of Various Configurations, Finishes and Materials. Welded, Polished and Machined Components



Tees of Various Configurations, Finishes and Materials



Reducers of Various Configurations, Finishes and Materials



POLISHED ID/OD TUBING		
SIZE	NOMINAL WALL	316L PART NO.
1/2"	1.5mm	TOD-R50P
3/4"	1.5mm	TOD-R75P
1"	1.5mm	TOD-R100P
1 1/2"	1.5mm	TOD-R150P
2"	1.5mm	TOD-R200P
2 1/2"	1.5mm	TOD-R250P
3"	1.5mm	TOD-R300P
4"	2mm	TOD-R400P
6"	2mm	TOD-R600P
8"	2mm	TOD-R800P

Tubing usually sold in 6 metre / 20 foot lengths.

