

Ball Bearings in Stainless Steel (not magnetic)



Ball Bearings in Hardened Stainless Steel (magnetic)



Pillow Blocks & Housings in Stainless Steel and Plastic

UCP BSS 2RS NSF H1



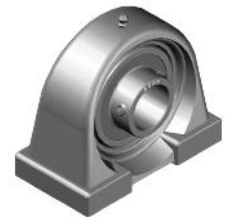
UCF BSS 2RS NSF H1



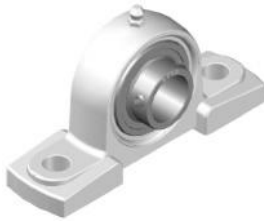
UCFL BSS 2RS NSF H1



UCPA BSS 2RS NSF H1



UCP PL BSS 2RS NSF H1



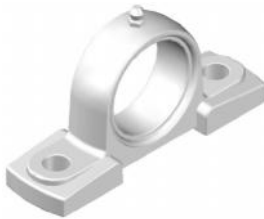
UCF PL BSS 2RS NSF H1



UCFL PL BSS 2RS NSF H1



P PL 200



F PL 200



FL PL 200



P SS 200



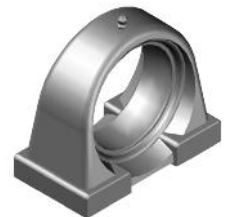
F SS 200



FL SS 200



PA SS 200





BSS NM

Ball Bearings in Stainless Steel (not magnetic)

The BSS NM bearings are made from stainless steel AISI 316 or AISI 304 for all the rotational parts and AISI 304 for the protection and the cage. The construction guarantees excellent performance in applications such as, in the presence of extremely aggressive acids, salts, sea water, etc. It is recommended, in the engineering stage, to carefully check the load characteristics listed in the catalogue, as the BSS NM bearings are without heat treatment, thereby providing a high resistance against oxidation but a limited capacity load. The BSS NM are completely non-magnetic and therefore usable in application where this feature is required.

Technical characteristics:

Bearing material: Stainless steel AISI 304 / AISI 316
Radial Clearance C3
Bearing running open
Greasing: The bearings are supplied not greased

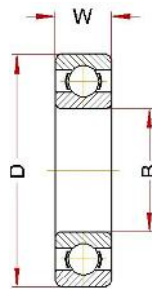
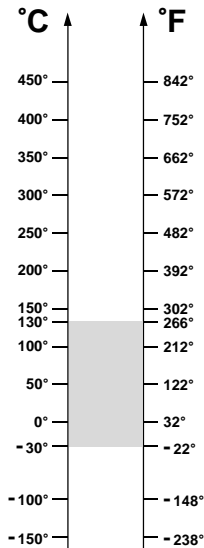
Fields of application:

Air conveyors for food processing plants
Textile Finishing Plants
Ship building industry



BSS NM (6000 Serie)

Ball Bearings in Stainless Steel (not magnetic)



OPERATING RANGE: -30° / 130°C

ECONOMIC OPERATING RANGE: -30° / 130°C

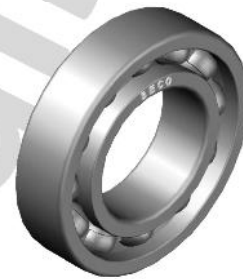
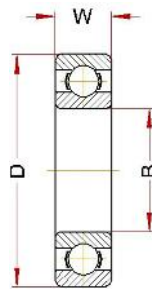
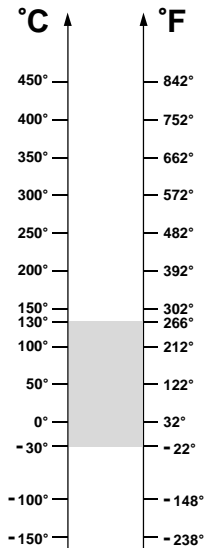
Designation	Bore (B)	Diam (D)	Width (W)	Weight, g	Limiting Speed, RPM	Static Load, kN at 130°C	Static Load, kN at 20°C
6000 BSS NM	10	26	8	20	200	0,13	0,13
6001 BSS NM	12	28	8	25	190	0,16	0,16
6002 BSS NM	15	32	9	30	180	0,19	0,19
6003 BSS NM	17	35	10	40	170	0,22	0,22
6004 BSS NM	20	42	12	69	160	0,33	0,33
6005 BSS NM	25	47	12	80	150	0,39	0,39
6006 BSS NM	30	55	13	120	140	0,53	0,53
6007 BSS NM	35	62	14	160	130	0,69	0,69
6008 BSS NM	40	68	15	190	120	0,70	0,70
6009 BSS NM	45	75	16	250	110	0,72	0,72
6010 BSS NM	50	80	16	260	100	0,78	0,78
6011 BSS NM	55	90	18	390	90	1,06	1,06
6012 BSS NM	60	95	18	420	80	1,16	1,16
6013 BSS NM	65	100	18	440	70	1,25	1,25
6014 BSS NM	70	110	20	600	60	1,58	1,58
6015 BSS NM	75	115	20	640	50	1,70	1,70

OPERATING RANGE is the correct technical range in which can be used the bearing with good operating result.

ECONOMIC OPERATING RANGE is the range of temperature in which you can find, according to our study experience and know-how, the better relation price - quality life-time.

BSS NM (6200 Serie)

Ball Bearings in Stainless Steel (not magnetic)



OPERATING RANGE: -30° / 130°C

ECONOMIC OPERATING RANGE: -30° / 130°C

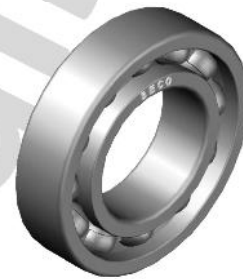
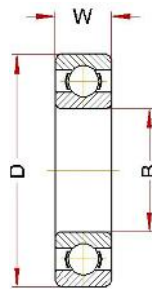
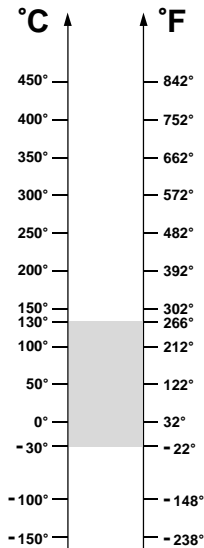
Designation	Bore (B)	Diam (D)	Width (W)	Weight, g	Limiting Speed, RPM	Static Load, kN at 130°C	Static Load, kN at 20°C
6200 BSS NM	10	30	9	30	200	0,17	0,17
6201 BSS NM	12	32	10	37	190	0,21	0,21
6202 BSS NM	15	35	11	45	180	0,25	0,25
6203 BSS NM	17	40	12	65	170	0,32	0,32
6204 BSS NM	20	47	14	110	160	0,44	0,44
6205 BSS NM	25	52	15	130	150	0,53	0,53
6206 BSS NM	30	62	16	200	140	0,75	0,75
6207 BSS NM	35	72	17	290	130	0,77	0,77
6208 BSS NM	40	80	18	370	120	0,90	0,90
6209 BSS NM	45	85	19	410	110	1,02	1,02
6210 BSS NM	50	90	20	460	100	1,20	1,20
6211 BSS NM	55	100	21	610	90	1,45	1,45
6212 BSS NM	60	110	22	780	80	1,90	1,90
6213 BSS NM	65	120	23	990	70	2,08	2,08
6214 BSS NM	70	125	24	1040	60	2,20	2,20
6215 BSS NM	75	130	25	1210	50	2,45	2,45

OPERATING RANGE is the correct technical range in which can be used the bearing with good operating result.

ECONOMIC OPERATING RANGE is the range of temperature in which you can find, according to our study experience and know-how, the better relation price - quality life-time.

BSS NM (6300 Serie)

Ball Bearings in Stainless Steel (not magnetic)



OPERATING RANGE: -30° / 130°C

ECONOMIC OPERATING RANGE: -30° / 130°C

Designation	Bore (B)	Diam (D)	Width (W)	Weight, g	Limiting Speed, RPM	Static Load, kN at 130°C	Static Load, kN at 20°C
6300 BSS NM	10	35	11	52	200	0,23	0,23
6301 BSS NM	12	37	12	60	190	0,28	0,28
6302 BSS NM	15	42	13	80	180	0,36	0,36
6303 BSS NM	17	47	14	120	170	0,44	0,44
6304 BSS NM	20	52	15	140	160	0,57	0,57
6305 BSS NM	25	62	17	225	150	0,76	0,76
6306 BSS NM	30	72	19	350	140	0,82	0,82
6307 BSS NM	35	80	21	450	130	0,95	0,95
6308 BSS NM	40	90	23	620	120	1,25	1,25
6309 BSS NM	45	100	25	830	110	1,60	1,60
6310 BSS NM	50	110	27	1050	100	1,90	1,90
6311 BSS NM	55	120	29	1350	90	2,38	2,38
6312 BSS NM	60	130	31	1700	80	2,60	2,60
6313 BSS NM	65	140	33	2100	70	3,00	3,00
6314 BSS NM	70	150	35	2500	60	3,40	3,40
6315 BSS NM	75	160	37	3000	50	3,83	3,83

OPERATING RANGE is the correct technical range in which can be used the bearing with good operating result.

ECONOMIC OPERATING RANGE is the range of temperature in which you can find, according to our study experience and know-how, the better relation price - quality life-time.



BSS NM ZZ

Ball Bearings in Stainless Steel (not magnetic)

The BSS NM ZZ bearings are made of stainless steel AISI 316 or AISI 304 for all the rotational parts and AISI 304 for the protection and the cage. The construction in guarantees excellent performance in applications such as, in the presence of extremely aggressive acids, salts, sea water, etc. It is recommended, in the engineering stage, to carefully check the load characteristics listed in the catalogue, as the BSS NM ZZ bearings are without heat treatment, thereby providing a high resistance against oxidation but a limited capacity load.

The BSS NM ZZ are completely non-magnetic and therefore usable in application where this feature is required. The presence of ZZ protection and suitable grease allow for their direct use in applications without additional protection.

Technical characteristics:

Bearing material: Stainless steel AISI 304 / AISI 316
Radial Clearance C3
Stainless steel shields type ZZ
Lubricated with suitable grease (-30°C to +130°C)

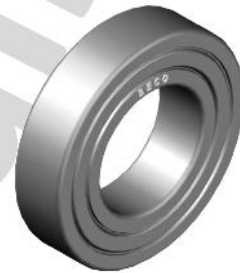
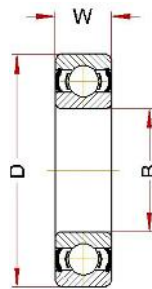
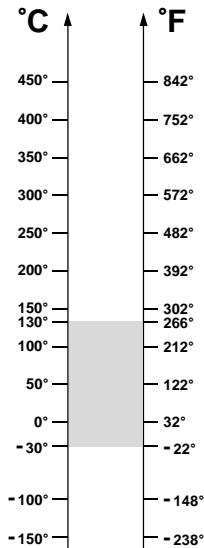
Fields of application:

Air conveyors for food processing plants
Textile Finishing Plants
Ship building industry



BSS NM ZZ (6000 Serie)

Ball Bearings in Stainless Steel (not magnetic)



OPERATING RANGE: -30° / 130°C

ECONOMIC OPERATING RANGE: -30° / 130°C

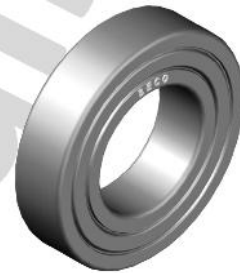
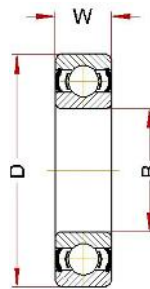
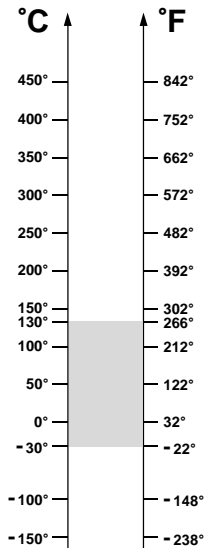
Designation	Bore (B)	Diam (D)	Width (W)	Weight, g	Limiting Speed, RPM	Static Load, kN at 130°C	Static Load, kN at 20°C
6000 BSS NM ZZ	10	26	8	20	200	0,13	0,13
6001 BSS NM ZZ	12	28	8	25	190	0,16	0,16
6002 BSS NM ZZ	15	32	9	30	180	0,19	0,19
6003 BSS NM ZZ	17	35	10	40	170	0,22	0,22
6004 BSS NM ZZ	20	42	12	69	160	0,33	0,33
6005 BSS NM ZZ	25	47	12	80	150	0,39	0,39
6006 BSS NM ZZ	30	55	13	120	140	0,53	0,53
6007 BSS NM ZZ	35	62	14	160	130	0,69	0,69
6008 BSS NM ZZ	40	68	15	190	120	0,70	0,70
6009 BSS NM ZZ	45	75	16	250	110	0,72	0,72
6010 BSS NM ZZ	50	80	16	260	100	0,78	0,78
6011 BSS NM ZZ	55	90	18	390	90	1,06	1,06
6012 BSS NM ZZ	60	95	18	420	80	1,16	1,16
6013 BSS NM ZZ	65	100	18	440	70	1,25	1,25
6014 BSS NM ZZ	70	110	20	600	60	1,58	1,58
6015 BSS NM ZZ	75	115	20	640	50	1,70	1,70

OPERATING RANGE is the correct technical range in which can be used the bearing with good operating result.

ECONOMIC OPERATING RANGE is the range of temperature in which you can find, according to our study experience and know-how, the better relation price - quality life-time.

BSS NM ZZ (6200 Serie)

Ball Bearings in Stainless Steel (not magnetic)



OPERATING RANGE: -30° / 130°C

ECONOMIC OPERATING RANGE: -30° / 130°C

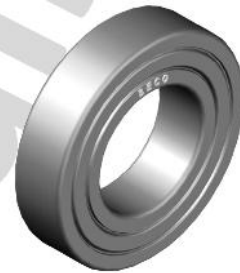
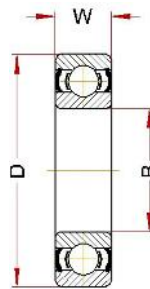
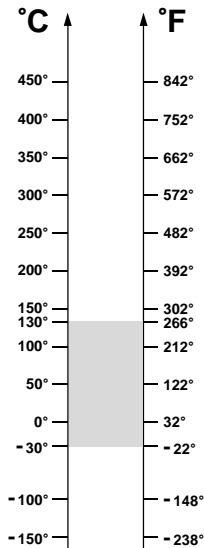
Designation	Bore (B)	Diam (D)	Width (W)	Weight, g	Limiting Speed, RPM	Static Load, kN at 130°C	Static Load, kN at 20°C
6200 BSS NM ZZ	10	30	9	30	200	0,17	0,17
6201 BSS NM ZZ	12	32	10	37	190	0,21	0,21
6202 8SS NM ZZ	15	35	11	45	180	0,25	0,25
6203 BSS NM ZZ	17	40	12	65	170	0,32	0,32
6204 BSS NM ZZ	20	47	14	110	160	0,44	0,44
6205 BSS NM ZZ	25	52	15	130	150	0,53	0,53
6206 BSS NM ZZ	30	62	16	200	140	0,75	0,75
6207 BSS NM ZZ	35	72	17	290	130	0,77	0,77
6208 BSS NM ZZ	40	80	18	370	120	0,90	0,90
6209 BSS NM ZZ	45	85	19	410	110	1,02	1,02
6210 BSS NM ZZ	50	90	20	460	100	1,20	1,20
6211 BSS NM ZZ	55	100	21	610	90	1,45	1,45
6212 BSS NM ZZ	60	110	22	780	80	1,90	1,90
6213 BSS NM ZZ	65	120	23	990	70	2,08	2,08
6214 BSS NM ZZ	70	125	24	1040	60	2,20	2,20
6215 BSS NM ZZ	75	130	25	1210	50	2,45	2,45

OPERATING RANGE is the correct technical range in which can be used the bearing with good operating result.

ECONOMIC OPERATING RANGE is the range of temperature in which you can find, according to our study experience and know-how, the better relation price - quality life-time.

BSS NM ZZ (6300 Serie)

Ball Bearings in Stainless Steel (not magnetic)



OPERATING RANGE: -30° / 130°C

ECONOMIC OPERATING RANGE: -30° / 130°C

Designation	Bore (B)	Diam (D)	Width (W)	Weight, g	Limiting Speed, RPM	Static Load, kN at 130°C	Static Load, kN at 20°C
6300 BSS NM ZZ	10	35	11	52	200	0,23	0,23
6301 BSS NM ZZ	12	37	12	60	190	0,28	0,28
6302 BSS NM ZZ	15	42	13	80	180	0,36	0,36
6303 BSS NM ZZ	17	47	14	120	170	0,44	0,44
6304 BSS NM ZZ	20	52	15	140	160	0,57	0,57
6305 BSS NM ZZ	25	62	17	225	150	0,76	0,76
6306 BSS NM ZZ	30	72	19	350	140	0,82	0,82
6307 BSS NM ZZ	35	80	21	450	130	0,95	0,95
6308 BSS NM ZZ	40	90	23	620	120	1,25	1,25
6309 BSS NM ZZ	45	100	25	830	110	1,60	1,60
6310 BSS NM ZZ	50	110	27	1050	100	1,90	1,90
6311 BSS NM ZZ	55	120	29	1350	90	2,38	2,38
6312 BSS NM ZZ	60	130	31	1700	80	2,60	2,60
6313 BSS NM ZZ	65	140	33	2100	70	3,00	3,00
6314 BSS NM ZZ	70	150	35	2500	60	3,40	3,40
6315 BSS NM ZZ	75	160	37	3000	50	3,83	3,83

OPERATING RANGE is the correct technical range in which can be used the bearing with good operating result.

ECONOMIC OPERATING RANGE is the range of temperature in which you can find, according to our study experience and know-how, the better relation price - quality life-time.



HOUSINGS - IN PLASTIC AND STAINLESS STEEL

Housings (for Pillow Blocks) in Plastic & Stainless Steel (not magnetic)

Stainless Steel Housing:

Housings in SS are engineered according to international standards in not magnetic Stainless steel and can be used with Insert bearing for High Temperatures & Insert bearing in Stainless steel.

Material: Stainless steel AISI 304(or similar).

Please follow next catalogue pages for more detailed info regarding dimension and tech.characteristics.

Plastic Housing:

Housings in Plastic are engineered according to international standards in Plastic and can be used with Insert bearing in Stainless steel.

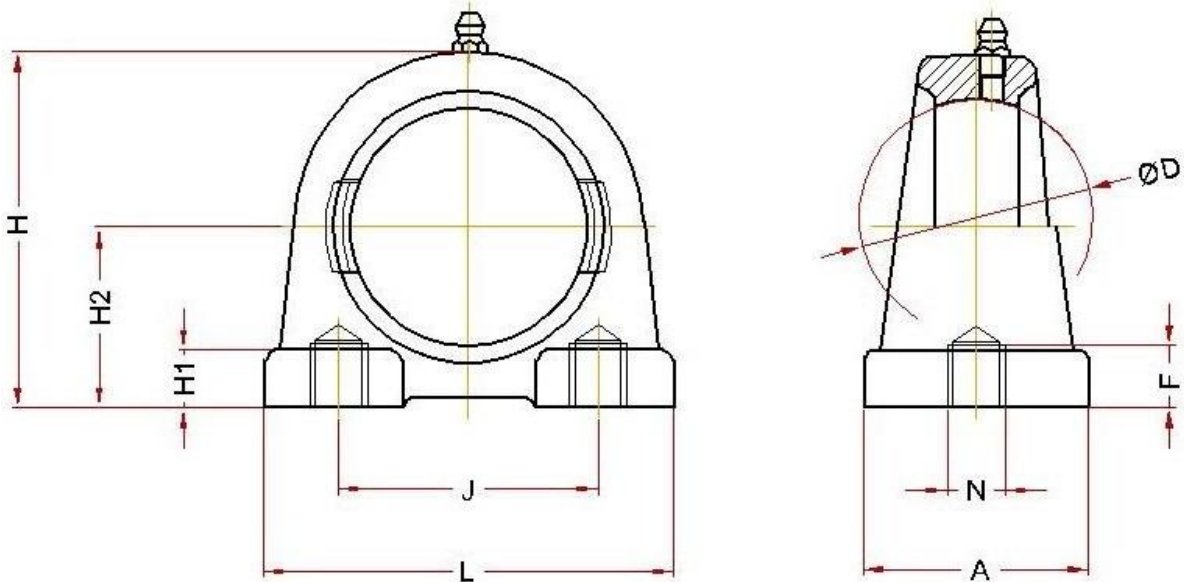
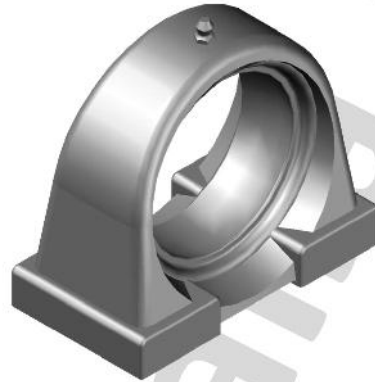
Material: Thermoplastic suitable to work in temperatures up to 100°C. Our PL Housings are supplied White color, on request can be supplied in Green, Black.

Please Follow next catalogue pages for more detailed info regarding dimension and tech.characteristics.



PA SS (200 Serie)

Housings in Stainless Steel (not magnetic)

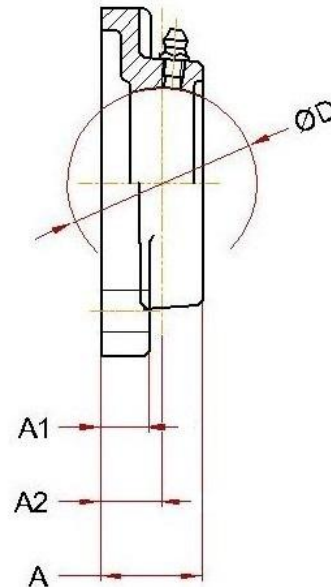
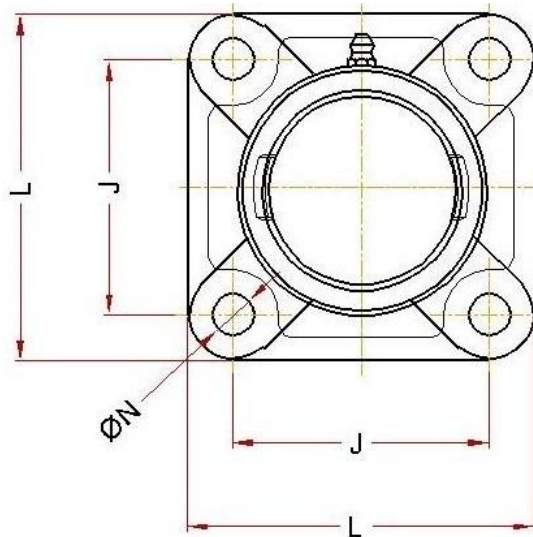
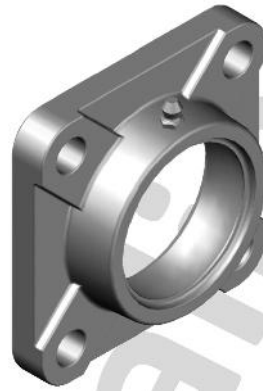


Housing code	D (Diam)	L (max)	J	A (max)	H (max)	H1 (max)	H2	N	F	* Weight, g
PA 204 SS	47	76	52	40	62	11	30,2	M10	13	410
PA 205 SS	52	84	56	45	72	12	36,5	M10	15	460
PA 206 SS	62	94	66	50	84	13	42,9	M14	18	680
PA 207 SS	72	110	80	55	95	13	47,6	M14	20	920
PA 208 SS	80	116	84	58	100	13	49,2	M14	20	1160
PA 209 SS	85	120	90	60	108	13	54,2	M14	25	1300
PA 210 SS	90	130	94	64	116	14	57,2	M16	25	1760

* **Weight** for housings is indicative. The production is made from Stainless steel Casting and weight depends from the condition of the molding.

F SS (200 Serie)

Housings in Stainless Steel (not magnetic)

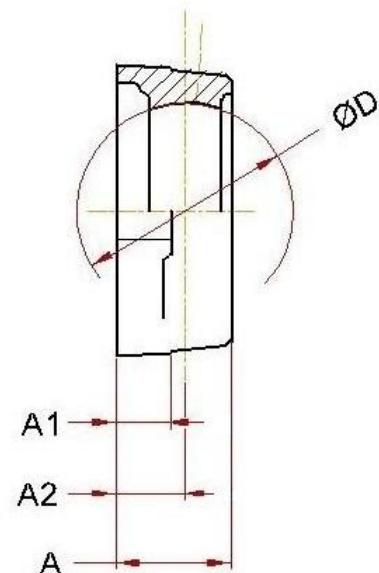
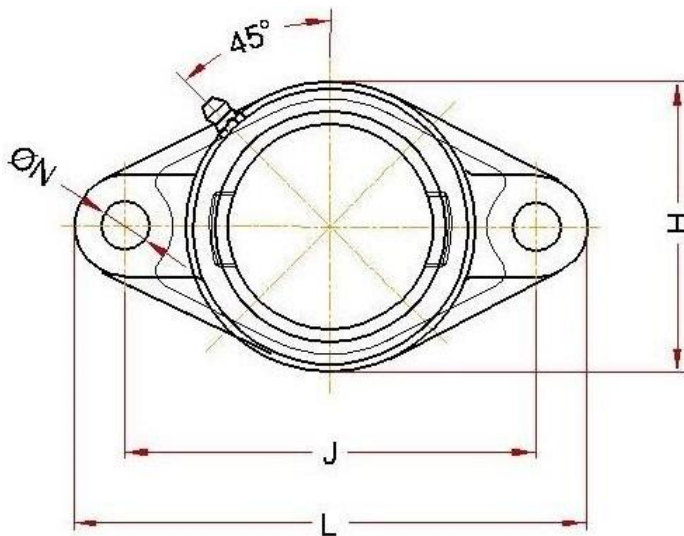
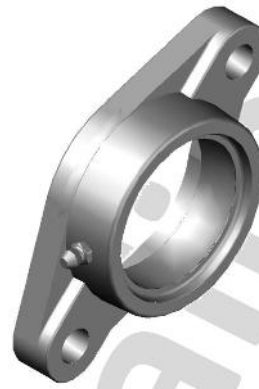


Housing code	D (Diam)	L (max)	J	A (max)	A1 (max)	A2	N (Diam)	* Weight, g
F 204 SS	47	88	64	34	15	19	11,5 ± 1,0	390
F 205 SS	52	97	70	35	15	19	12,0 ± 0,5	450
F 206 SS	62	110	83	38	16	20	12,0 ± 0,5	610
F 207 SS	72	119	92	38	17	21	14,0 ± 1,0	750
F 208 SS	80	132	102	43	17	24	14,0 ± 1,0	1010
F 209 SS	85	139	105	45	18	24	15,0 ± 2,0	1110
F 210 SS	90	145	111	48	20	28	18,0 ± 1,0	1270
F 211 SS	100	164	130	51	21	31	18,0 ± 1,0	1670
F 212 SS	110	177	143	52	21	34	18,0 ± 1,0	1970
F 213 SS	120	189	149	57	24	34	18,0 ± 1,0	2550
F 214 SS	125	195	152	58	24	35	18,5 ± 1,5	2820
F 215 SS	130	202	159	60	24	35	20,8 ± 3,8	3160

* **Weight** for housings is indicative. The production is made from Stainless steel Casting and weight depends from the condition of the molding.

FL SS (200 Serie)

Housings in Stainless Steel (not magnetic)

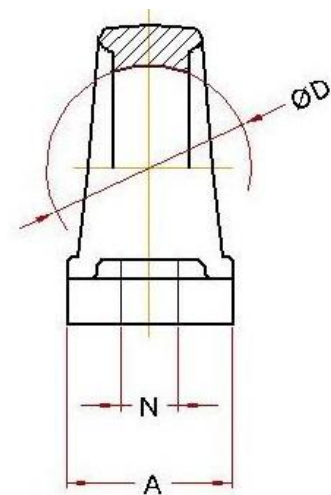
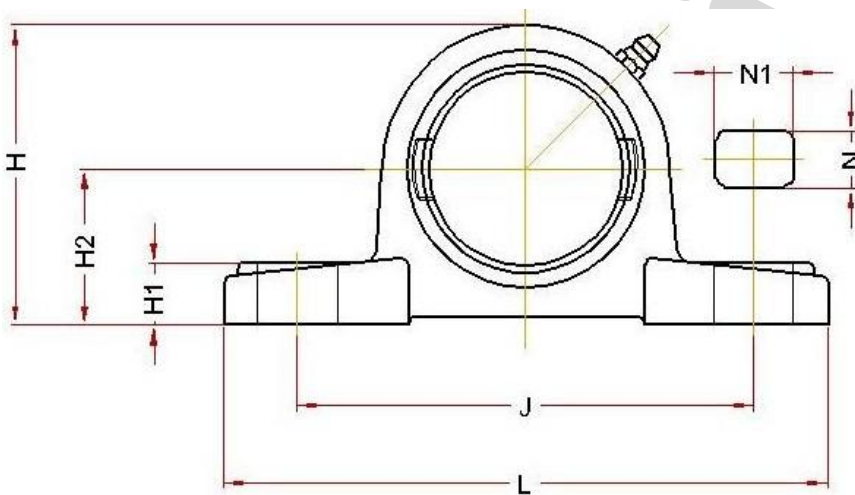
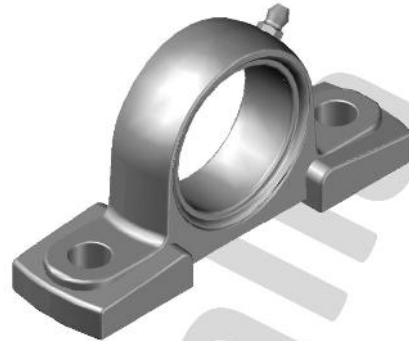


Housing code	D (Diam)	L (max)	J	A (max)	A1 (max)	A2	H	N (Diam)	* Weight, g
FL 204 SS	47	113	90	34	15	19	62	11,5 ± 1,0	220
FL 205 SS	52	125	99	35	15	19	70	12,0 ± 0,5	260
FL 206 SS	62	142	117	38	16	20	83	12,0 ± 0,5	360
FL 207 SS	72	156	130	38	17	21	96	14,0 ± 1,0	620
FL 208 SS	80	172	144	43	17	24	105	14,0 ± 1,0	760
FL 209 SS	85	180	148	45	18	24	112	15,0 ± 2,0	910
FL 210 SS	90	190	157	48	20	28	117	18,0 ± 1,0	1060
FL 211 SS	100	222	184	51	21	31	134	18,0 ± 1,0	1350
FL 212 SS	110	238	202	60	21	34	142	18,0 ± 1,0	1710

* **Weight** for housings is indicative. The production is made from Stainless steel Casting and weight depends from the condition of the molding.

P SS (200 Serie)

Housings in Stainless Steel (not magnetic)

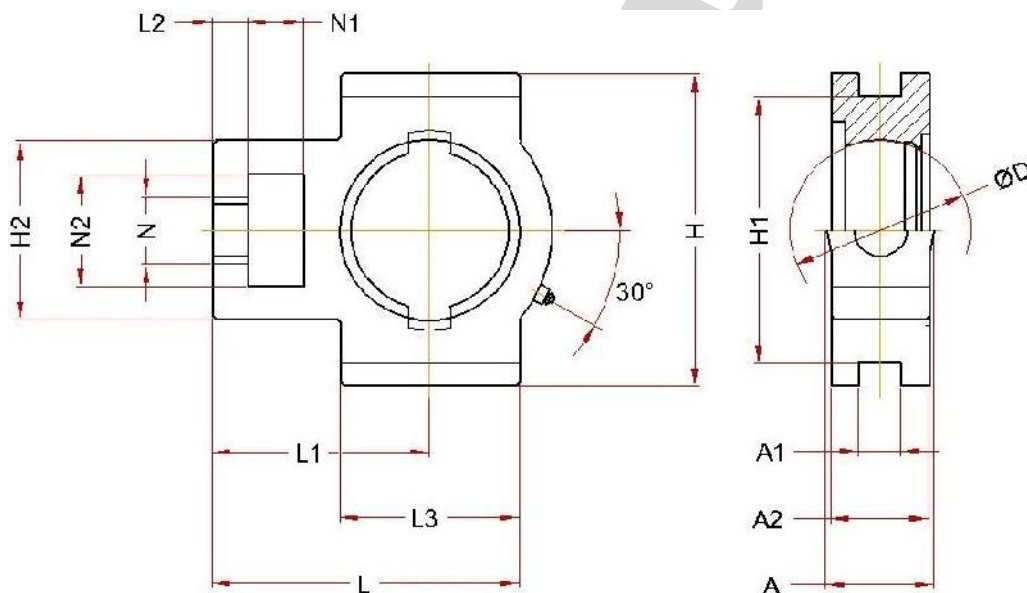
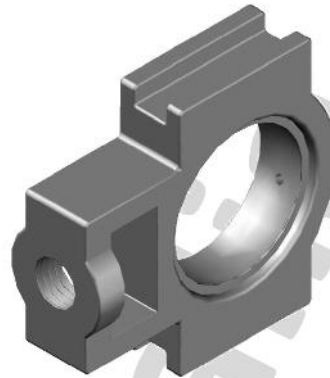


Housing code	D (Diam)	L (max)	J	A (max)	H	H1 (max)	H2	N	N1 (min)	* Weight, g
P 204 SS	47	134	96	39	65	17	33,3	11,5 ± 1,0	16	360
P 205 SS	52	142	105	39	70	17	36,5	11,5 ± 1,0	16	430
P 206 SS	62	167	121	48	83	20	42,9	14,0 ± 1,0	19	600
P 207 SS	72	172	126	48	94	20	47,6	14,0 ± 1,0	19	770
P 208 SS	80	186	136	55	100	20	49,2	14,0 ± 1,0	19	930
P 209 SS	85	192	146	55	108	22	54,0	14,0 ± 1,0	20	1040
P 210 SS	90	208	159	61	114	23	57,2	18,0 ± 1,0	20	1380
P 211 SS	100	233	172	61	126	25	63,5	18,0 ± 1,0	22	1610
P 212 SS	110	243	186	71	138	27	69,9	18,0 ± 1,0	24	2090
P 213 SS	120	268	203	73	150	34	76,2	22,8 ± 1,8	24	2650
P 214 SS	125	274	210	74	156	34	79,4	22,8 ± 1,8	24	2690
P 215 SS	130	300	217	83	162	35	82,6	22,8 ± 1,8	24	3170

* **Weight** for housings is indicative. The production is made from Stainless steel Casting and weight depends from the condition of the molding.

T SS (200 Serie)

Housings in Stainless Steel (not magnetic)

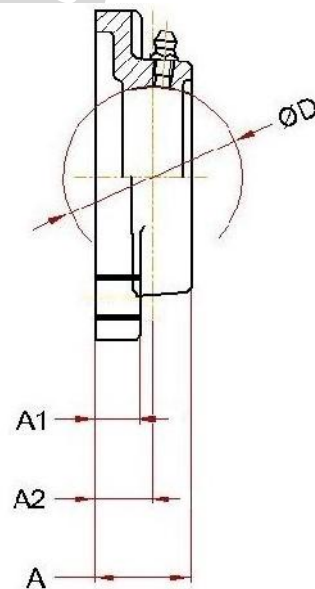
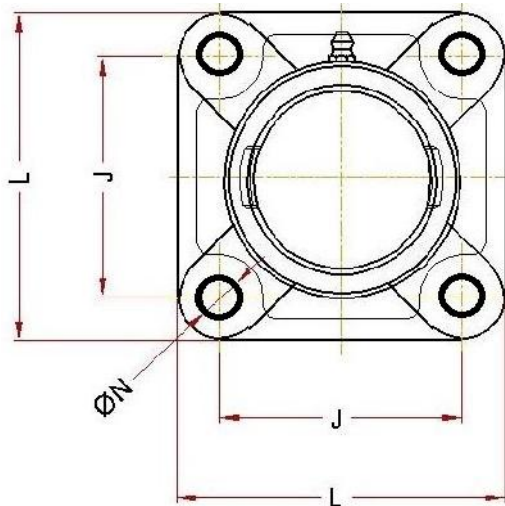


Housing code	D (Diam)	L (max)	L1 (max)	L2 (max)	L3 (max)	H (max)	H1	H2 (max)	A (max)	A1	A2 (max)	N (min)	N1 (min)	N2 (min)	* Weight, g
T 204 SS	47	104	69	9	59	94	76	64	51	13,6 ± 0,4	36	18	15	30	520
T 205 SS	52	104	69	9	59	94	76	64	51	13,6 ± 0,4	38	18	15	30	560
T 206 SS	62	118	74	9	66	107	89	66	53	13,6 ± 0,4	38	19	15	36	820
T 207 SS	72	132	81	10	72	107	89	66	53	13,6 ± 0,4	38	19	15	36	860
T 208 SS	80	146	91	14	84	124	101	85	67	17,6 ± 0,4	44	27	18	47	1470
T 209 SS	85	149	91	14	84	124	101	85	67	17,6 ± 0,4	44	27	18	47	1490
T 210 SS	90	153	92	14	88	124	101	85	67	17,6 ± 0,4	50	27	18	47	1550
T 211 SS	100	191	120	17	104	152	130	104	72	27,4 ± 0,6	56	34	24	62	2590
T 212 SS	110	196	120	17	104	152	130	104	72	27,4 ± 0,6	56	34	29	62	2750

* **Weight** for housings is indicative. The production is made from Stainless steel Casting and weight depends from the condition of the molding.

F PL (200 Serie)

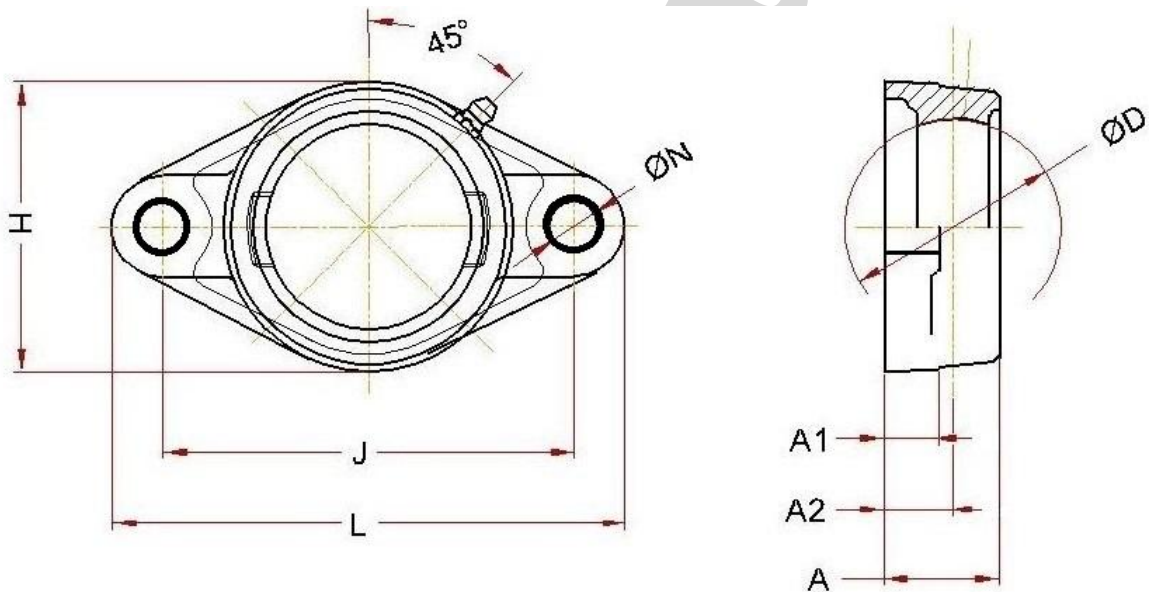
Housings in Plastic



Housing code	D (Diam)	L	J	A	A1	A2	N (Diam)	Weight, g
F PL 204	47	86	63 ± 0,7	28	14	17 ± 0,5	11	123
F PL 205	52	95	70 ± 0,7	28	15	18 ± 0,5	11	152
F PL 206	62	107	83 ± 0,7	32	15	19 ± 0,5	11	184
F PL 207	72	117	92 ± 0,7	35	16	21 ± 0,5	13	241
F PL 208	80	129	102 ± 0,7	37	18	23 ± 0,5	14	315
F PL 209	85	137	105 ± 0,7	41	20	24 ± 0,5	17	346
F PL 210	90	143	111 ± 0,7	42	20	25 ± 0,5	17	402
F PL 211	100	162	130 ± 1,0	42	20	25 ± 0,8	19	501
F PL 212	110	175	143 ± 1,0	48	20	29 ± 0,8	19	584

FL PL (200 Serie)

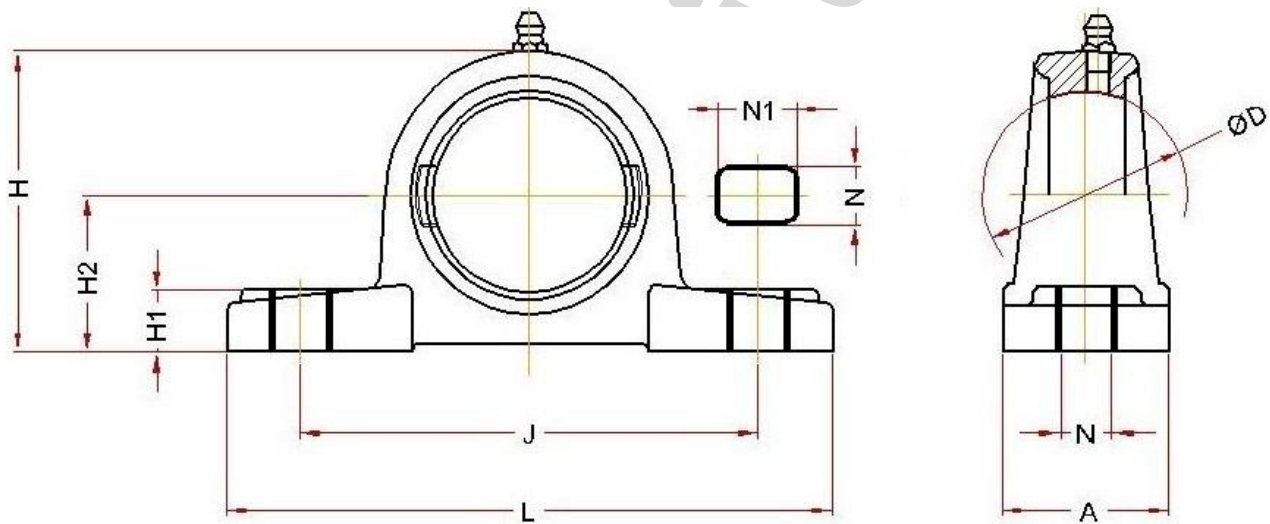
Housings in Plastic



Housing code	D (Diam)	L	J	A	A1	A2	H	N (Diam)	Weight, g
FL PL 204	47	113	90 ± 0,7	27	12	15 ± 0,5	64	11	78
FL PL 205	52	131	99 ± 0,7	30	14	17 ± 0,5	70	11	104
FL PL 206	62	148	117 ± 0,7	31	14	19 ± 0,5	79	11	121
FL PL 207	72	164	130 ± 0,7	33	16	18 ± 0,5	90	13	153
FL PL 208	80	175	144 ± 0,7	38	20	21 ± 0,5	99	14	210
FL PL 209	85	189	148 ± 0,7	41	21	24 ± 0,5	107	17	260
FL PL 210	90	198	157 ± 0,7	43	21	25 ± 0,5	115	17	293
FL PL 211	100	225	184 ± 1,0	43	19	25 ± 0,8	130	19	357
FL PL 212	110	250	202 ± 1,0	45	23	29 ± 0,8	141	19	505

P PL (200 Serie)

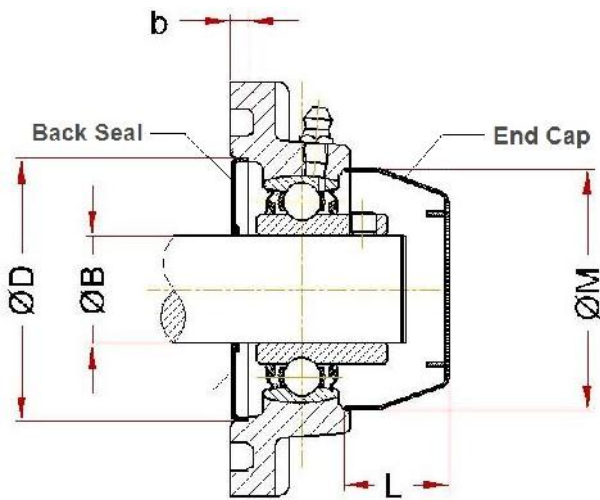
Housings in Plastic



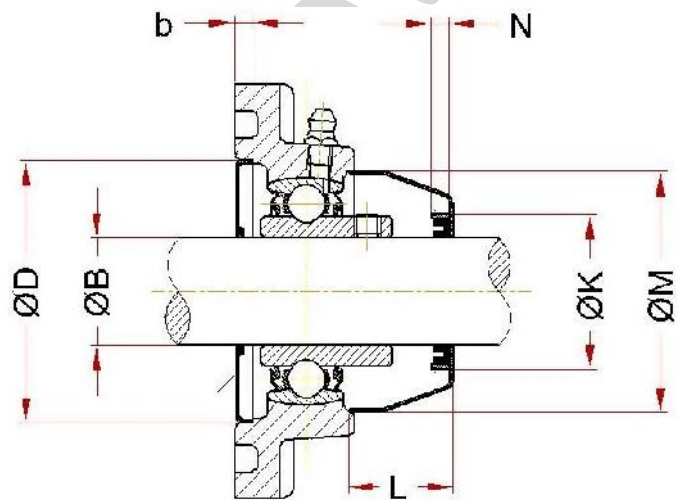
Housing code	D (Diam)	L	J	A	H	H1	H2	N	N1	Weight, g
P PL 204	47	127	95 ± 0,7	38	65,0	14,5	33,3 ± 0,15	11	14	125
P PL 205	52	141	105 ± 0,7	38	71,5	14,5	36,5 ± 0,15	11	14	157
P PL 206	62	164	119 ± 0,7	46	83,5	17,8	42,9 ± 0,15	14	18	238
P PL 207	72	169	127 ± 0,7	48	94,5	18,0	47,6 ± 0,15	14	18	278
P PL 208	80	184	137 ± 0,7	54	99,0	20,0	49,2 ± 0,15	14	18	322
P PL 209	85	192	146 ± 0,7	54	106,0	22,5	54,0 ± 0,15	17	20	366
P PL 210	90	206	159 ± 0,7	60	114,0	22,5	57,2 ± 0,15	17	20	472
P PL 211	100	220	171 ± 0,7	60	126,5	22,5	63,5 ± 0,20	17	20	551
P PL 212	110	241	184 ± 0,7	70	137,5	26,5	69,8 ± 0,20	17	20	707

PLASTIC CAPS (EC200 Serie)

End Caps and Back Seal for Plastic Housing



CLOSED (EC200C)



OPEN (EC200O)

Designation	B (Bore)	D (Diam)	b	M (Diam)	N	K (Diam)	L
EC204C	20	52	6	50	7	32	23
EC204O							
EC205C	25	62	6	55	7	37	25
EC205O							
EC206C	30	72	6	64	7	42	30
EC206O							
EC207C	35	82	6	74	7	47	32
EC207O							
EC208C	40	88	6	84	7	52	37
EC208O							
EC209C	45	93	6	89	7	57	41
EC209O							
EC210C	50	98	6	94	7	62	47
EC210O							
EC211C	55	108	6	104	7	65	56
EC211O							
EC212C	60	118	6	114	7	70	60
EC212O							



BSS

Ball Bearings in Stainless Steel (magnetic)

The BSS bearings are made of hardened stainless steel for all the rotational parts and AISI 304 for the protection and the cage. The construction in tempered stainless steel provides excellent results in applications mildly aggressive and is not recommended for use in the presence of acids, salts, sea water, etc. The BSS bearings have success in many applications especially in the presence of weather conditions, which is an excellent solution for the realization of sliding glass doors outside.

Technical characteristics:

Bearing material: tempered stainless steel
Standard Radial Clearance
Bearing running open
Greasing: The bearings are supplied not greased

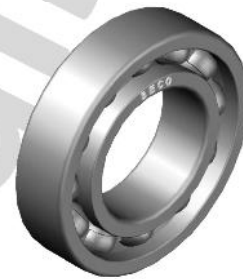
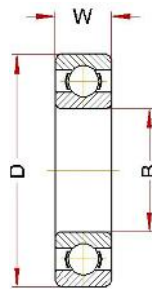
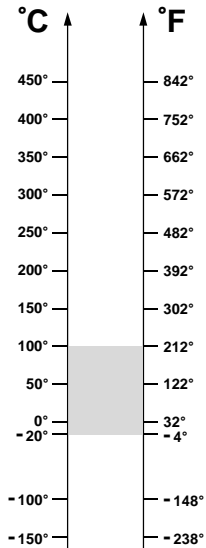
Fields of application:

Air conveyors for food processing plants
Construction industry, windows, sliding windows, etc.



BSS (6000 Serie)

Ball Bearings in Stainless Steel (magnetic)



OPERATING RANGE: -20° / 100°C

ECONOMIC OPERATING RANGE: -20° / 100°C

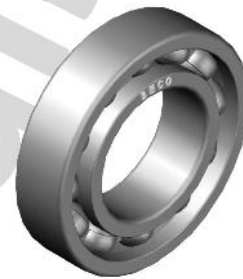
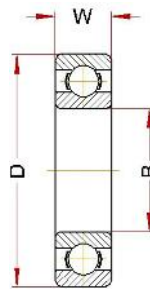
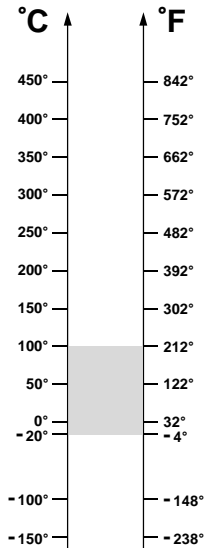
Designation	Bore (B)	Diam (D)	Width (W)	Weight, g	Limiting Speed, RPM	Static Load, kN at 100°C	Static Load, kN at 20°C
6000 BSS	10	26	8	20	19720	1,57	1,57
6001 BSS	12	28	8	25	16640	1,89	1,89
6002 BSS	15	32	9	30	15360	2,28	2,28
6003 BSS	17	35	10	40	14080	2,60	2,60
6004 BSS	20	42	12	69	12800	4,00	4,00
6005 BSS	25	47	12	80	10880	4,68	4,68
6006 BSS	30	55	13	120	8320	6,40	6,40
6007 BSS	35	62	14	160	7040	8,32	8,32
6008 BSS	40	68	15	190	6400	9,44	9,44
6009 BSS	45	75	16	250	5760	11,44	11,44
6010 BSS	50	80	16	260	5440	12,48	12,48
6011 BSS	55	90	18	390	4800	16,96	16,96
6012 BSS	60	95	18	420	4480	18,50	18,50
6013 BSS	65	100	18	440	4032	20,00	20,00
6014 BSS	70	110	20	600	3840	25,20	25,20
6015 BSS	75	115	20	640	3584	27,20	27,20

OPERATING RANGE is the correct technical range in which can be used the bearing with good operating result.

ECONOMIC OPERATING RANGE is the range of temperature in which you can find, according to our study experience and know-how, the better relation price - quality life-time.

BSS (6200 Serie)

Ball Bearings in Stainless Steel (magnetic)



OPERATING RANGE: -20° / 100°C

ECONOMIC OPERATING RANGE: -20° / 100°C

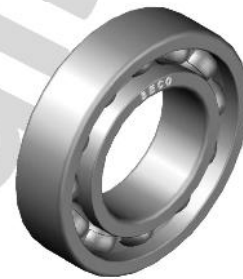
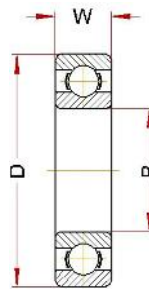
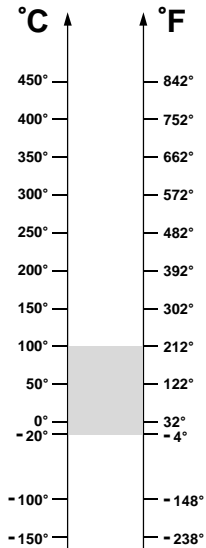
Designation	Bore (B)	Diam (D)	Width (W)	Weight, g	Limiting Speed, RPM	Static Load, kN at 100°C	Static Load, kN at 20°C
6200 BSS	10	30	9	30	16640	2,08	2,08
6201 BSS	12	32	10	37	15360	2,48	2,48
6202 BSS	15	35	11	45	12800	3,00	3,00
6203 BSS	17	40	12	65	11520	3,80	3,80
6204 BSS	20	47	14	110	10240	5,24	5,24
6205 BSS	25	52	15	130	8960	6,40	6,40
6206 BSS	30	62	16	200	7040	8,96	8,96
6207 BSS	35	72	17	290	6080	12,24	12,24
6208 BSS	40	80	18	370	5440	14,40	14,40
6209 BSS	45	85	19	410	5120	16,32	16,32
6210 BSS	50	90	20	460	4800	19,20	19,20
6211 BSS	55	100	21	610	4288	23,20	23,20
6212 BSS	60	110	22	780	3840	28,80	28,80
6213 BSS	65	120	23	990	3392	33,20	33,20
6214 BSS	70	125	24	1040	3200	35,20	35,20
6215 BSS	75	130	25	1210	3072	39,20	39,20

OPERATING RANGE is the correct technical range in which can be used the bearing with good operating result.

ECONOMIC OPERATING RANGE is the range of temperature in which you can find, according to our study experience and know-how, the better relation price - quality life-time.

BSS (6300 Serie)

Ball Bearings in Stainless Steel (magnetic)



OPERATING RANGE: -20° / 100°C

ECONOMIC OPERATING RANGE: -20° / 100°C

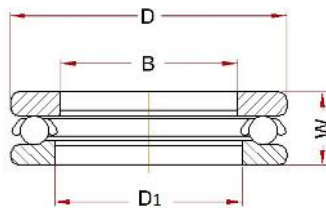
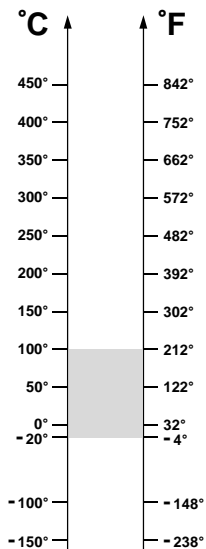
Designation	Bore (B)	Diam (D)	Width (W)	Weight, g	Limiting Speed, RPM	Static Load, kN at 100°C	Static Load, kN at 20°C
6300 BSS	10	35	11	52	14080	2,76	2,76
6301 BSS	12	37	12	60	12800	3,32	3,32
6302 BSS	15	42	13	80	11520	4,32	4,32
6303 BSS	17	47	14	120	10240	5,54	5,54
6304 BSS	20	52	15	140	8960	6,80	6,80
6305 BSS	25	62	17	225	7040	9,12	9,12
6306 BSS	30	72	19	350	6080	13,0	13,0
6307 BSS	35	80	21	450	5440	15,2	15,2
6308 BSS	40	90	23	620	4800	20,0	20,0
6309 BSS	45	100	25	830	4288	25,6	25,6
6310 BSS	50	110	27	1050	3840	30,4	30,4
6311 BSS	55	120	29	1350	3392	38,0	38,0
6312 BSS	60	130	31	1700	3200	41,6	41,6
6313 BSS	65	140	33	2100	2880	48,0	48,0
6314 BSS	70	150	35	2500	2752	56,2	56,2
6315 BSS	75	160	37	3000	2560	61,2	61,2

OPERATING RANGE is the correct technical range in which can be used the bearing with good operating result.

ECONOMIC OPERATING RANGE is the range of temperature in which you can find, according to our study experience and know-how, the better relation price - quality life-time.

BSS (51100 Serie)

Thrust Ball Bearings in Stainless Steel (magnetic)



OPERATING RANGE: -20° / 100°C

ECONOMIC OPERATING RANGE: -20° / 100°C

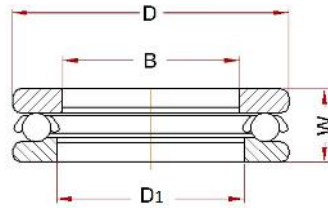
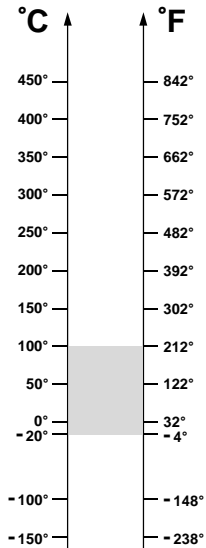
Designation	Bore (B)	Diam (D)	Diam (D1)	Width (W)	Weight, g	Limiting Speed, RPM	Static Load, kN at 100°C	Static Load, kN at 20°C
51100 BSS	10	24	11	9	20	10400	12,24	12,24
51101 BSS	12	26	13	9	20	10400	13,28	13,28
51102 BSS	15	28	16	9	20	9600	14,64	14,64
51103 BSS	17	30	18	9	30	9600	16,96	16,96
51104 BSS	20	35	21	9	40	8000	23,20	23,20
51105 BSS	25	42	26	10	60	7200	31,20	31,20
51106 BSS	30	47	32	11	60	6800	34,40	34,40
51107 BSS	35	52	37	11	80	6000	40,80	40,80
51108 BSS	40	60	42	13	120	5600	50,40	50,40
51109 BSS	45	65	47	14	140	5040	55,60	55,60
51110 BSS	50	70	52	14	160	5040	60,00	60,00
51111 BSS	55	78	57	16	230	4240	65,20	65,20
51112 BSS	60	85	62	17	300	4000	97,60	97,60
51113 BSS	65	90	67	18	330	3840	86,40	86,40
51114 BSS	70	95	72	18	350	3600	96,00	96,00
51115 BSS	75	100	77	19	400	3440	107,2	107,2

OPERATING RANGE is the correct technical range in which can be used the bearing with good operating result.

ECONOMIC OPERATING RANGE is the range of temperature in which you can find, according to our study experience and know-how, the better relation price - quality life-time.

BSS (51200 Serie)

Thrust Ball Bearings in Stainless Steel (magnetic)



OPERATING RANGE: -20° / 100°C

ECONOMIC OPERATING RANGE: -20° / 100°C

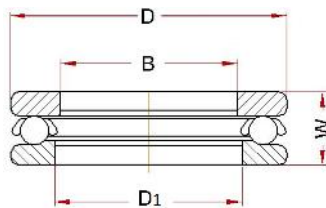
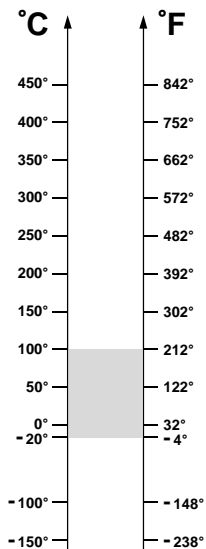
Designation	Bore (B)	Diam (D)	Diam (D1)	Width (W)	Weight, g	Limiting Speed, RPM	Static Load, kN at 100°C	Static Load, kN at 20°C
51200 BSS	10	26	12	11	30	8800	14,8	14,8
51201 BSS	12	28	14	11	30	8800	16,6	16,6
51202 BSS	15	32	17	12	50	8000	20,0	20,0
51203 BSS	17	35	19	12	50	7600	21,6	21,6
51204 BSS	20	40	22	14	80	6400	30,0	30,0
51205 BSS	25	47	27	15	110	6000	40,0	40,0
51206 BSS	30	52	32	16	130	5360	40,8	40,8
51207 BSS	35	62	37	18	220	4480	58,8	58,8
51208 BSS	40	68	42	19	280	4240	77,2	77,2
51209 BSS	45	73	47	20	300	4000	69,2	69,2
51210 BSS	50	78	52	22	370	3600	92,8	92,8
51211 BSS	55	90	57	25	590	3200	107	107
51212 BSS	60	95	62	26	650	3040	112	112
51213 BSS	65	100	67	27	780	2880	120	120
51214 BSS	70	105	72	27	790	2880	128	128
51215 BSS	75	110	77	27	830	2720	136	136

OPERATING RANGE is the correct technical range in which can be used the bearing with good operating result.

ECONOMIC OPERATING RANGE is the range of temperature in which you can find, according to our study experience and know-how, the better relation price - quality life-time.

BSS (51300 Serie)

Thrust Ball Bearings in Stainless Steel (magnetic)



OPERATING RANGE: -20° / 100°C

ECONOMIC OPERATING RANGE: -20° / 100°C

Designation	Bore (B)	Diam (D)	Diam (D1)	Width (W)	Weight, g	Limiting Speed, RPM	Static Load, kN at 100°C	Static Load, kN at 20°C
51305 BSS	25	52	27	18	170	5040	48,0	48,0
51306 BSS	30	60	32	21	260	4240	52,4	52,4
51307 BSS	35	68	37	24	380	3840	77,2	77,2
51308 BSS	40	78	42	26	530	3440	97,6	97,6
51309 BSS	45	85	47	28	660	3200	122	122
51310 BSS	50	95	52	31	940	2880	136	136
51311 BSS	55	105	57	35	1300	2560	179	179
51312 BSS	60	110	62	35	1350	2400	179	179
51313 BSS	65	115	67	36	1500	2400	192	192
51314 BSS	70	125	72	40	2000	2080	256	256
51315 BSS	75	135	77	44	2600	1920	312	312

OPERATING RANGE is the correct technical range in which can be used the bearing with good operating result.

ECONOMIC OPERATING RANGE is the range of temperature in which you can find, according to our study experience and know-how, the better relation price - quality life-time.



BSS 2RS NSF H1

Ball Bearings in Stainless Steel (magnetic)

The BSS 2RS NSF H1 bearings are made of hardened stainless steel for all the rotational parts and AISI 304 for the protection and the cage. The construction in tempered stainless steel provides excellent results in applications mildly aggressive and is not recommended for use in the presence of acids, salts, sea water, etc. The BSS 2RS NSF H1 bearings are lubricated with grease suitable for use in food industry in accordance with NSF registration H1.

Technical characteristics:

Bearing material: tempered stainless steel
Standard Radial Clearance
Stainless Steel seals type 2RS
Lubricated with grease suitable for use in food industry according NSF H1 standard

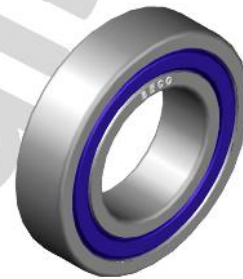
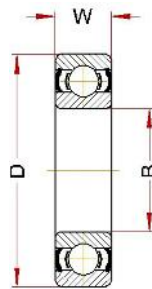
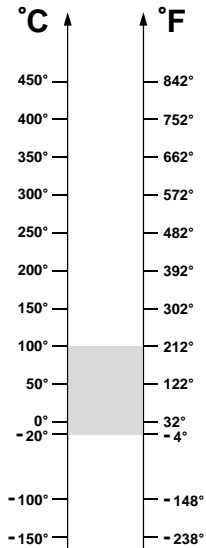
Fields of application:

Air conveyors for food processing plants
Construction industry, windows, sliding windows, etc.
Food Industry



BSS 2RS NSF H1 (MICRO Serie)

Ball Bearings in Stainless Steel (magnetic)



OPERATING RANGE: -20° / 100°C

ECONOMIC OPERATING RANGE: -20° / 100°C

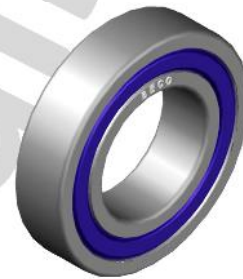
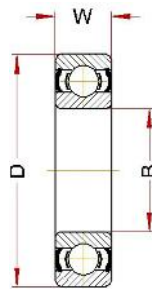
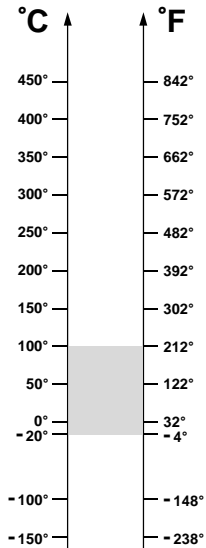
Designation	Bore (B)	Diam (D)	Width (W)	Weight, g	Limiting Speed, RPM	Static Load, kN at 100°C	Static Load, kN at 20°C
613/3 BSS 2RS NSF H1	3	8	3	2	25600	0,12	0,12
623 BSS 2RS NSF H1	3	10	4	3	25600	0,18	0,18
604 BSS 2RS NSF H1	4	12	4	3	24320	0,34	0,34
624 BSS 2RS NSF H1	4	13	5	3	24320	0,34	0,34
605 BSS 2RS NSF H1	5	14	5	4	23040	0,42	0,42
625 BSS 2RS NSF H1	5	16	5	5	23040	0,42	0,42
606 BSS 2RS NSF H1	6	17	6	7	20480	0,85	0,85
626 BSS 2RS NSF H1	6	19	6	8	20480	0,85	0,85
607 BSS 2RS NSF H1	7	19	6	8	20480	0,85	0,85
627 BSS 2RS NSF H1	7	22	7	13	19200	1,10	1,10
608 BSS 2RS NSF H1	8	22	7	13	19200	1,10	1,10
628 BSS 2RS NSF H1	8	24	8	14	19200	1,10	1,10
609 BSS 2RS NSF H1	9	24	7	15	19200	1,30	1,30
629 BSS 2RS NSF H1	9	26	8	20	19200	1,57	1,57

OPERATING RANGE is the correct technical range in which can be used the bearing with good operating result.

ECONOMIC OPERATING RANGE is the range of temperature in which you can find, according to our study experience and know-how, the better relation price - quality life-time.

BSS 2RS NSF H1 (61800 Serie)

Ball Bearings in Stainless Steel (magnetic)



OPERATING RANGE: -20° / 100°C

ECONOMIC OPERATING RANGE: -20° / 100°C

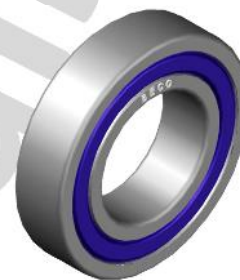
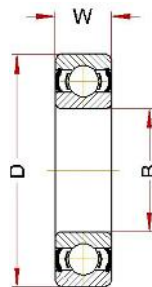
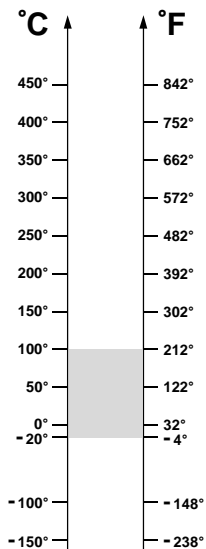
Designation	Bore (B)	Diam (D)	Width (W)	Weight, g	Limiting Speed, RPM	Static Load, kN at 100°C	Static Load, kN at 20°C
61800 BSS 2RS NSF H1	10	19	5	5,5	21760	0,42	0,42
61801 BSS 2RS NSF H1	12	21	5	6,3	20480	0,76	0,76
61802 BSS 2RS NSF H1	15	24	5	7,4	19200	1,00	1,00
61803 BSS 2RS NSF H1	17	26	5	8,2	17920	1,16	1,16
61804 BSS 2RS NSF H1	20	32	7	18	14080	1,79	1,79
61805 BSS 2RS NSF H1	25	37	7	24	12160	2,24	2,24
61806 BSS 2RS NSF H1	30	42	7	27	10240	2,68	2,68
61807 BSS 2RS NSF H1	35	47	7	32	8960	2,88	2,88
61808 BSS 2RS NSF H1	40	52	7	35	8320	3,40	3,40
61809 BSS 2RS NSF H1	45	58	7	42	7040	4,48	4,48
61810 BSS 2RS NSF H1	50	65	7	52	6400	5,04	5,04
61811 BSS 2RS NSF H1	55	72	9	81	5760	6,80	6,80
61812 BSS 2RS NSF H1	60	78	10	105	5440	8,80	8,80
61813 BSS 2RS NSF H1	65	85	10	124	4800	9,60	9,60
61814 BSS 2RS NSF H1	70	90	10	133	4480	10,0	10,0
61815 BSS 2RS NSF H1	75	95	10	143	4288	10,7	10,7

OPERATING RANGE is the correct technical range in which can be used the bearing with good operating result.

ECONOMIC OPERATING RANGE is the range of temperature in which you can find, according to our study experience and know-how, the better relation price - quality life-time.

BSS 2RS NSF H1 (61900 Serie)

Ball Bearings in Stainless Steel (magnetic)



OPERATING RANGE: -20° / 100°C

ECONOMIC OPERATING RANGE: -20° / 100°C

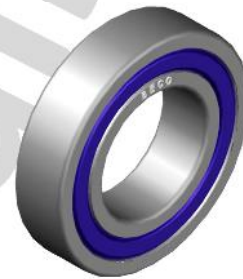
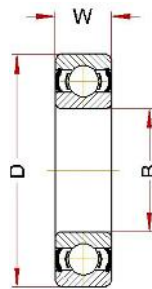
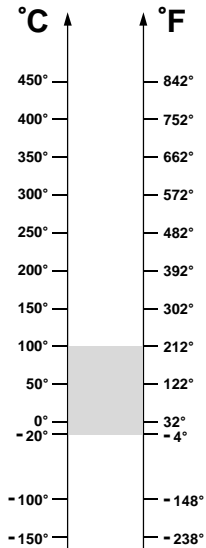
Designation	Bore (B)	Diam (D)	Width (W)	Weight, g	Limiting Speed, RPM	Static Load, kN at 100°C	Static Load, kN at 20°C
61900 BSS 2RS NSF H1	10	22	6	10	8500	0,75	0,75
61901 BSS 2RS NSF H1	12	24	6	11	8000	0,97	0,97
61902 BSS 2RS NSF H1	15	28	7	16	7500	2,03	2,03
61903 BSS 2RS NSF H1	17	30	7	18	7000	2,30	2,30
61904 BSS 2RS NSF H1	20	37	9	22	6000	3,60	3,60
61905 BSS 2RS NSF H1	25	42	9	38	5000	4,00	4,00
61906 BSS 2RS NSF H1	30	47	9	51	4250	4,52	4,52
61907 BSS 2RS NSF H1	35	55	10	80	3750	6,20	6,20
61908 BSS 2RS NSF H1	40	62	12	120	3300	9,30	9,30
61909 BSS 2RS NSF H1	45	68	12	140	3000	9,80	9,80
61910 BSS 2RS NSF H1	50	72	12	160	2800	10,4	10,4
61911 BSS 2RS NSF H1	55	80	13	190	2500	11,4	11,4
61912 BSS 2RS NSF H1	60	85	13	200	2250	12,0	12,0
61913 BSS 2RS NSF H1	65	90	13	220	2100	13,4	13,4
61914 BSS 2RS NSF H1	70	100	16	350	2000	18,3	18,3
61915 BSS 2RS NSF H1	75	105	16	370	1800	19,3	19,3

OPERATING RANGE is the correct technical range in which can be used the bearing with good operating result.

ECONOMIC OPERATING RANGE is the range of temperature in which you can find, according to our study experience and know-how, the better relation price - quality life-time.

BSS 2RS NSF H1 (6000 Serie)

Ball Bearings in Stainless Steel (magnetic)



OPERATING RANGE: -20° / 100°C

ECONOMIC OPERATING RANGE: -20° / 100°C

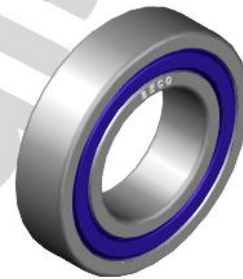
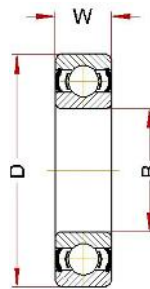
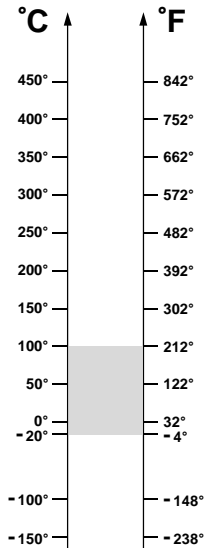
Designation	Bore (B)	Diam (D)	Width (W)	Weight, g	Limiting Speed, RPM	Static Load, kN at 100°C	Static Load, kN at 20°C
6000 BSS 2RS NSF H1	10	26	8	20	19720	1,57	1,57
6001 BSS 2RS NSF H1	12	28	8	25	16640	1,89	1,89
6002 BSS 2RS NSF H1	15	32	9	30	15360	2,28	2,28
6003 BSS 2RS NSF H1	17	35	10	40	14080	2,60	2,60
6004 BSS 2RS NSF H1	20	42	12	69	12800	4,00	4,00
6005 BSS 2RS NSF H1	25	47	12	80	10880	4,68	4,68
6006 BSS 2RS NSF H1	30	55	13	120	8320	6,40	6,40
6007 BSS 2RS NSF H1	35	62	14	160	7040	8,32	8,32
6008 BSS 2RS NSF H1	40	68	15	190	6400	9,44	9,44
6009 BSS 2RS NSF H1	45	75	16	250	5760	11,4	11,4
6010 BSS 2RS NSF H1	50	80	16	260	5440	12,4	12,4
6011 BSS 2RS NSF H1	55	90	18	390	4800	16,9	16,9
6012 BSS 2RS NSF H1	60	95	18	420	4480	18,5	18,5
6013 BSS 2RS NSF H1	65	100	18	440	4032	20,0	20,0
6014 BSS 2RS NSF H1	70	110	20	600	3840	25,2	25,2
6015 BSS 2RS NSF H1	75	115	20	640	3584	27,2	27,2

OPERATING RANGE is the correct technical range in which can be used the bearing with good operating result.

ECONOMIC OPERATING RANGE is the range of temperature in which you can find, according to our study experience and know-how, the better relation price - quality life-time.

BSS 2RS NSF H1 (6200 Serie)

Ball Bearings in Stainless Steel (magnetic)



OPERATING RANGE: -20° / 100°C

ECONOMIC OPERATING RANGE: -20° / 100°C

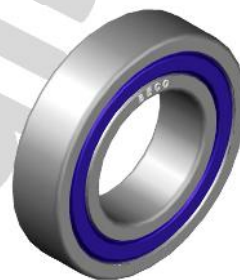
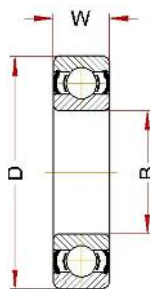
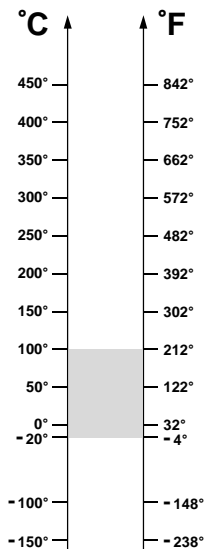
Designation	Bore (B)	Diam (D)	Width (W)	Weight, g	Limiting Speed, RPM	Static Load, kN at 100°C	Static Load, kN at 20°C
6200 BSS 2RS NSF H1	10	30	9	30	16640	2,08	2,08
6201 BSS 2RS NSF H1	12	32	10	37	15360	2,48	2,48
6202 BSS 2RS NSF H1	15	35	11	45	12800	3,00	3,00
6203 BSS 2RS NSF H1	17	40	12	65	11520	3,80	3,80
6204 BSS 2RS NSF H1	20	47	14	110	10240	5,24	5,24
6205 BSS 2RS NSF H1	25	52	15	130	8960	6,40	6,40
6206 BSS 2RS NSF H1	30	62	16	200	7040	8,96	8,96
6207 BSS 2RS NSF H1	35	72	17	290	6080	12,24	12,24
6208 BSS 2RS NSF H1	40	80	18	370	5440	14,40	14,40
6209 BSS 2RS NSF H1	45	85	19	410	5120	16,32	16,32
6210 BSS 2RS NSF H1	50	90	20	460	4800	19,20	19,20
6211 BSS 2RS NSF H1	55	100	21	610	4288	23,20	23,20
6212 BSS 2RS NSF H1	60	110	22	780	3840	28,80	28,80
6213 BSS 2RS NSF H1	65	120	23	990	3392	33,20	33,20
6214 BSS 2RS NSF H1	70	125	24	1040	3200	35,20	35,20
6215 BSS 2RS NSF H1	75	130	25	1210	3072	39,20	39,20

OPERATING RANGE is the correct technical range in which can be used the bearing with good operating result.

ECONOMIC OPERATING RANGE is the range of temperature in which you can find, according to our study experience and know-how, the better relation price - quality life-time.

BSS 2RS NSF H1 (6300 Serie)

Ball Bearings in Stainless Steel (magnetic)



OPERATING RANGE: -20° / 100°C

ECONOMIC OPERATING RANGE: -20° / 100°C

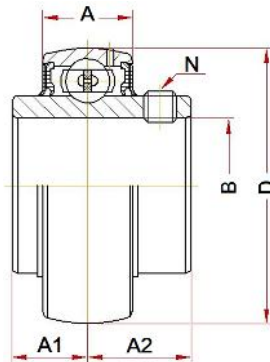
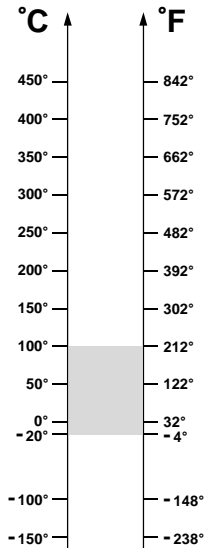
Designation	Bore (B)	Diam (D)	Width (W)	Weight, g	Limiting Speed, RPM	Static Load, kN at 100°C	Static Load, kN at 20°C
6300 BSS 2RS NSF H1	10	35	11	52	14080	2,76	2,76
6301 BSS 2RS NSF H1	12	37	12	60	12800	3,32	3,32
6302 BSS 2RS NSF H1	15	42	13	80	11520	4,32	4,32
6303 BSS 2RS NSF H1	17	47	14	120	10240	5,54	5,54
6304 BSS 2RS NSF H1	20	52	15	140	8960	6,80	6,80
6305 BSS 2RS NSF H1	25	62	17	225	7040	9,12	9,12
6306 BSS 2RS NSF H1	30	72	19	350	6080	13,0	13,0
6307 BSS 2RS NSF H1	35	80	21	450	5440	15,2	15,2
6308 BSS 2RS NSF H1	40	90	23	620	4800	20,0	20,0
6309 BSS 2RS NSF H1	45	100	25	830	4288	25,6	25,6
6310 BSS 2RS NSF H1	50	110	27	1050	3840	30,4	30,4
6311 BSS 2RS NSF H1	55	120	29	1350	3392	38,0	38,0
6312 BSS 2RS NSF H1	60	130	31	1700	3200	41,6	41,6
6313 BSS 2RS NSF H1	65	140	33	2100	2880	48,0	48,0
6314 BSS 2RS NSF H1	70	150	35	2500	2752	56,2	56,2
6315 BSS 2RS NSF H1	75	160	37	3000	2560	61,2	61,2

OPERATING RANGE is the correct technical range in which can be used the bearing with good operating result.

ECONOMIC OPERATING RANGE is the range of temperature in which you can find, according to our study experience and know-how, the better relation price - quality life-time.

BSS 2RS NSF H1 (UC Serie)

Insert Bearings in Stainless Steel



OPERATING RANGE: -20° / 100°C

ECONOMIC OPERATING RANGE: -20° / 100°C

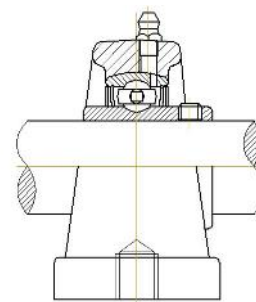
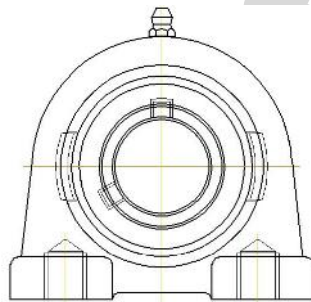
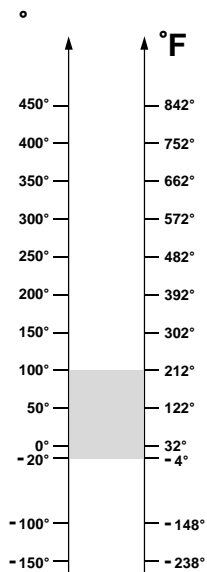
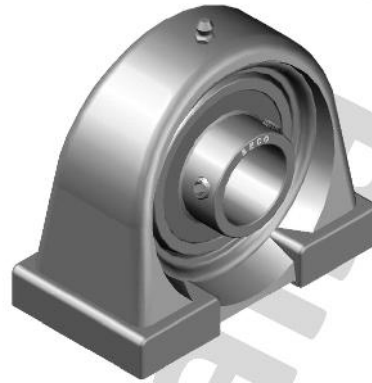
Designation	Bore (B)	Diam (D)	A	A1	A2	N	Weight, g	Limiting Speed, RPM	Static Load, kN at 100°C	Static Load, kN at 20°C
UC 201 BSS 2RS NSF H1	12	47	13 ± 2	11,5	15,9	M6x0,75	200	1440	5,94	5,94
UC 202 BSS 2RS NSF H1	15	47	13 ± 2	11,5	15,9	M6x0,75	200	1440	5,94	5,94
UC 203 BSS 2RS NSF H1	17	47	13 ± 2	11,5	15,9	M6x0,75	200	1440	5,94	5,94
UC 204 BSS 2RS NSF H1	20	47	15 ± 2	12,7	18,3	M6x0,75	250	1200	5,94	5,94
UC 205 BSS 2RS NSF H1	25	52	16 ± 1	14,3	19,8	M6x0,75	300	1120	7,00	7,00
UC 206 BSS 2RS NSF H1	30	62	17 ± 2	15,9	22,2	M6x0,75	350	880	10,1	10,1
UC 207 BSS 2RS NSF H1	35	72	18 ± 2	17,5	25,4	M8x1,00	500	760	13,6	13,6
UC 208 BSS 2RS NSF H1	40	80	19 ± 2	19,0	30,2	M8x1,00	700	680	16,3	16,3
UC 209 BSS 2RS NSF H1	45	85	20 ± 2	19,0	30,2	M8x1,00	800	640	18,5	18,5
UC 210 BSS 2RS NSF H1	50	90	22 ± 2	19,0	32,6	M10x1,25	900	600	20,8	20,8
UC 211 BSS 2RS NSF H1	55	100	23 ± 2	22,2	33,4	M10x1,25	1300	536	26,1	26,1
UC 212 BSS 2RS NSF H1	60	110	24 ± 3	25,4	39,7	M10x1,25	1700	480	29,3	29,3
UC 213 BSS 2RS NSF H1	65	120	27 ± 5	25,4	39,7	M10x1,25	1900	424	35,8	35,8
UC 214 BSS 2RS NSF H1	70	125	28 ± 5	30,2	44,4	M12x1,50	2100	400	40,2	40,2
UC 215 BSS 2RS NSF H1	75	130	29 ± 5	33,3	44,5	M12x1,50	2200	384	44,3	44,3

OPERATING RANGE is the correct technical range in which can be used the bearing with good operating result.

ECONOMIC OPERATING RANGE is the range of temperature in which you can find, according to our study experience and know-how, the better relation price - quality life-time.

BSS 2RS NSF H1 (UCPA Serie)

Pillow Block in Stainless Steel



* Dimensions available at PILLOW BLOCK HOUSINGS Pages

OPERATING RANGE: -20° / 100°C

ECONOMIC OPERATING RANGE: -20° / 100°C

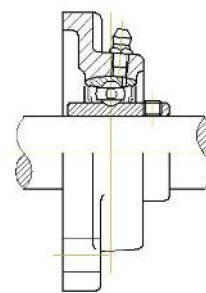
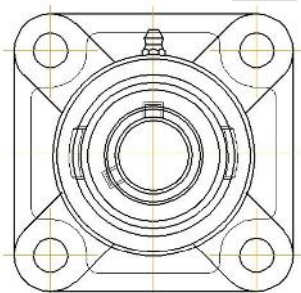
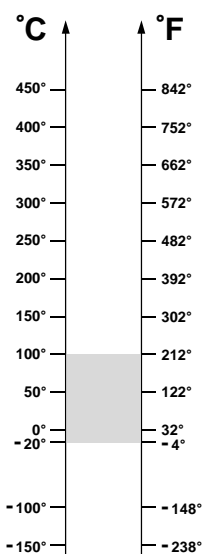
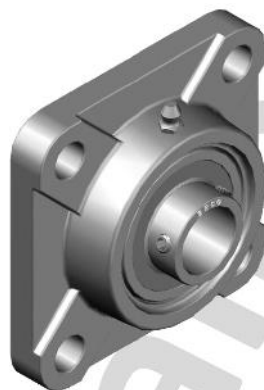
Unit code	Bearing code	Housing code
UCPA 201 BSS 2RS NSF H1	UC 201 BSS 2RS NSF H1	PA 204 SS
UCPA 202 BSS 2RS NSF H1	UC 202 BSS 2RS NSF H1	PA 204 SS
UCPA 203 BSS 2RS NSF H1	UC 203 BSS 2RS NSF H1	PA 204 SS
UCPA 204 BSS 2RS NSF H1	UC 204 BSS 2RS NSF H1	PA 204 SS
UCPA 205 BSS 2RS NSF H1	UC 205 BSS 2RS NSF H1	PA 205 SS
UCPA 206 BSS 2RS NSF H1	UC 206 BSS 2RS NSF H1	PA 206 SS
UCPA 207 BSS 2RS NSF H1	UC 207 BSS 2RS NSF H1	PA 207 SS
UCPA 208 BSS 2RS NSF H1	UC 208 BSS 2RS NSF H1	PA 208 SS
UCPA 209 BSS 2RS NSF H1	UC 209 BSS 2RS NSF H1	PA 209 SS
UCPA 210 BSS 2RS NSF H1	UC 210 BSS 2RS NSF H1	PA 210 SS

OPERATING RANGE is the correct technical range in which can be used the bearing with good operating result.

ECONOMIC OPERATING RANGE is the range of temperature in which you can find, according to our study experience and know-how, the better relation price - quality life-time.

BSS 2RS NSF H1 (UCF Serie)

Pillow Block in Stainless Steel



* Dimensions available at PILLOW BLOCK HOUSINGS Pages

OPERATING RANGE: -20° / 100°C

ECONOMIC OPERATING RANGE: -20° / 100°C

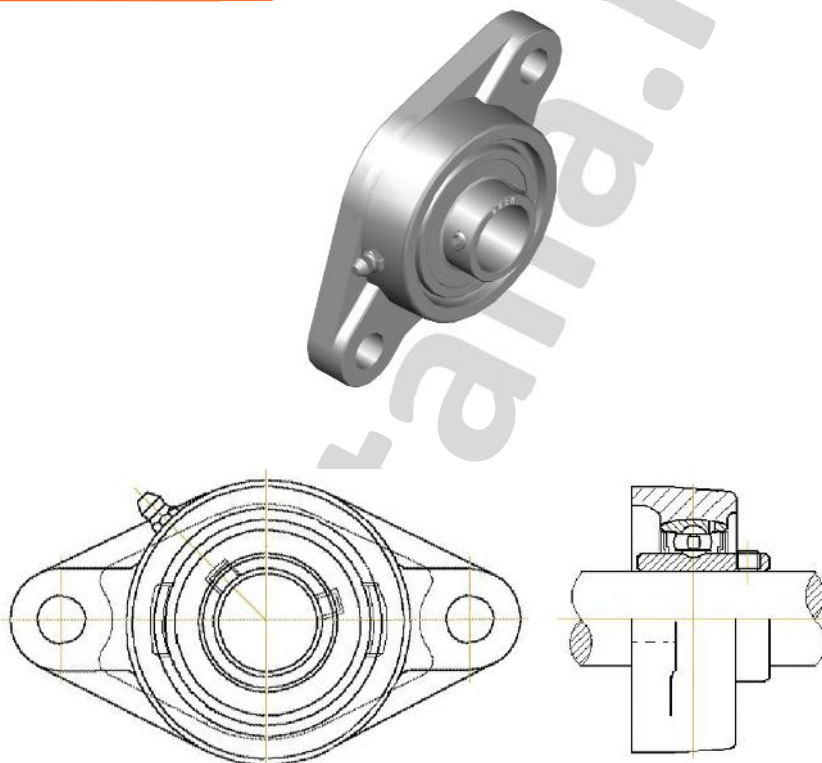
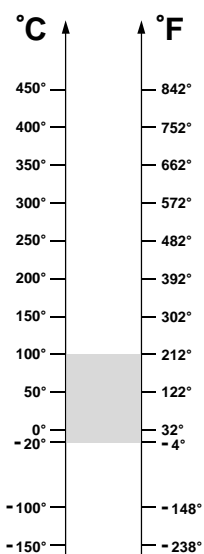
Unit code	Bearing code	Housing code
UCF 201 BSS 2RS NSF H1	UC 201 BSS 2RS NSF H1	F 204 SS
UCF 202 BSS 2RS NSF H1	UC 202 BSS 2RS NSF H1	F 204 SS
UCF 203 BSS 2RS NSF H1	UC 203 BSS 2RS NSF H1	F 204 SS
UCF 204 BSS 2RS NSF H1	UC 204 BSS 2RS NSF H1	F 204 SS
UCF 205 BSS 2RS NSF H1	UC 205 BSS 2RS NSF H1	F 205 SS
UCF 206 BSS 2RS NSF H1	UC 206 BSS 2RS NSF H1	F 206 SS
UCF 207 BSS 2RS NSF H1	UC 207 BSS 2RS NSF H1	F 207 SS
UCF 208 BSS 2RS NSF H1	UC 208 BSS 2RS NSF H1	F 208 SS
UCF 209 BSS 2RS NSF H1	UC 209 BSS 2RS NSF H1	F 209 SS
UCF 210 BSS 2RS NSF H1	UC 210 BSS 2RS NSF H1	F 210 SS
UCF 211 BSS 2RS NSF H1	UC 211 BSS 2RS NSF H1	F 211 SS
UCF 212 BSS 2RS NSF H1	UC 212 BSS 2RS NSF H1	F 212 SS
UCF 213 BSS 2RS NSF H1	UC 213 BSS 2RS NSF H1	F 213 SS
UCF 214 BSS 2RS NSF H1	UC 214 BSS 2RS NSF H1	F 214 SS
UCF 215 BSS 2RS NSF H1	UC 215 BSS 2RS NSF H1	F 215 SS

OPERATING RANGE is the correct technical range in which can be used the bearing with good operating result.

ECONOMIC OPERATING RANGE is the range of temperature in which you can find, according to our study experience and know-how, the better relation price - quality life-time.

BSS 2RS NSF H1 (UCFL Serie)

Pillow Block in Stainless Steel



* Dimensions available at PILLOW BLOCK HOUSINGS Pages

OPERATING RANGE: -20° / 100°C

ECONOMIC OPERATING RANGE: -20° / 100°C

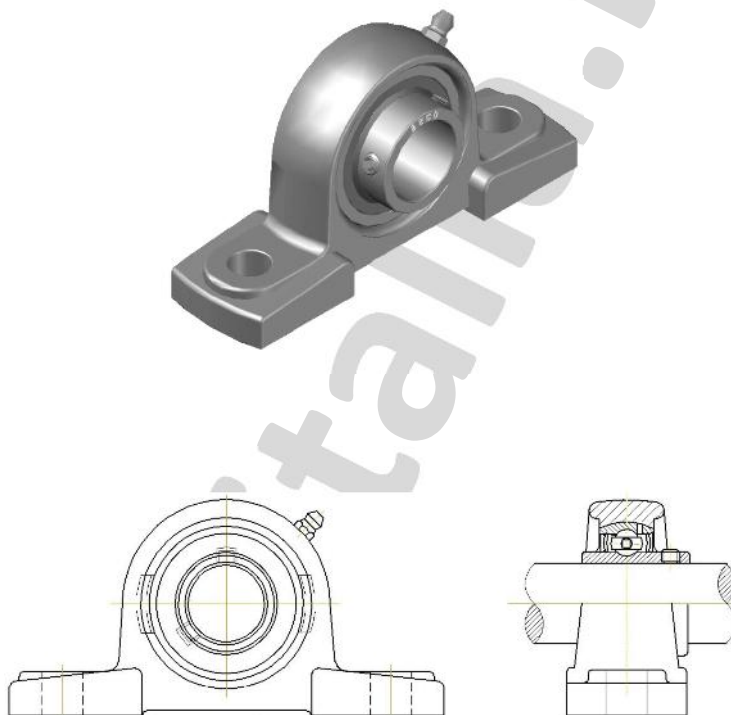
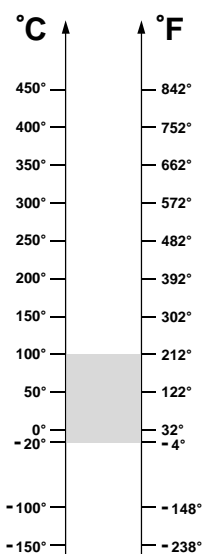
Unit code	Bearing code	Housing code
UCFL 201 BSS 2RS NSF H1	UC 201 BSS 2RS NSF H1	FL 204 SS
UCFL 202 BSS 2RS NSF H1	UC 202 BSS 2RS NSF H1	FL 204 SS
UCFL 203 BSS 2RS NSF H1	UC 203 BSS 2RS NSF H1	FL 204 SS
UCFL 204 BSS 2RS NSF H1	UC 204 BSS 2RS NSF H1	FL 204 SS
UCFL 205 BSS 2RS NSF H1	UC 205 BSS 2RS NSF H1	FL 205 SS
UCFL 206 BSS 2RS NSF H1	UC 206 BSS 2RS NSF H1	FL 206 SS
UCFL 207 BSS 2RS NSF H1	UC 207 BSS 2RS NSF H1	FL 207 SS
UCFL 208 BSS 2RS NSF H1	UC 208 BSS 2RS NSF H1	FL 208 SS
UCFL 209 BSS 2RS NSF H1	UC 209 BSS 2RS NSF H1	FL 209 SS
UCFL 210 BSS 2RS NSF H1	UC 210 BSS 2RS NSF H1	FL 210 SS
UCFL 211 BSS 2RS NSF H1	UC 211 BSS 2RS NSF H1	FL 211 SS
UCFL 212 BSS 2RS NSF H1	UC 212 BSS 2RS NSF H1	FL 212 SS

OPERATING RANGE is the correct technical range in which can be used the bearing with good operating result.

ECONOMIC OPERATING RANGE is the range of temperature in which you can find, according to our study experience and know-how, the better relation price - quality life-time.

BSS 2RS NSF H1 (UCP Serie)

Pillow Block in Stainless Steel



* Dimensions available at PILLOW BLOCK HOUSINGS Pages

OPERATING RANGE: -20° / 100°C

ECONOMIC OPERATING RANGE: -20° / 100°C

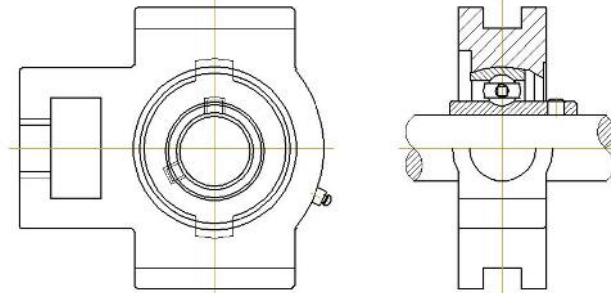
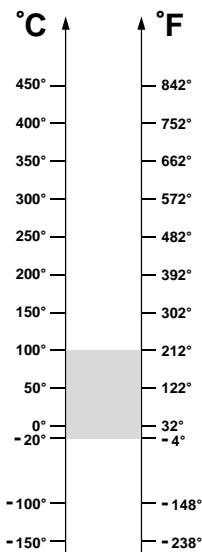
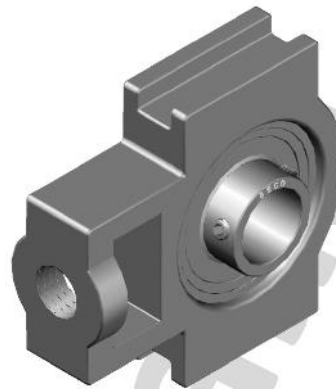
Unit code	Bearing code	Housing code
UCP 201 BSS 2RS NSF H1	UC 201 BSS 2RS NSF H1	P 204 SS
UCP 202 BSS 2RS NSF H1	UC 202 BSS 2RS NSF H1	P 204 SS
UCP 203 BSS 2RS NSF H1	UC 203 BSS 2RS NSF H1	P 204 SS
UCP 204 BSS 2RS NSF H1	UC 204 BSS 2RS NSF H1	P 204 SS
UCP 205 BSS 2RS NSF H1	UC 205 BSS 2RS NSF H1	P 205 SS
UCP 206 BSS 2RS NSF H1	UC 206 BSS 2RS NSF H1	P 206 SS
UCP 207 BSS 2RS NSF H1	UC 207 BSS 2RS NSF H1	P 207 SS
UCP 208 BSS 2RS NSF H1	UC 208 BSS 2RS NSF H1	P 208 SS
UCP 209 BSS 2RS NSF H1	UC 209 BSS 2RS NSF H1	P 209 SS
UCP 210 BSS 2RS NSF H1	UC 210 BSS 2RS NSF H1	P 210 SS
UCP 211 BSS 2RS NSF H1	UC 211 BSS 2RS NSF H1	P 211 SS
UCP 212 BSS 2RS NSF H1	UC 212 BSS 2RS NSF H1	P 212 SS
UCP 213 BSS 2RS NSF H1	UC 213 BSS 2RS NSF H1	P 213 SS
UCP 214 BSS 2RS NSF H1	UC 214 BSS 2RS NSF H1	P 214 SS
UCP 215 BSS 2RS NSF H1	UC 215 BSS 2RS NSF H1	P 215 SS

OPERATING RANGE is the correct technical range in which can be used the bearing with good operating result.

ECONOMIC OPERATING RANGE is the range of temperature in which you can find, according to our study experience and know-how, the better relation price - quality life-time.

BSS 2RS NSF H1 (UCT Serie)

Pillow Block in Stainless Steel



* Dimensions available at PILLOW BLOCK HOUSINGS Pages

OPERATING RANGE: -20° / 100°C

ECONOMIC OPERATING RANGE: -20° / 100°C

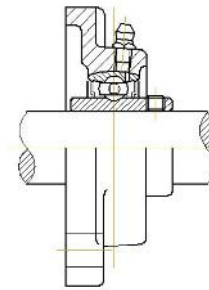
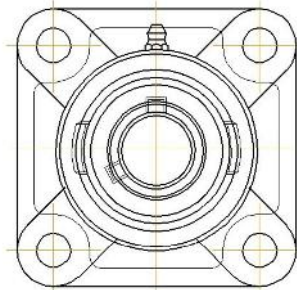
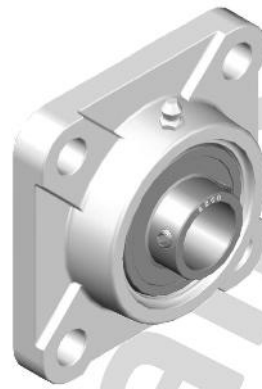
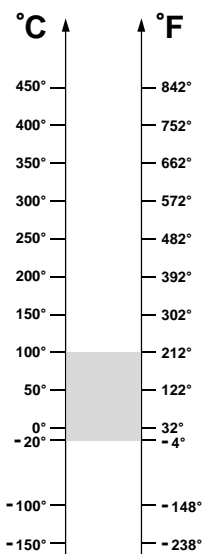
Unit code	Bearing code	Housing code
UCT 201 BSS 2RS NSF H1	UC 201 BSS 2RS NSF H1	T 204 SS
UCT 202 BSS 2RS NSF H1	UC 202 BSS 2RS NSF H1	T 204 SS
UCT 203 BSS 2RS NSF H1	UC 203 BSS 2RS NSF H1	T 204 SS
UCT 204 BSS 2RS NSF H1	UC 204 BSS 2RS NSF H1	T 204 SS
UCT 205 BSS 2RS NSF H1	UC 205 BSS 2RS NSF H1	T 205 SS
UCT 206 BSS 2RS NSF H1	UC 206 BSS 2RS NSF H1	T 206 SS
UCT 207 BSS 2RS NSF H1	UC 207 BSS 2RS NSF H1	T 207 SS
UCT 208 BSS 2RS NSF H1	UC 208 BSS 2RS NSF H1	T 208 SS
UCT 209 BSS 2RS NSF H1	UC 209 BSS 2RS NSF H1	T 209 SS
UCT 210 BSS 2RS NSF H1	UC 210 BSS 2RS NSF H1	T 210 SS
UCT 211 BSS 2RS NSF H1	UC 211 BSS 2RS NSF H1	T 211 SS
UCT 212 BSS 2RS NSF H1	UC 212 BSS 2RS NSF H1	T 212 SS

OPERATING RANGE is the correct technical range in which can be used the bearing with good operating result.

ECONOMIC OPERATING RANGE is the range of temperature in which you can find, according to our study experience and know-how, the better relation price - quality life-time.

BSS 2RS NSF H1 (UCF PL Serie)

Pillow Block in Plastic with SS Bearing



* Dimensions available at PILLOW BLOCK HOUSINGS Pages

OPERATING RANGE: -20° / 100°C

ECONOMIC OPERATING RANGE: -20° / 80°C

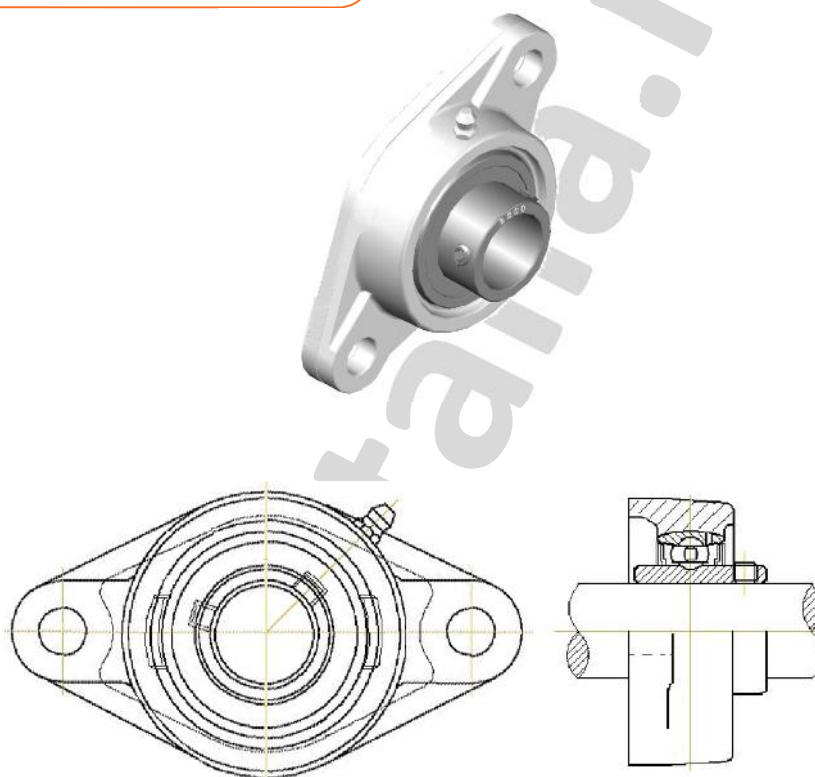
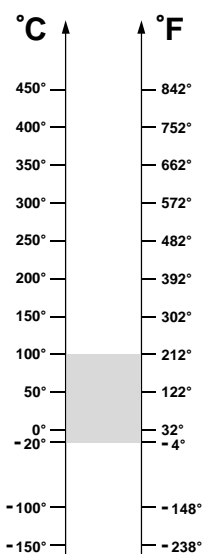
Unit code	Bearing code	Housing code
UCF PL 201 BSS 2RS NSF H1	UC 201 BSS 2RS NSF H1	PLASTIC HOUSING F PL 204
UCF PL 202 BSS 2RS NSF H1	UC 202 BSS 2RS NSF H1	PLASTIC HOUSING F PL 204
UCF PL 203 BSS 2RS NSF H1	UC 203 BSS 2RS NSF H1	PLASTIC HOUSING F PL 204
UCF PL 204 BSS 2RS NSF H1	UC 204 BSS 2RS NSF H1	PLASTIC HOUSING F PL 204
UCF PL 205 BSS 2RS NSF H1	UC 205 BSS 2RS NSF H1	PLASTIC HOUSING F PL 205
UCF PL 206 BSS 2RS NSF H1	UC 206 BSS 2RS NSF H1	PLASTIC HOUSING F PL 206
UCF PL 207 BSS 2RS NSF H1	UC 207 BSS 2RS NSF H1	PLASTIC HOUSING F PL 207
UCF PL 208 BSS 2RS NSF H1	UC 208 BSS 2RS NSF H1	PLASTIC HOUSING F PL 208
UCF PL 209 BSS 2RS NSF H1	UC 209 BSS 2RS NSF H1	PLASTIC HOUSING F PL 209
UCF PL 210 BSS 2RS NSF H1	UC 210 BSS 2RS NSF H1	PLASTIC HOUSING F PL 210
UCF PL 211 BSS 2RS NSF H1	UC 211 BSS 2RS NSF H1	PLASTIC HOUSING F PL 211
UCF PL 212 BSS 2RS NSF H1	UC 212 BSS 2RS NSF H1	PLASTIC HOUSING F PL 212

OPERATING RANGE is the correct technical range in which can be used the bearing with good operating result.

ECONOMIC OPERATING RANGE is the range of temperature in which you can find, according to our study experience and know-how, the better relation price - quality life-time.

BSS 2RS NSF H1 (UCFL PL Serie)

Pillow Block in Plastic with SS Bearing



* Dimensions available at PILLOW BLOCK HOUSINGS Pages

OPERATING RANGE: -20° / 100°C

ECONOMIC OPERATING RANGE: -20° / 80°C

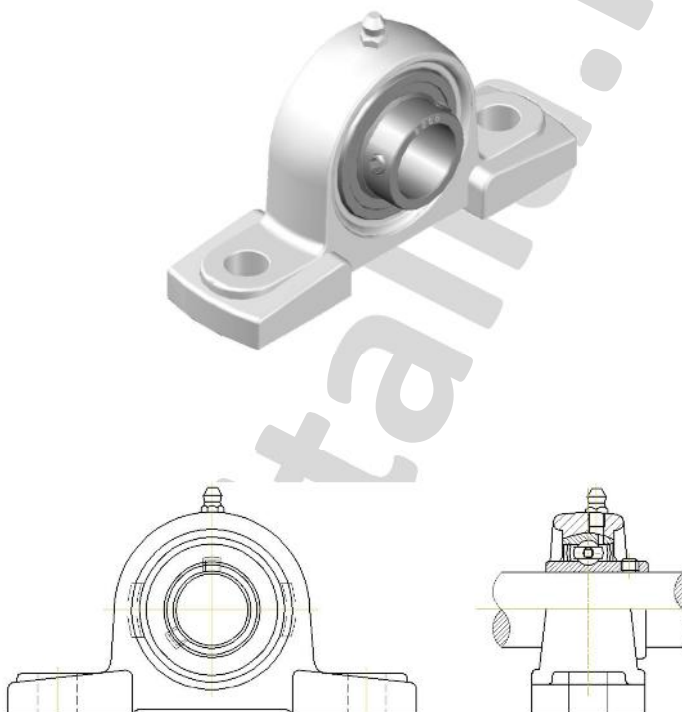
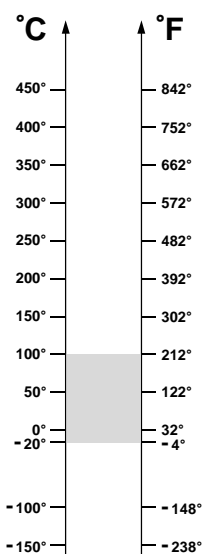
Unit code	Bearing code	Housing code
UCFL PL 201 BSS 2RS NSF H1	UC 201 BSS 2RS NSF H1	PLASTIC HOUSING FL PL 204
UCFL PL 202 BSS 2RS NSF H1	UC 202 BSS 2RS NSF H1	PLASTIC HOUSING FL PL 204
UCFL PL 203 BSS 2RS NSF H1	UC 203 BSS 2RS NSF H1	PLASTIC HOUSING FL PL 204
UCFL PL 204 BSS 2RS NSF H1	UC 204 BSS 2RS NSF H1	PLASTIC HOUSING FL PL 204
UCFL PL 205 BSS 2RS NSF H1	UC 205 BSS 2RS NSF H1	PLASTIC HOUSING FL PL 205
UCFL PL 206 BSS 2RS NSF H1	UC 206 BSS 2RS NSF H1	PLASTIC HOUSING FL PL 206
UCFL PL 207 BSS 2RS NSF H1	UC 207 BSS 2RS NSF H1	PLASTIC HOUSING FL PL 207
UCFL PL 208 BSS 2RS NSF H1	UC 208 BSS 2RS NSF H1	PLASTIC HOUSING FL PL 208
UCFL PL 209 BSS 2RS NSF H1	UC 209 BSS 2RS NSF H1	PLASTIC HOUSING FL PL 209
UCFL PL 210 BSS 2RS NSF H1	UC 210 BSS 2RS NSF H1	PLASTIC HOUSING FL PL 210
UCFL PL 211 BSS 2RS NSF H1	UC 211 BSS 2RS NSF H1	PLASTIC HOUSING FL PL 211
UCFL PL 212 BSS 2RS NSF H1	UC 212 BSS 2RS NSF H1	PLASTIC HOUSING FL PL 212

OPERATING RANGE is the correct technical range in which can be used the bearing with good operating result.

ECONOMIC OPERATING RANGE is the range of temperature in which you can find, according to our study experience and know-how, the better relation price - quality life-time.

BSS 2RS NSF H1 (UCP PL Serie)

Pillow Block in Plastic with SS Bearing



* Dimensions available at PILLOW BLOCK HOUSINGS Pages

OPERATING RANGE: -20° / 100°C

ECONOMIC OPERATING RANGE: -20° / 80°C

Unit code	Bearing code	Housing code
UCP PL 201 BSS 2RS NSF H1	UC 201 BSS 2RS NSF H1	PLASTIC HOUSING P PL 204
UCP PL 202 BSS 2RS NSF H1	UC 202 BSS 2RS NSF H1	PLASTIC HOUSING P PL 204
UCP PL 203 BSS 2RS NSF H1	UC 203 BSS 2RS NSF H1	PLASTIC HOUSING P PL 204
UCP PL 204 BSS 2RS NSF H1	UC 204 BSS 2RS NSF H1	PLASTIC HOUSING P PL 204
UCP PL 205 BSS 2RS NSF H1	UC 205 BSS 2RS NSF H1	PLASTIC HOUSING P PL 205
UCP PL 206 BSS 2RS NSF H1	UC 206 BSS 2RS NSF H1	PLASTIC HOUSING P PL 206
UCP PL 207 BSS 2RS NSF H1	UC 207 BSS 2RS NSF H1	PLASTIC HOUSING P PL 207
UCP PL 208 BSS 2RS NSF H1	UC 208 BSS 2RS NSF H1	PLASTIC HOUSING P PL 208
UCP PL 209 BSS 2RS NSF H1	UC 209 BSS 2RS NSF H1	PLASTIC HOUSING P PL 209
UCP PL 210 BSS 2RS NSF H1	UC 210 BSS 2RS NSF H1	PLASTIC HOUSING P PL 210
UCP PL 211 BSS 2RS NSF H1	UC 211 BSS 2RS NSF H1	PLASTIC HOUSING P PL 211
UCP PL 212 BSS 2RS NSF H1	UC 212 BSS 2RS NSF H1	PLASTIC HOUSING P PL 212

OPERATING RANGE is the correct technical range in which can be used the bearing with good operating result.

ECONOMIC OPERATING RANGE is the range of temperature in which you can find, according to our study experience and know-how, the better relation price - quality life-time.



BSS ZZ

Ball Bearings in Stainless Steel (magnetic)

The BSS ZZ bearings are made of hardened stainless steel for all the rotational parts and AISI 304 for the protection and the cage. The construction in tempered stainless steel provides excellent results in applications mildly aggressive and is not recommended for use in the presence of acids, salts, sea water, etc. The BSS ZZ bearings are successful in many applications especially in the presence of weather conditions, making them an excellent solution to manufacture sliding glass doors for outside. The use of ZZ protection and suitable grease allow for their direct use in applications without additional protection.

Technical characteristics:

Bearing material: tempered stainless steel
Standard Radial Clearance
Stainless Steel shields type ZZ
Lubricated with suitable grease (-30°C to +130°C)

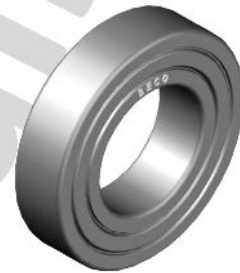
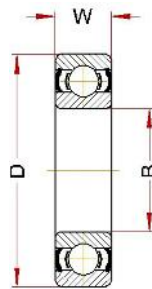
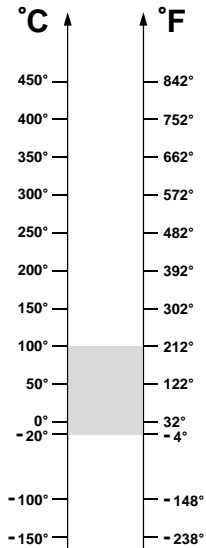
Fields of application:

Air conveyors for food processing plants
Construction industry, windows, sliding windows, etc.



BSS ZZ (6000 Serie)

Ball Bearings in Stainless Steel (magnetic)



OPERATING RANGE: -20° / 100°C

ECONOMIC OPERATING RANGE: -20° / 100°C

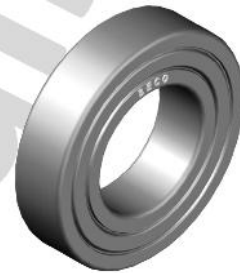
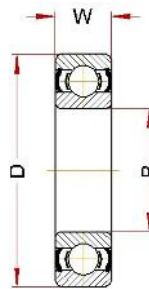
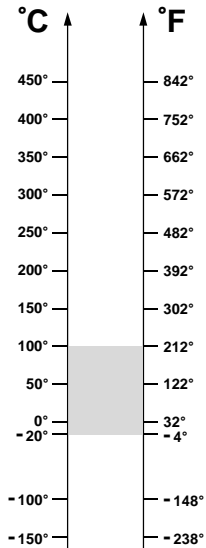
Designation	Bore (B)	Diam (D)	Width (W)	Weight, g	Limiting Speed, RPM	Static Load, kN at 100°C	Static Load, kN at 20°C
6000 BSS ZZ	10	26	8	20	19720	1,57	1,57
6001 BSS ZZ	12	28	8	25	16640	1,89	1,89
6002 BSS ZZ	15	32	9	30	15360	2,28	2,28
6003 BSS ZZ	17	35	10	40	14080	2,60	2,60
6004 BSS ZZ	20	42	12	69	12800	4,00	4,00
6005 BSS ZZ	25	47	12	80	10880	4,68	4,68
6006 BSS ZZ	30	55	13	120	8320	6,40	6,40
6007 BSS ZZ	35	62	14	160	7040	8,32	8,32
6008 BSS ZZ	40	68	15	190	6400	9,44	9,44
6009 BSS ZZ	45	75	16	250	5760	11,4	11,4
6010 BSS ZZ	50	80	16	260	5440	12,4	12,4
6011 BSS ZZ	55	90	18	390	4800	16,9	16,9
6012 BSS ZZ	60	95	18	420	4480	18,5	18,5
6013 BSS ZZ	65	100	18	440	4032	20,0	20,0
6014 BSS ZZ	70	110	20	600	3840	25,2	25,2
6015 BSS ZZ	75	115	20	640	3584	27,2	27,2

OPERATING RANGE is the correct technical range in which can be used the bearing with good operating result.

ECONOMIC OPERATING RANGE is the range of temperature in which you can find, according to our study experience and know-how, the better relation price - quality life-time.

BSS ZZ (6200 Serie)

Ball Bearings in Stainless Steel (magnetic)



OPERATING RANGE: -20° / 100°C

ECONOMIC OPERATING RANGE: -20° / 100°C

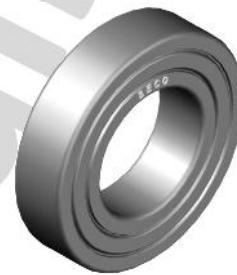
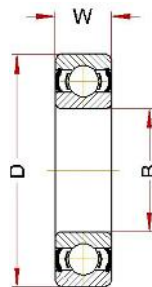
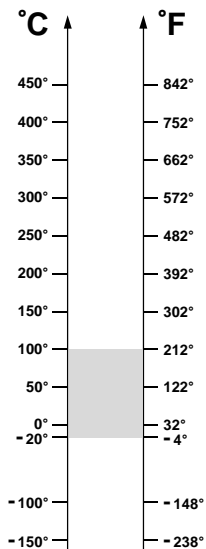
Designation	Bore (B)	Diam (D)	Width (W)	Weight, g	Limiting Speed, RPM	Static Load, kN at 100°C	Static Load, kN at 20°C
6200 BSS ZZ	10	30	9	30	16640	2,08	2,08
6201 BSS ZZ	12	32	10	37	15360	2,48	2,48
6202 BSS ZZ	15	35	11	45	12800	3,00	3,00
6203 BSS ZZ	17	40	12	65	11520	3,80	3,80
6204 BSS ZZ	20	47	14	110	10240	5,24	5,24
6205 BSS ZZ	25	52	15	130	8960	6,40	6,40
6206 BSS ZZ	30	62	16	200	7040	8,96	8,96
6207 BSS ZZ	35	72	17	290	6080	12,24	12,24
6208 BSS ZZ	40	80	18	370	5440	14,40	14,40
6209 BSS ZZ	45	85	19	410	5120	16,32	16,32
6210 BSS ZZ	50	90	20	460	4800	19,20	19,20
6211 BSS ZZ	55	100	21	610	4288	23,20	23,20
6212 BSS ZZ	60	110	22	780	3840	28,80	28,80
6213 BSS ZZ	65	120	23	990	3392	33,20	33,20
6214 BSS ZZ	70	125	24	1040	3200	35,20	35,20
6215 BSS ZZ	75	130	25	1210	3072	39,20	39,20

OPERATING RANGE is the correct technical range in which can be used the bearing with good operating result.

ECONOMIC OPERATING RANGE is the range of temperature in which you can find, according to our study experience and know-how, the better relation price - quality life-time.

BSS ZZ (6300 Serie)

Ball Bearings in Stainless Steel (magnetic)



OPERATING RANGE: -20° / 100°C

ECONOMIC OPERATING RANGE: -20° / 100°C

Designation	Bore (B)	Diam (D)	Width (W)	Weight, g	Limiting Speed, RPM	Static Load, kN at 100°C	Static Load, kN at 20°C
6300 BSS ZZ	10	35	11	52	14080	2,76	2,76
6301 BSS ZZ	12	37	12	60	12800	3,32	3,32
6302 BSS ZZ	15	42	13	80	11520	4,32	4,32
6303 BSS ZZ	17	47	14	120	10240	5,54	5,54
6304 BSS ZZ	20	52	15	140	8960	6,80	6,80
6305 BSS ZZ	25	62	17	225	7040	9,12	9,12
6306 BSS ZZ	30	72	19	350	6080	13,0	13,0
6307 BSS ZZ	35	80	21	450	5440	15,2	15,2
6308 BSS ZZ	40	90	23	620	4800	20,0	20,0
6309 BSS ZZ	45	100	25	830	4288	25,6	25,6
6310 BSS ZZ	50	110	27	1050	3840	30,4	30,4
6311 BSS ZZ	55	120	29	1350	3392	38,0	38,0
6312 BSS ZZ	60	130	31	1700	3200	41,6	41,6
6313 BSS ZZ	65	140	33	2100	2880	48,0	48,0
6314 BSS ZZ	70	150	35	2500	2752	56,2	56,2
6315 BSS ZZ	75	160	37	3000	2560	61,2	61,2

OPERATING RANGE is the correct technical range in which can be used the bearing with good operating result.

ECONOMIC OPERATING RANGE is the range of temperature in which you can find, according to our study experience and know-how, the better relation price - quality life-time.



BTC

Oven Bearings For Ceramic Industry

BTC bearings are engineered for ceramic oven with roller system. The bearings work outside of the oven at usual temperature of +20°/+80°C. For this application usually do not need high temperature bearings, but due to the characteristics of the ovens sometimes there is a need to change the ceramic rollers inside the ovens without stopping the production. During this operation the ceramic rollers should be taken out of the oven with working temperature of around 800°C. During this operation the ceramic rollers temperature go down till the temperature of the local environment, but before that the temperature passes to the bearing. That can get temporary heating till 300° - 350°C.

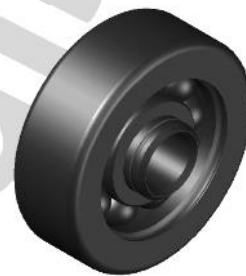
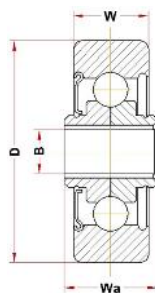
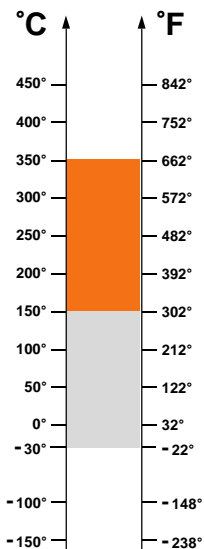
BTC bearing is engineered for accepting this kind of stress. The bearings are only turned and grinded, because the speed is lower than 60 RPM and are full complements of balls in order to avoid the risk of damage the cage in the operation previously described.

For these bearings there is no standard production, because every Oven Manufacturer operate with different sizes. In our catalogue you can find the spare parts for the main European manufacturers.

BTC bearings are produced in open version with one Z for the company that chose the solution of additional oil dropping and cleaning. BTC bearings are also produced in ZZ version, greased with cupper grease for the companies that chose the solution of free maintenance.

BTC

Oven Bearings For Ceramic Industry



OPERATING RANGE: -30° / 150°C

ECONOMIC OPERATING RANGE: -30° / 150°C

SHORT-TIME OPERATING RANGE: 150° / 350°C

Designation	Bore (B)	Diam (D)	Width (W)	Width (Wa)	Weight, g	Limiting Speed, RPM
BTC 40 B8	8	40	17	21	102	100
BTC 42 B8	8	42	17	21	119	100
BTC 47 B8	8	47	17	21	166	100
BTC 50 B8	8	50	17	21	196	100
BTC 58 B8	8	58	17	21	286	100
BTC 66 B8	8	66	17	21	341	100
BTC 42 B10	10	42	15	18	115	100
BTC 45 B10	10	45	15	18	130	100
BTC 50 B10	10	50	17	21	191	100
BTC 52 B10	10	52	20	23	279	100
BTC 58 B10	10	58	17	21	282	100

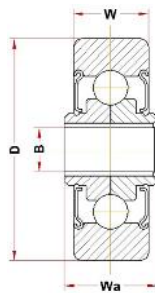
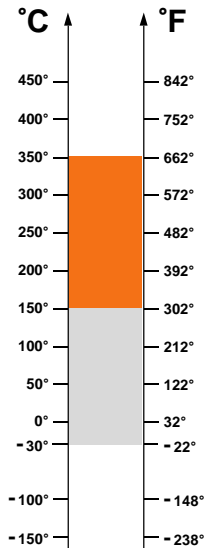
OPERATING RANGE is the correct technical range in which can be used the bearing with good operating result.

ECONOMIC OPERATING RANGE is the range of temperature in which you can find, according to our study experience and know-how, the better relation price - quality life-time.

SHORT-TIME OPERATING RANGE is the range in which the bearing can be used for few minutes but not for permanent use.

BTC ZZ CPG

Oven Bearings For Ceramic Industry



OPERATING RANGE: -30° / 150°C

ECONOMIC OPERATING RANGE: -30° / 150°C

SHORT-TIME OPERATING RANGE: 150° / 350°C

Designation	Bore (B)	Diam (D)	Width (W)	Width (Wa)	Weight, g	Limiting Speed, RPM
BTC 40 B8 ZZ CPG	8	40	17	21	108	100
BTC 42 B8 ZZ CPG	8	42	17	21	125	100
BTC 47 B8 ZZ CPG	8	47	17	21	172	100
BTC 50 B8 ZZ CPG	8	50	17	21	202	100
BTC 58 B8 ZZ CPG	8	58	17	21	292	100
BTC 66 B8 ZZ CPG	8	66	17	21	347	100
BTC 42 B10 ZZ CPG	10	42	15	18	121	100
BTC 45 B10 ZZ CPG	10	45	15	18	136	100
BTC 50 B10 ZZ CPG	10	50	17	21	197	100
BTC 52 B10 ZZ CPG	10	52	20	23	285	100
BTC 58 B10 ZZ CPG	10	58	17	21	288	100

OPERATING RANGE is the correct technical range in which can be used the bearing with good operating result.

ECONOMIC OPERATING RANGE is the range of temperature in which you can find, according to our study experience and know-how, the better relation price - quality life-time.

SHORT-TIME OPERATING RANGE is the range in which the bearing can be used for few minutes but not for permanent use.



Industrial and Automotive Components

In the following pages we briefly present BECO production and industrial sectors for which specific catalogues are available.

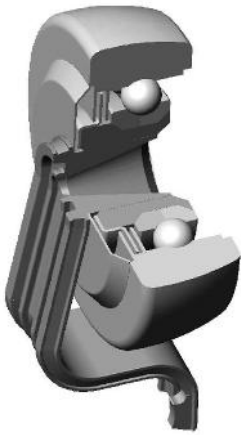
The current BECO production of components is directed to the following areas:

1. Internal Handling: Bearings for internal conveyors, conveyor chains.
2. Internal Handling: Wheel and castors for high temperature.
3. Hydraulics: Joints, customized rod ends, mechanical parts customized.
4. Handling Vehicles: Bearings for Truck Lifts.
5. Agricultural machinery: Bearings and groups for disk harrows, triple lip bearings for heavy applications, forged hubs, replacement parts for combine harvesters, joints, rod ends, customized mechanical parts.
6. Trucks: clutch bearings, transmission bearings, spare parts for gear box and axles, bronze bushes, hundreds of small parts for spare kits, a total of about 1,000 product references.

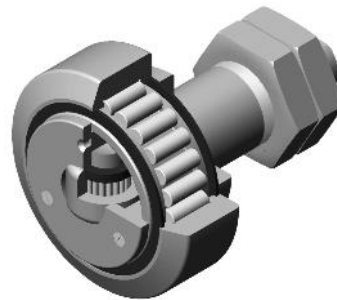


Spare Parts Bearings for Conveyors

**Catalogue
BECO FORKLIFT 2016**



Bearings for air conveyors with or without pillow upon customer design, diameters from 40 mm to 100 mm.



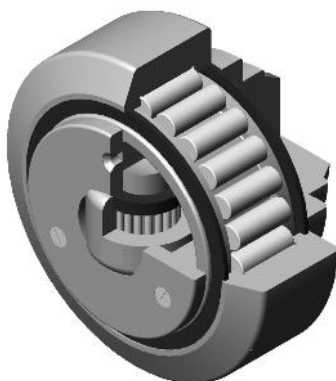
Combined bearings with shaft for "C" profiles.



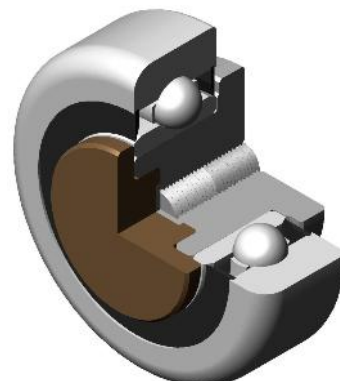
Combined bearings for "C" profiles.



Roller bearings for "C" profiles.



Combined bearings with adjustable precision for milled "C" profiles.



Ball bearings for "C" profiles with lateral support in nylon.

Spare Parts Bearings for Forklift

**Catalogue
BECO FORKLIFT 2016**



Spare part bearings suitable for truck lift "NISSAN", "CATERPILLAR", "CLARK"



Spare part bearings suitable for truck lift "JUNGHEINRICH"



Spare part bearings suitable for truck lift "ELECAR"



Spare part bearings suitable for truck lift "LINDE"



Spare part bearings suitable for truck lift "FIAT-OM"



Spare part bearings suitable for truck lift "PGS-LTE"

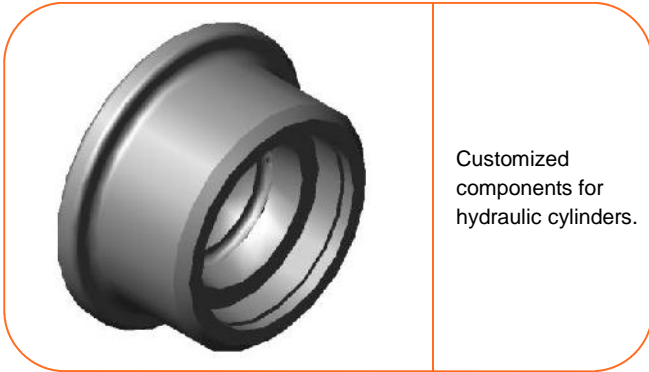


Spare part bearings suitable for truck lift "HYSTER"

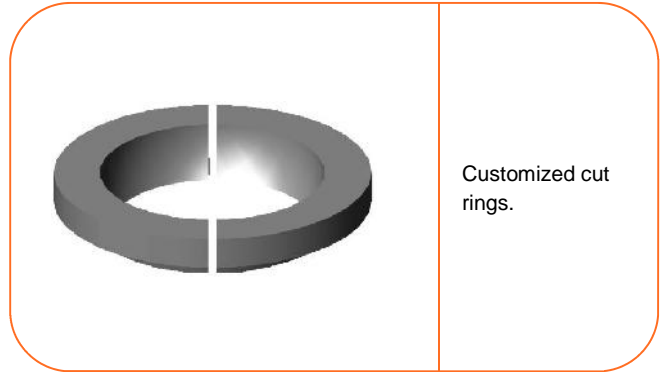


Spare part bearings suitable for truck lift "STILL"

Customized Rod ends and parts for hydraulic cylinders



Customized components for hydraulic cylinders.



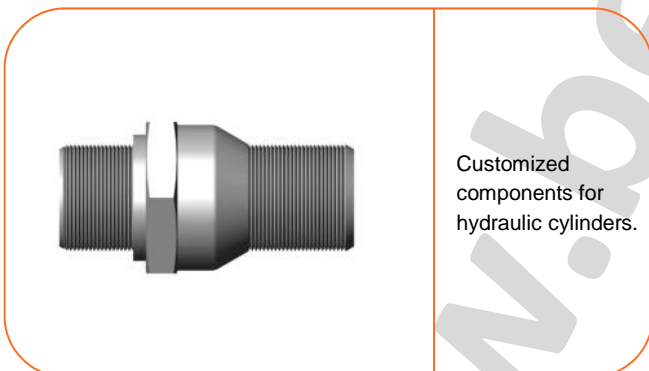
Customized cut rings.



Customized components for cylinder heads.



Components for cylinder bodies.



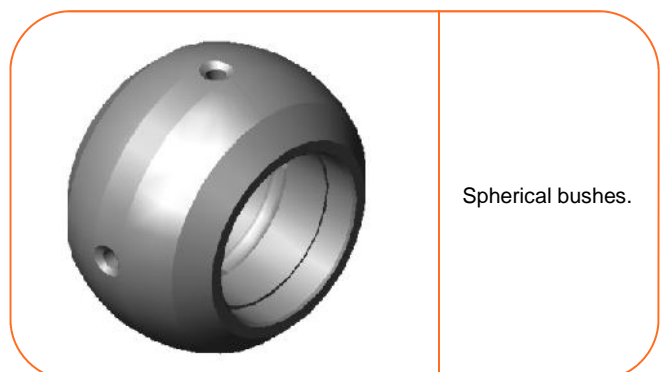
Customized components for hydraulic cylinders.



Customized rod ends.



Rod ends for special applications in stainless steel.



Spherical bushes.

Spherical Plain Bearings & Rod Ends

Catalogue
JOINTS ROD ENDS 2016



Joint
BE..DO 2RS
Steel/Steel



Joint
SS BJ..U
Stainless Steel/PTFE



Joint
BJ..XA
Steel/Steel



Rod end
EXTA..DO,
EXTA..DO 2RS
Steel/Steel

made up of a radial spherical plain bearing BE..DO or BE..DO 2RS, and rod body with weldable base and dowel pin.



Rod ends
EXHI..DO (2RS),
EXHE..DO (2RS)
Steel/Steel

made up of a radial spherical plain bearing BE..DO or BE..DO 2RS and rod body, with right or Left-hand & male or female thread.



Rod ends
SS EXTI..VW ,
SS EXTE..VW
Stainless Steel/PTFE

made up of a maintenance free radial spherical plain bearing and rod body, with right or Left-hand & male or female thread.



Rod ends
EXPI..VW,
EXPE..VW
Steel/Bronze

Outer ring with bronze liner, with lubricating hole or nipple, with right or Left-hand & male or female thread.



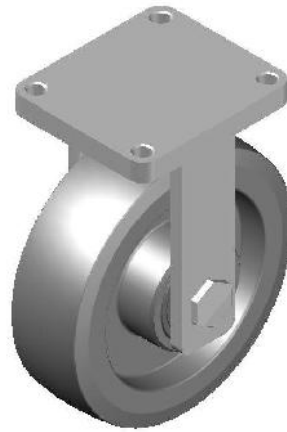
Rod ends
EXZI..PV,
EXZE..PV
Steel/Teflon

Maintenance free, with molded Nylon/Teflon/Fiberglass compound insert, right or Left-hand & male or female thread.

Wheels and castors for high temperature



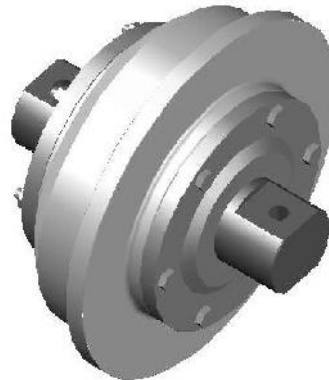
Phenolic wheel
assembly with
high temperature
bearings
BHTS ZZ 280°C
BECO



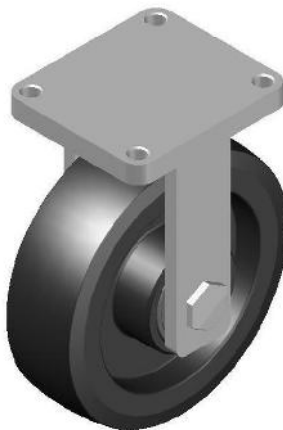
Castor iron wheel
assembly with high
temperature
bearings
BHTS ZZ 280°C
BECO
white zinc plated



Steel wheel
assembly with
high temperature
bearings
BHTS ZZ GR CG
350°C

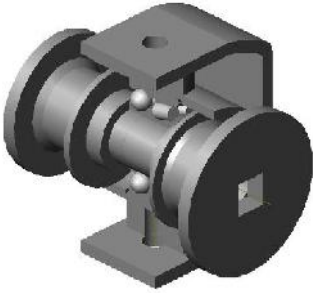


Wheel for kiln
assembly with
high temperature
bearing
BHTS ZZ 280°C

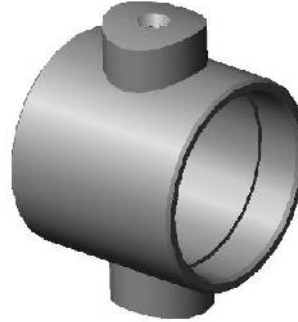


Fixed castor wheel
assembly with high
temperature
bearings
BHTS ZZ 280°C

Bearings and units for agricultural machines



Unit for disc harrow.



Customized mechanical components.



Bearing for disc harrow with long inner ring.



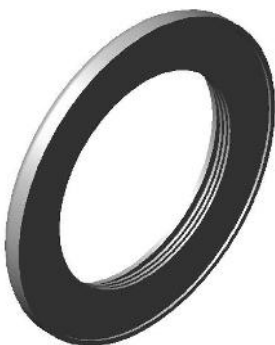
Unit for disc harrow with three lip seals.



Pillow /Bearing with three lips special seals.



Special bearing for disc harrow.



Seals with three lips.



Customized mechanical components.



NOTES

www.becoitalia.it

Copyright: This catalogue and all the photographic images are property of **Beco Italia Srl**, which protects under the Italian and the international law the relative ownership.

This catalogue has been created with great care, however we accept no responsibility regarding any errors or omissions; for any technical information or application, please contact our technical department.





BECCO

12100 Cuneo - Italy - Via Volta, 7

phone: 0039 0171 66883

fax: 0039 0171 648913

www.becoitalia.it