

TECHNOBEARING

TECHNOBEARING.RU

2013

CONTENTS

UNIT 1 - Special Bearings for Conveyor Systems	01 - 07
UNIT 2 - Stud Type and Yoke Type Track Rollers	08 - 38
UNIT 3 - Special Bearings for Steel Profile	39 - 54
UNIT 4 - Chain Guide Rollers and Attachments.....	55 - 55
UNIT 5 - Forklift Bearings.....	56 - 104
UNIT 6 - Axial Cylindrical Roller Bearing	105 - 123

CONTENTS

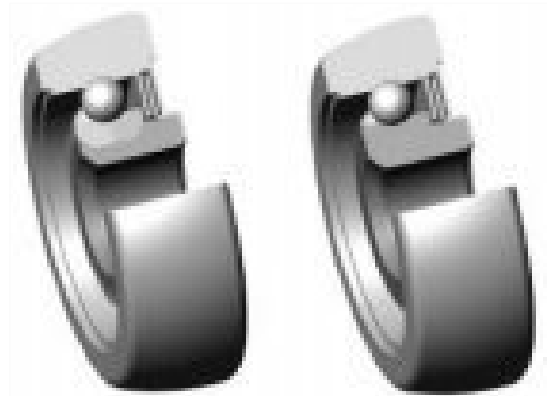
UNIT 1 - Special Bearings for Conveyor Systems

Trolley Wheels	01
Convex Face Trolley Wheels	02
Flat Face Trolley Wheels.....	03
Roller Turn Rollers	04 - 05
Overhead Chains	06
Conveyor Bearings	07

Trolley Wheels

Standard Trolley Wheels

Standard trolley wheels are available with either retainer type trolley wheels or full ball complement trolley wheels.



Full Ball Complement
Trolley Wheel

Retainer Type
Trolley Wheel

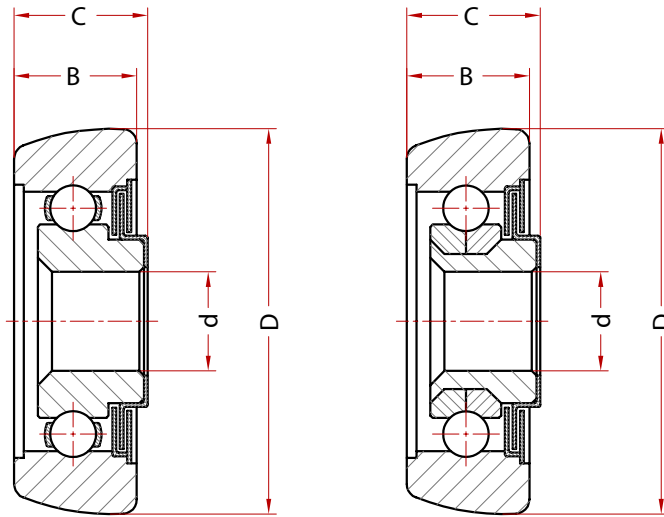


Retainer type wheels have been developed specifically for rugged conveyor applications.

This wheel has the lowest friction and highest load rating possible for a ball bearing of this size and style. Giving longer life and lower maintenance under all conditions. This wheel has a maximum temperature rating of 90°C.

Full ball complement type wheels have about 40% greater load carrying capacity than the Retainer style. This is reflected in longer bearing life. It can be considered the preferred wheel in applications where mechanical components are subject to dirty environment. Maximum temperature rating is 230°C.

Convex Face Trolley Wheels



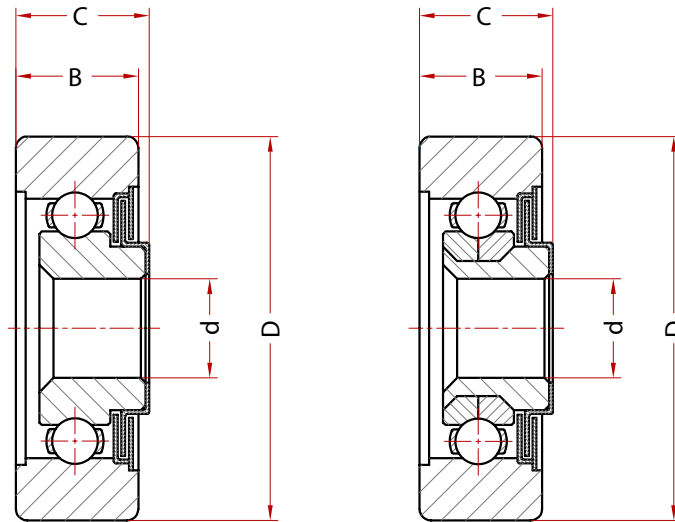
Type
"Retainer"

Type
"Full Complement"

Unit: mm

Code	Dimensions				Weight, kg	Type
	D	d	B	C		
TW 59-9-19-21-R	59.13	9.5	19.2	21.1	0.27	Retainer
TW 59-9-19-21-F C	59.13	9.5	19.2	21.1	0.27	Full Complement
TW 59-12-19-21-FC	59.13	12.7	19.2	21.1	0.27	Full Complement
TW 59-16-19-21-R	59.13	16.9	19.2	21.1	0.26	Retainer
TW 80-12-27-29-R	80	12	27	29.2	0.58	Retainer
TW 80-12-27-29-FC	80	12	27	29.2	0.58	Full Complement
TW 82-12-25-28-R	82.6	12.7	25.5	28.2	0.64	Retainer
TW 82-25-25-28-R	82.6	25.4	25.5	28.2	0.58	Retainer
TW 82-25-25-28-FC	82.6	25.4	25.5	28.2	0.58	Full Complement
TW 125-25-33-37-R	125.4	25.4	33.5	37.5	2.30	Retainer
TW 125-25-33-37-FC	125.4	25.4	33.5	37.5	2.30	Full Complement

Flat Face Trolley Wheels



Type
"Retainer"

Type
"Full Complement"

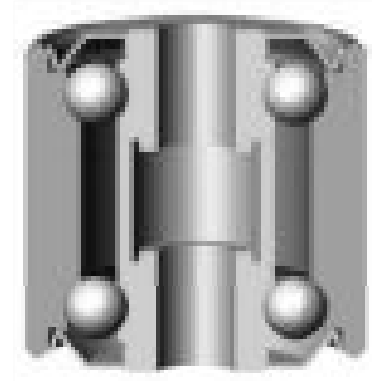
Unit: mm

Code	Dimensions				Weight, kg	Type
	D	d	B	C		
TW 53-12-19-21-F C	53.98	12.7	19.2	21.1	0.27	Full Complement
TW 74-25-25-29-R	74.6	25.4	25.4	29.4	0.48	Retainer
TW 74-25-25-29-F C	74.6	25.4	25.4	29.4	0.48	Full Complement
TW 115-25-32-36-R	115.9	25.4	32.5	36.2	1.90	Retainer

Roller Turn Rollers

Ball Bearing Roller

Ball bearing roller turn rollers have labyrinth seals and are lubricated with grease during manufacture. These rollers can be used with plain bolts or with bolts with grease fittings.

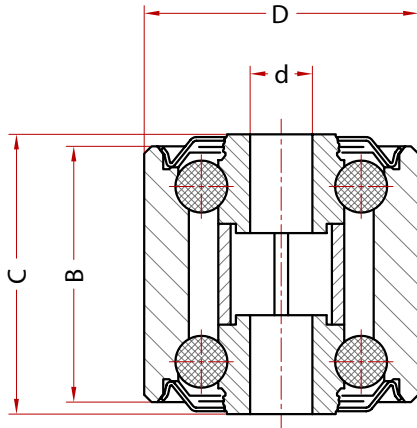


Tapered Roller Bearing Roller

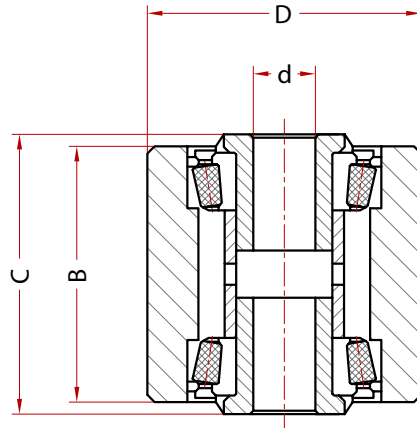
This heavy-duty roller turn roller has precision type tapered roller bearings and full contact grease seals. It is especially designed for heavy duty applications.



Roller Turn Rollers



Type
"Ball Bearing"

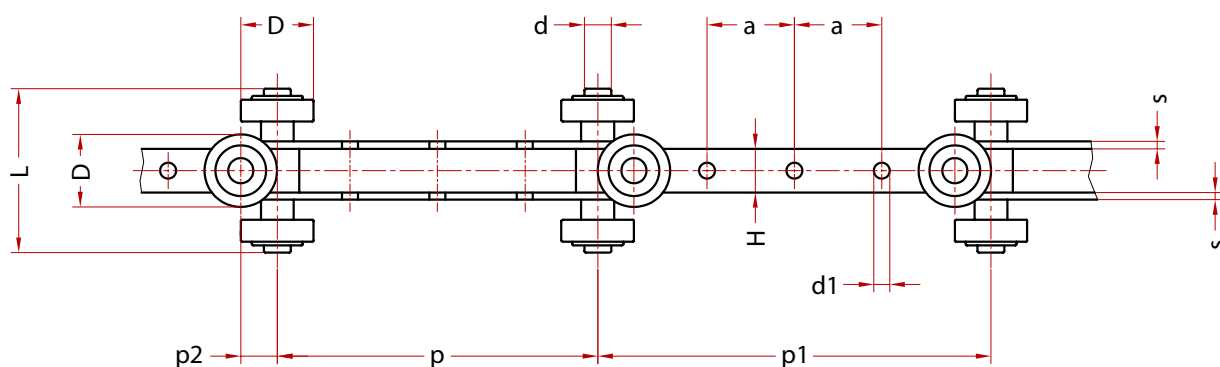


Type
"Tapered Roller Bearing"

Unit: mm

Code	Dimensions				Weight, kg	Type
	D	d	B	C		
RT 69-15-49-55-BB	69.9	15.9	49	55.6	0.75	Ball Bearing
RT 70-16-70-71-TB	70	16	70	71.2	0.8	Tapered Roller Bearing
RT 71-12-65-71-BB	71.4	12.2	65.1	71.4	0.95	Ball Bearing
RT 71-15-65-71-BB	71.4	15.9	65.1	71.4	0.80	Ball Bearing
RT 71-15-65-71-TB	71.4	15.9	65.1	71.4	0.80	Tapered Roller Bearing
RT 71-19-65-71-TB	71.4	19.1	65.1	71.4	0.7	Tapered Roller Bearing
RT 71-12-52-55-8B	71.4	12.2	52	55.5	0.75	Ball Bearing
RT 74-12-72-75-BB	74.6	12.7	72.5	75	1.1	Ball Bearing
RT 76-16-57-70-6B	76	16	67	70	1.1	Ball Bearing

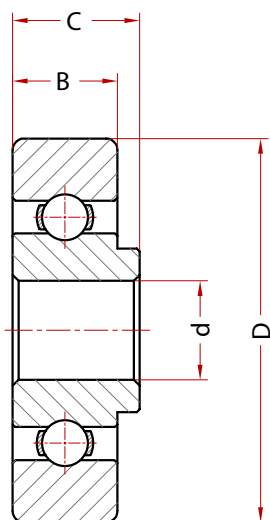
Overhead Chains



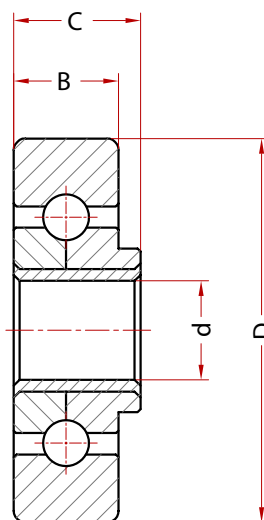
Unit: mm

Code	Dimensions										Limit load kg. max	Load per metre kg. max
	D	p	p1	p2	d	d1	H	L	a	s		
C28 P200 X74	28	160	200	20	9	8.5	20	74	50	3	2.500	30
C30 P200 X74	30	160	200	20	9	8.5	20	74	50	3	2.500	30
C35 P200 X73	35	160	200	20	11	8.5	25	73	50	4	4.600	50
C37 P200 X73	37	160	200	20	11	8.5	25	73	50	4	4.600	50
C37 P200 X83	37	160	200	20	11	8.5	25	83	50	4	4.600	50
C40 P200 X91	40	160	200	20	11	8.5	25	91	50	4	5.000	70
C45 P200 X102	45	160	200	20	14	10.5	30	102	42.5	6	10.000	130
C47 P200 X102	47	160	200	20	14	10.5	30	102	42.5	6	10.000	200

Conveyor Bearings



Type
"Retainer"



Type
"Full Ball Complement"

Unit: mm

Code	Dimensions				Weight, kg	Type
	D	d	B	C		
CB 28-9-10-20-FC	28	9	10	20	0.08	Full Complement
CB 30-9-10-20-FC	30	9	10	20	0.10	Full Complement
CB 35-10-12-15-FC	35	10	12	15	0.12	Full Complement
CB 37-11-11 -21-FC	37	11	11.7	21.8	0.14	Full Complement
CB 40-12-15-19-FC	40	12	15	19.5	0.14	Full Complement
CB 45-12-13-16-R	45	12	13.5	16.7	0.16	Retainer
CB 45-12-13-26-R	45	12	13.5	26.3	0.18	Retainer
CB 45-14-14-31-FC	45	14	14.2	31.3	0.18	Full Complement
CB 47-14-14-31-FC	47	14	14.2	31.3	0.20	Full Complement
CB 48-12-13-16-R	48	12	13.5	16.7	0.18	Retainer
CB 48-12-13-26-R	48	12	13.5	26.3	0.20	Retainer

CONTENTS

UNIT 2 - Stud Type and Yoke Type Track Rollers

Dimensional and geometrical tolerances to DIN 620	09 - 10
Stud Type Track Rollers KR...2RS series.....	11 - 12
Stud Type Track Rollers KRV...2RS series	13 - 14
Stud Type Track Rollers NUKR...ZZ series	15 - 16
Stud Type Track Rollers NUKR...ZZ MA serie	17
Eccentric Collars	18
Yoke Type Track Rollers LR...series	19 - 20
Yoke Type Track Rollers STO...series	21 - 22
Yoke Type Track Rollers NATR...2RS series	23 - 24
Yoke Type Track Rollers NATV...2RS series	25 - 26
Yoke Type Track Rollers NUTR...ZZ series	27 - 29
Yoke Type Track Rollers TPR...ZZ series	30

Dimensional and geometrical tolerances to DIN 620

The dimensional and geometrical tolerances of track rollers are in accordance with tolerance class PN to DIN 620.

The following tolerances deviate from DIN 620:

NATR, NATV, KR, KRV to ISO CD 7 063

the diameter tolerance of the profiled outside surface

0/-0,05 mm

for NATR, NATV, NUTR,

the tolerance of the width „B" h12

for NATR, NATV

the roundness of the inner ring

for stud type track rollers, the tolerance

of the stud diameter h7

of the eccentric collar diameter h9

The radial internal clearance corresponds approximately to class C2

Tolerance symbols and definitions

Dimension symbol	Toleranced characteristic to ISO 1132 / DIN 620	ISO 1101 Designation / symbol
d	Nominal bore diameter	-
Δ_{dmp}	Deviation of mean bore diameter in a single plane	-
V_{dp}	Variation of single bore diameter in a single plane	Roundness 1)
V_{dmp}	Variation of mean bore diameter	Parallelism §§
D	Nominal outside diameter	-
Δ_{Dmp}	Deviation of mean outside diameter in a single plane	-
V_{Dp}	Variation of single outside diameter in a single plane	Roundness 1)
V_{Dmp}	Variation of mean outside diameter	Parallelism §§
Δ_{Bs}	Deviation of a single inner ring width	-
V_{Bs}	Variation of inner ring width	Parallelism §§
Δ_{Cs}	Deviation of a single outer ring width	-
V_{Cs}	Variation of outer ring width	Parallelism §§
K_{ea}	Radial runout of outer ring of assembled bearing	Runout /

1) The roundness to ISO 1101 corresponds to half the tolerance value for the diameter variation in a single plane V_{dp} or V_{Dp} to DIN 620.

Dimensional and geometrical tolerances to DIN 620

Radial internal clearance to DIN 620

Bore d mm		Radial internal clearance									
over	incl.	CN μm		C3 μm		C4 μm		C2 μm			
		min.	max.	min.	max.	min.	max.	min.	max.	min.	max.
-	24	20	45	35	60	50	75	0	25		
24	30	20	45	35	60	50	75	0	25		
30	40	25	50	45	70	60	85	5	30		
40	50	30	60	50	80	70	100	5	35		
50	65	40	70	60	90	80	110	10	40		
65	80	40	75	65	100	90	125	10	45		
80	100	50	85	75	110	105	140	15	50		
100	120	50	90	85	125	125	165	15	55		
120	140	60	105	100	145	145	190	15	60		

Tolerance of inner ring (tolerance values in μm)

d mm		Δdmp Deviation		V_{dp}	$V_{dmp}^{2)}$	ΔB_s Deviation		V_{B_s}
over	incl.	upper	lower	max.	max.	upper	lower	max.
2.5	10	0	-8	6	6	0	-120	15
10	18	0	-8	6	6	0	-120	20
18	30	0	-10	8	8	0	-120	20
30	50	0	-12	9	9	0	-120	20
50	80	0	-15	11	11	0	-150	25
80	120	0	-20	15	15	0	-200	25
120	180	0	-25	19	19	0	-250	30
180	250	0	-30	23	23	0	-300	30

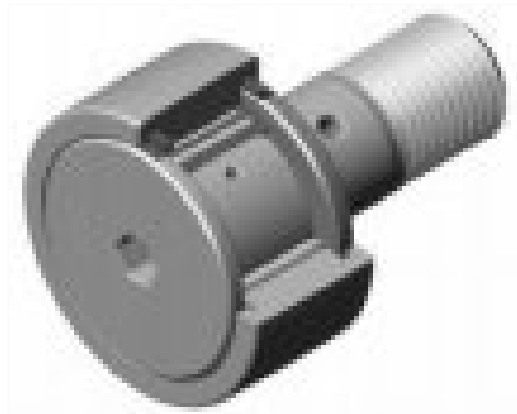
2) Applies before assembly of the bearing

Tolerance of outer ring (tolerance values in μm)

D mm		Δdmp Deviation ³⁾		V_{Dp}	V_{Dmp}	K_{ea} PN max.	P6 max.	P5 max.	ΔC_s	V_{C_s}
over	incl.	upper	lower	max.	max.					
6	18	0	-8	6	6	15	8	5	Identical to ΔB_s and V_{B_s} for the inner ring of the corresponding bearing (see table Tolerance of inner ring)	
18	30	0	-9	7	7	15	9	6		
30	50	0	-11	8	8	20	10	7		
50	80	0	-13	10	10	25	13	8		
80	120	0	-15	11	11	35	18	10		
120	150	0	-18	14	14	40	20	11		
150	180	0	-25	19	19	45	23	13		
180	250	0	-30	23	23	50	25	15		
250	315	0	-35	26	26	50	30	16		
315	400	0	-40	30	30	70	35	20		
400	500	0	-45	34	34	30	40	23		

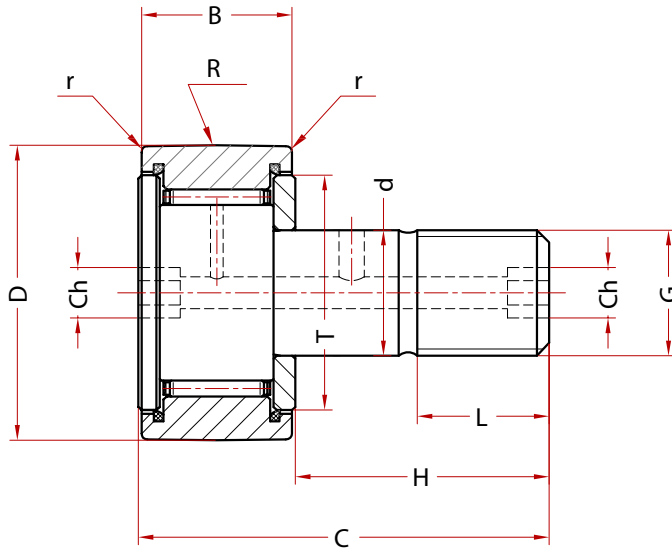
3) Only for cylindrical outside surface. For a crowned outside surface ΔD_{mp} is 0/-50 μm
 (800)700-72-07; sales@technobearing.ru www.technobearing.ru

Stud Type Track Rollers KR...2RS

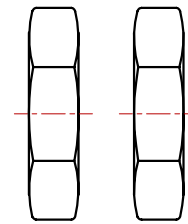


- ☒ are complete units consisting of a machined stud, thrust washer, outer ring and needle roller and cage assembly
- ☒ have a thick-walled outer ring with a crowned outside surface, axially guided by a thrust rib, thrust washer and axial plain washers
- ☒ can support high radial forces
- ☒ are greased with lithium complex soap grease to DIN 51 825-KP2N-25
- ☒ can be relubricated through the stud
- ☒ are protected against contaminants and water spray by plastic axial plain washers
- ☒ are suitable for operating temperatures from -30 °C to +100 °C, limited by the grease and sealing ring material
- ☒ have an outside diameter between 16 mm and 90 mm
- ☒ are easy to fit due to
 - ☒ a thread on the end of the stud
 - ☒ a hexagonal socket or slot

Stud Type Track Rollers KR...2RS



Hexagonal Nuts



Unit: mm

Code	Dimensions											Load Rating Truck Roller		Weight, kg
	D	d	b	r	C	H	G	L	Ch	T	R	Cw KN	Cow KN	
KR 16 2RS	16	6	11	0.15	28	16	M6	8	4	12	500	3.15	3.3	0.018
KR 19 2RS	19	8	11	0.15	32	20	M5	10	4	14	500	3.5	3.9	0.028
KR 22 2RS	22	10	12	0.3	36	23	M10x1	12	5	17	500	4.45	5.2	0.044
KR 26 2RS	26	10	12	0.3	36	23	M10x1	12	5	17	500	5.1	6.2	0.058
KR 30 2RS	30	12	14	0.6	40	25	M12x1.5	13	6	23	500	6.8	8.4	0.087
KR 32 2RS	32	12	14	0.6	40	25	M12x1.5	13	6	23	500	7.1	9	0.098
KR 35 2RS	35	16	18	0.6	52	32.5	M16x1.5	17	8	27	500	9.7	14.1	0.169
KR 40 2RS	40	18	20	1	58	36.5	M18x1.5	19	8	32	500	10.9	15.5	0.247
KR 47 2RS	47	20	24	1	66	40.5	M20x1.5	21	10	37	500	15.5	25.5	0.386
KR 52 2RS	52	20	24	1	66	40.5	M20x1.5	21	10	37	500	16.8	28.5	0.461
KR 62 2RS	62	24	29	1	80	49.5	M24x1.5	25	14	44	500	26.5	47.5	0.790
KR 72 2RS	72	24	29	1.1	80	49.5	M24x1.5	25	14	44	500	28	53	1.040
KR 80 2RS	80	30	35	1.1	100	63	M30x1.5	32	14	53	500	39.5	77	1.550
KR 90 2RS	90	30	35	1.1	100	63	M30x1.5	32	14	53	500	41.5	83	1.950

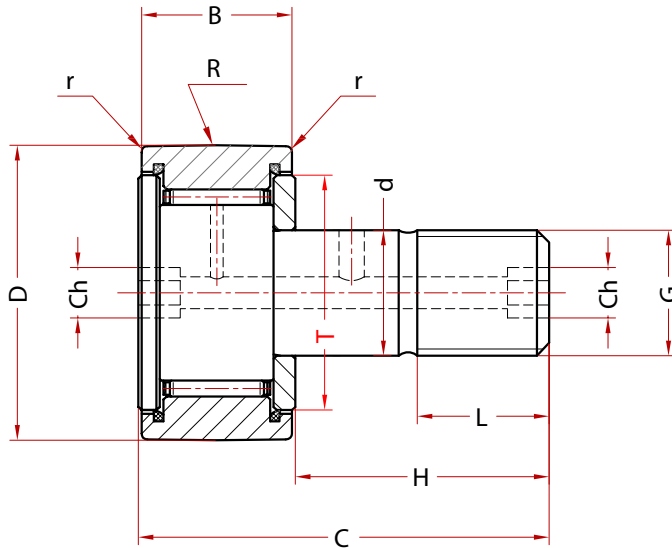
Outer Ring with cylindric surface : X reference (KR 90 x 2RS)

Stud Type Track Rollers KRV...2RS

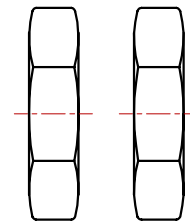


are complete units consisting of a machined stud, thrust washer, outer ring and full complement needle roller set
have a thick-walled outer ring with a crowned outside surface, axially guided by a thrust rib, thrust washer and axial plain washers
can support high radial forces
are greased with lithium complex soap grease to DIN 51 825-KP2N-25
can be relubricated through the stud
are protected against contaminants and water spray by plastic axial plain washers
are suitable for operating temperatures from -30 °C to +100 °C, limited by the grease and sealing ring material
have an outside diameter between 16 mm and 90 mm
are easy to fit due to
 a thread on the end of the stud
 a hexagonal socket or slot

Stud Type Track Rollers KRV...2RS



Hexagonal Nuts



Unit: mm

Code	Dimensions										Load Rating Truck Roller		Weight, kg
	D	d	B	r	C	H	G	L	Ch	R	Cw KN	Cow KN	
KRV 16 2RS	16	6	11	0.15	28	16	M6	8	4	500	4.85	6.5	0.020
KRV 19 2RS	19	8	11	0.15	32	20	M8	10	4	500	5.5	7.9	0.032
KRV 22 2RS	22	10	12	0.3	36	23	M10x1	12	5	500	6.3	9.1	0.045
KRV 26 2RS	26	10	12	0.3	36	23	M10x1	12	5	500	7.3	11.3	0.061
KRV 30 2RS	30	12	14	0.6	40	25	M12x1.5	13	6	500	9.5	14.6	0.089
KRV 32 2RS	32	12	14	0.6	40	25	M12x1.5	13	6	500	10	15.8	0.100
KRV 35 2RS	35	16	18	0.6	52	32.5	M16x1.5	17	8	500	12.8	23	0.171
KRV 40 2RS	40	18	20	1	58	36.5	M18x1.5	19	8	500	14.8	26.5	0.249
KRV 47 2RS	47	20	24	1	66	40.5	M20x1.5	21	10	500	20.6	42	0.390
KRV 52 2RS	52	20	24	1	66	40.5	M20x1.5	21	10	500	22.5	48	0.465
KRV 62 2RS	62	24	29	1	80	49.5	M24x1.5	25	14	500	34	76	0.802
KRV 72 2RS	72	24	29	1.1	80	49.5	M24x1.5	25	14	500	37	85	1.045
KRV 80 2RS	80	30	35	1.1	100	63	M30x1.5	32	14	500	49.5	120	1.561
KRV 90 2RS	90	30	35	1.1	100	63	M30x1.5	32	14	500	53	130	1.970

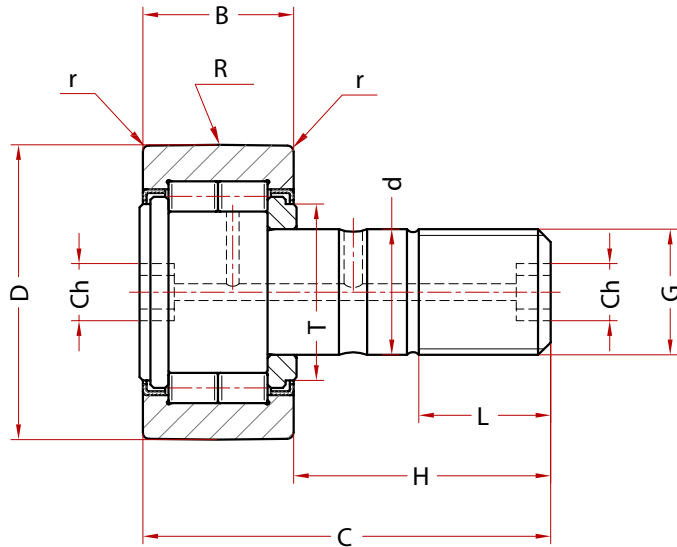
Outer Ring with cylindric surface : X reference (KRV 90 x 2RS)

Stud Type Track Rollers NUKR...ZZ

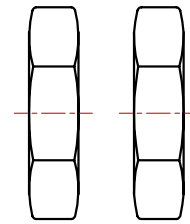


are complete units consisting of a machined stud, thrust washer, outer ring and full complement needle roller set
have a thick-walled outer ring with a crowned outside surface, axially guided by the rolling elements
can support high radial forces
are greased with lithium complex soap grease to DIN 51 825-KP2N-25
can be relubricated through the stud
are protected from contamination by labyrinth seals on both sides
are suitable for operating temperatures from -30 °C to +150 °C, limited by the grease
have an outside diameter between 35 mm and 130 mm
are easy to fit due to
 a thread on the end of the stud
 a hexagonal socket or slot

Stud Type Track Rollers NUKR...ZZ



Hexagonal Nuts

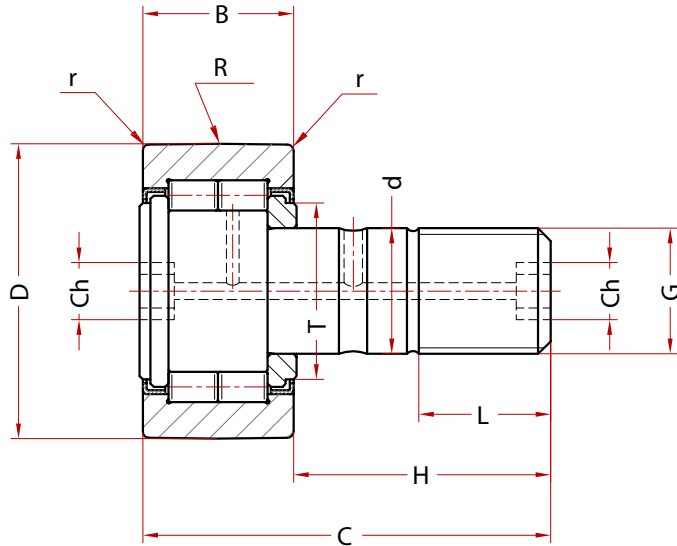


Unit: mm

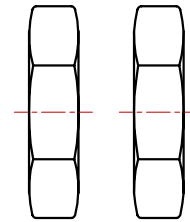
Code	Dimensions											Load Rating Truck Roller		Weight, kg
	D	d	b	r	C	H	G	L	Ch	T	R	Cw KN	Cow KN	
NUKR 35 ZZ	35	16	18	0.8	52	32.5	M16x1.5	17	8	20	500	15	16.8	0.16
NUKR 40 ZZ	40	18	20	0.8	58	36.5	M18x1.5	19	8	22	500	18.4	22.6	0.24
NUKR 47 ZZ	47	20	24	1	66	40.5	M20x1.5	21	10	27	500	28	35	0.39
NUKR 52 ZZ	52	20	24	1	66	40.5	M20x1.5	21	10	31	500	29	37.5	0.46
NUKR 62 ZZ	62	24	29	1.5	80	49.5	M24x1.5	25	14	38	500	40	50	0.78
NUKR 72 ZZ	72	24	29	1.5	80	49.5	M24x1.5	25	14	44	500	44.5	60	1.02
NUKR 80 ZZ	80	30	35	2	100	63	M30x1.5	32	14	47	500	69	98	1.6
NUKR 90 ZZ	90	30	35	2	100	63	M30x1.5	32	14	47	500	79	117	2

Outer Ring with cylindric surface : X reference (NUKR 90 x ZZ)

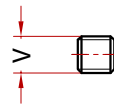
Stud Type Track Rollers NUKR...ZZ MA



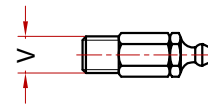
Hexagonal Nuts



Closing plug



Extension with greaser

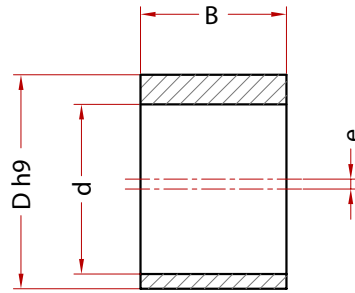
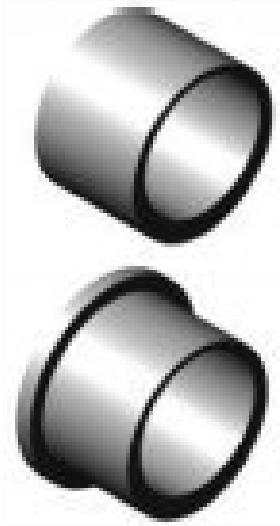


Unit: mm

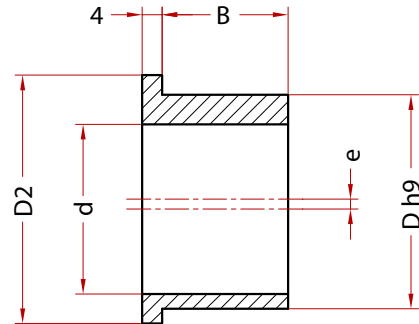
Code	Dimensions												Load Rating Truck Roller		Weight, kg
	D	d	b	r	C	H	G	L	Ch	V	T	R	Cw KN	Cow KN	
NUKR 62 ZZ MA	62	24	29	1.5	80	49.5	M24x1.5	25	14	M 1/8	38	500	40	50	0.78
NUKR 72 ZZ MA	72	24	29	1.5	80	49.5	M24x1.5	25	14	M 1/8	44	500	44.5	60	1.02
NUKR 80 ZZ MA	80	30	35	2	100	63	M30x1.5	32	14	M 1/8	47	500	69	98	1.6
NUKR 90 ZZ MA	90	30	35	2	100	63	M30x1.5	32	14	M 1/8	47	500	79	117	2
NUKR 100 ZZ MA	100	36	40	2	117	75	M36	38	17	M 1/8	60	1000	95	155	2.6
NUKR 110 ZZ MA	110	36	40	2	117	75	M36	38	17	M 1/8	60	1000	104	162	3
NUKR 120 ZZ MA	120	42	46	2	136	88	M42	44	19	M 1/8	70	1000	138	214	3.6
NUKR 130 ZZ MA	130	42	46	2	136	88	M42	44	19	M 1/8	70	1000	147	250	4

Outer Ring with cylindric surface : X reference (NUKR 90 x ZZ MA)

Eccentric Collars



Type "A"



Type "B"

Unit: mm

Code	Dimensions					Type	Stud Type Track Rollers
	d	D	B	D2	e		
EX 16	6	9	7	-	0.5	A	KR 16 - KRV 16
EX 19	8	11	9	-	0.5	A	KR 19 - KRV 16
EX 22	10	13	10	-	0.5	A	KR 22 - KRV 22 - KR 26 - KRV 26
EXN 22	10	14	11	-	1	A	KR 22 - KRV 22 - KR 26 - KRV 26
EX 30	12	15	11	-	0.5	A	KR 30 - KRV 30 - KR 32 - KRV 32
EXN 30	12	16	11	-	1	A	KR 30 - KRV 30 - KR 32 - KRV 32
EX 35	16	20	14	-	1	A	NUKR 35 - KR 35 - KRV 35
EXN 35	16	21	14	-	1.5	A	NUKR 35 - KR 35 - KRV 35
EX 40	18	22	16	-	1	A	NUKR 40 - KR 40 - KRV 40
EXN 40	18	24	16	-	1.5	A	NUKR 40 - KR 40 - KRV 40
EX 47	20	24	18	-	1	A	NUKR 47 - KR 47 - KRV 47 - NUKR 52 - KR 52 - KRV 52
EXN 47	20	27	17.5	-	2	A	NUKR 47 - KR 47 - KRV 47 - NUKR 52 - KR 52 - KRV 52
EX 62	24	28	22	-	1	A	NUKR 62 - KR 62 - KRV 62 - NUKR 72 - KR 72 - KRV 72
EXN 62	24	36	18	44	3	B	NUKR 62 - KR 62 - KRV 62 - NUKR 72 - KR 72 - KRV 72
EX 80	30	35	29	-	1.5	A	NUKR 80 - KR 80 - KRV 80 - NUKR 90 - KR 90 - KRV 90
EXN 80	30	42	27	50	3	B	NUKR 80 - KR 80 - KRV 80 - NUKR 90 - KR 90 - KRV 90
EXN 100	36	48	32	56	3	B	NUKR 100 - NUKR 110
EXN 120	42	54	39	62	3	B	NUKR 120 - NUKR 130

Yoke Type Track Rollers LR...



are complete units consisting of an outer ring, inner ring and two ball and cage assemblies with plastic cages

are based on the structure of radial ball bearings

are mounted on a shaft

have a thick-walled outer ring with a crowned outside surface. This gives:

reduced edge loading if misalignment occurs

can support axial forces in both directions as well as radial forces

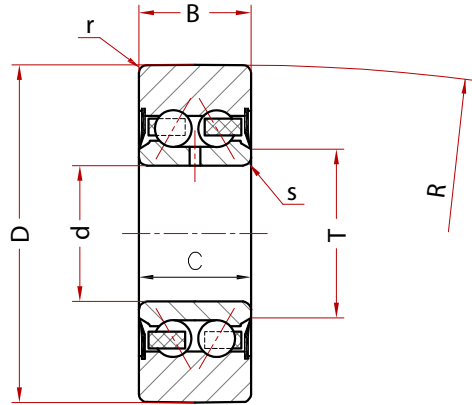
are greased with lithium soap grease to DIN 51 825-K3K-30

are protected against contaminants and water spray by sealing shields on both sides

are suitable for operating temperatures from -20 °C to +120 °C, limited by the grease and cage material

have an outside diameter between 32 mm and 85 mm

Yoke Type Track Rollers LR...



Unit: mm

Code	Dimensions								Load Rating Truck Roller		Weight, kg
	d	D	B	C	T	R	s	r	Cw KN	Cow KN	
LR 5200 ZZ	10	32	14	14	15.4	500	1	1	7.41	4.05	0.070
LR 5200 2RS	10	32	14	14	15.4	500	1	1	7.41	4.05	0.070
LR 5201 ZZ	12	35	15.9	15.9	17.1	500	1	1	9.95	5.2	0.080
LR 5201 2RS	12	35	15.9	15.9	17.1	500	1	1	9.95	5.2	0.080
LR 5202 ZZ	15	40	15.9	15.9	20	500	1	1	11.1	6.4	0.110
LR 5202 2RS	15	40	15.9	15.9	20	500	1	1	11.1	6.4	0.110
LR 5203 ZZ	17	47	17.5	17.5	22.5	500	1	1	13.8	8.3	0.170
LR 5203 2RS	17	47	17.5	17.5	22.5	500	1	1	13.8	8.3	0.170
LR 5204 ZZ	20	52	20.6	20.6	26.5	500	1.5	1.5	18.2	11	0.230
LR 5204 2RS	20	52	20.6	20.6	26.5	500	1.5	1.5	18.2	11	0.230
LR 5205 ZZ	25	62	20.6	20.6	30.3	500	1.5	1.5	19.9	13.4	0.340
LR 5205 2RS	25	62	20.6	20.6	30.3	500	1.5	1.5	19.9	13.4	0.340
LR 5206 ZZ	30	72	23.8	23.8	37.4	500	1.5	1.5	27.6	18.6	0.510
LR 5206 2RS	30	72	23.8	23.8	37.4	500	1.5	1.5	27.6	18.6	0.510
LR 5207 ZZ	35	80	27	27	42.4	500	1.8	1.8	35.1	24	0.660
LR 5207 2RS	35	80	27	27	42.4	500	1.8	1.8	35.1	24	0.660
LR 5208 ZZ	40	85	30.2	30.2	48.4	500	1.8	1.8	44.5	33	0.660
LR 5208 2RS	40	85	30.2	30.2	48.4	500	1.8	1.8	44.5	33	0.660

Outer Ring with cylindric surface : X reference (LR 5208 x 2RS)

Yoke Type Track Rollers STO...



are complete units consisting of an outer ring, inner ring and a needle roller and cage assembly, which can be mounted separately

are mounted on a shaft

have a thick-walled outer ring with a crowned outside surface.

can support high radial forces

have no axial guidance for the outer ring

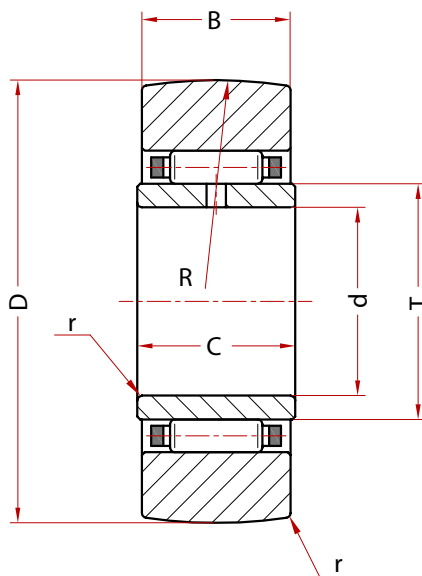
are greased with lithium complex soap grease to DIN 51 825-KP2N-25

can be relubricated via the inner ring

have an outside diameter between 19 mm and 90 mm

have a radius of curvature of $R = 500$ mm as standard

Yoke Type Track Rollers STO...



Unit: mm

Code	Dimensions								Load Rating Truck Roller		Weight, kg
	D	d	B	C	r_{min}	T	Fw	R	Cw KN	Cow KN	
STO 6	19	6	9.8	10	0.3	10	10	500	16	18.3	0.017
STO 8	24	8	9.8	10	0.3	12	12	500	18.5	22.8	0.026
STO 10	30	10	11.8	12	0.3	14	14	500	28	34.5	0.049
STO 12	32	12	11.8	12	0.3	16	16	500	29	37.5	0.057
STO 15	35	15	11.8	12	0.3	20	20	500	40.5	51	0.063
STO 17	40	17	15.8	16	0.3	22	22	500	45	61	0.107
STO 20	47	20	15.8	16	0.3	25	25	500	67	93	0.152
STO 25	52	25	15.8	16	0.3	30	30	500	77	110	0.177
STO 30	62	30	19.8	20	0.6	38	38	500	77	110	0.308
STO 35	72	35	19.8	20	0.6	42	42	500	77	110	0.441
STO 40	80	40	19.8	20	1	50	50	500	77	110	0.530
STO 45	85	45	19.8	20	1	55	55	500	77	110	0.576
STO 50	90	50	19.8	20	1	60	60	500	77	110	0.617

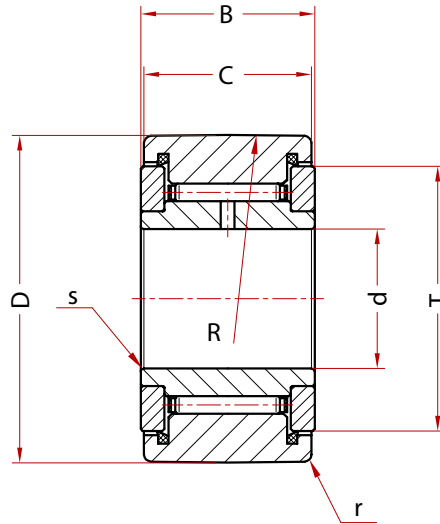
Outer Ring with cylindric surface : X reference (STO 30 x X)

Yoke Type Track Rollers NATR...2RS



are complete units consisting of an outer ring, needle roller and cage assembly and an inner ring with thrust washers are mounted on a shaft
have a thick-walled outer ring with a crowned outside surface, axially guided by axial contact washers and axial plain washers
can support high radial forces
are greased with lithium complex soap grease to DIN 51 825-KP2N-25
can be relubricated via the inner ring
are protected against contaminants and water spray by plastic axial plain washers
are suitable for operating temperatures from -30 °C to +100 °C, limited by the grease and sealing ring material
have an outside diameter between 16 mm and 90 mm

Yoke Type Track Rollers NATR...2RS



Unit: mm

Code	Dimensions								Load Rating Truck Roller		Weight, kg
	d	D	B	C	r	s	T	R	Cw KN	Cow KN	
NATR 5-16 2RS	5	16	12	11	0.15	0.15	12	500	3.15	3.3	0.014
NATR 6-19 2RS	6	19	12	11	0.15	0.15	14	500	3.5	3.9	0.020
NATR 8-24 2RS	8	24	15	14	0.3	0.3	19	500	5.5	6.4	0.041
NATR 10-30 2RS	10	30	15	14	0.6	0.3	23	500	6.8	8.4	0.064
NATR 12-32 2RS	12	32	15	14	0.6	0.3	25	500	6.9	8.8	0.071
NATR 15-35 2RS	15	35	19	18	0.6	0.3	27	500	9.7	14.1	0.103
NATR 17-40 2RS	17	40	21	20	1	0.3	32	500	10.9	15.5	0.144
NATR 20-47 2RS	20	47	25	24	1	0.3	37	500	15.5	25.5	0.246
NATR 25-52 2RS	25	52	25	24	1	0.3	42	500	15.4	26.5	0.275
NATR 30-62 2RS	30	62	29	28	1	0.3	51	500	23.6	38.5	0.470
NATR 35-72 2RS	35	72	29	28	1.1	0.6	58	500	25.5	44.5	0.635
NATR 40-80 2RS	40	80	32	30	1.1	0.6	66	500	33	59	0.805
NATR 45-85 2RS	45	85	32	30	1.1	0.6	72	500	32.5	59	0.910
NATR 50-90 2RS	50	90	32	30	1.1	0.6	76	500	32	59	0.960

Outer Ring with cylindric surface : X reference (NATR 50-90 2RS)

Yoke Type Track Rollers NATV...2RS



are complete units consisting of an outer ring, full complement needle roller set and an inner ring with thrust washers

are mounted on a shaft

have a thick-walled outer ring with a crowned outside surface, axially guided by axial contact washers and axial plain washers

can support high radial forces

are greased with lithium complex soap grease to DIN 51 825-KP2N-25

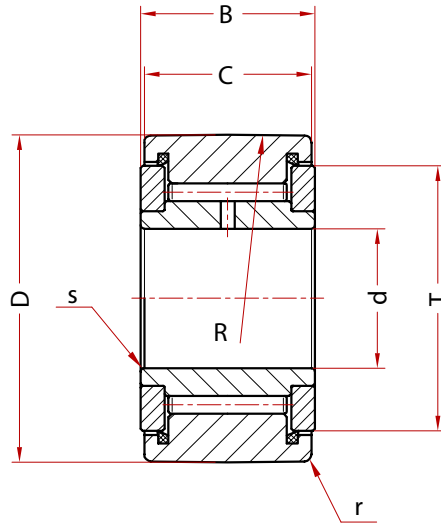
can be relubricated via the inner ring

are protected against contaminants and water spray by plastic axial plain washers

are suitable for operating temperatures from -30 °C to +100 °C, limited by the grease and sealing ring material

have an outside diameter between 16 mm and 90 mm

Yoke Type Track Rollers NATV...2RS



Unit: mm

Code	Dimensions								Load Rating Truck Roller		Weight, kg
	d	D	B	C	r	s	T	R	Cw KN	Cow KN	
NATV 6-19 2RS	5	16	12	11	0.15	0.15	12	500	4.85	6.5	0.015
NATV 8-24 2RS	6	19	12	11	0.15	0.15	14	500	5.5	7.9	0.021
NATV 10-30 2RS	8	24	15	14	0.3	0.3	19	500	7.8	11.4	0.042
NATV 12-32 2RS	10	30	15	14	0.6	0.3	23	500	9.5	14.6	0.065
NATV 15-35 2RS	12	32	15	14	0.6	0.3	25	500	9.7	15.4	0.072
NATV 17-40 2RS	15	35	19	18	0.6	0.3	27	500	12.8	23	0.105
NATV 20-47 2RS	17	40	21	20	1	0.3	32	500	14.8	26.5	0.152
NATV 25-52 2RS	20	47	25	24	1	0.3	37	500	20.6	42	0.254
NATV 30-62 2RS	25	52	25	24	1	0.3	42	500	20.5	44	0.285
NATV 35-72 2RS	30	62	29	28	1	0.3	51	500	30.5	63	0.481
NATV 40-80 2RS	35	72	29	28	1.1	0.6	58	500	33	73	0.647
NATV 45-85 2RS	40	80	32	30	1.1	0.6	66	500	41	90	0.890
NATV 50-90 2RS	50	90	32	30	1.1	0.6	76	500	40.5	93	0.990

Outer Ring with cylindric surface : X reference (NATV 50-90 2RS)

Yoke Type Track Rollers NUTR...ZZ



are complete units consisting of an outer ring, full complement cylindrical roller set and an inner ring are mounted on a shaft

have a thick-walled outer ring with a crowned outside surface, axially guided by the rolling elements

can support high radial forces

are greased with lithium complex soap grease to DIN 51 825-KP2N-25

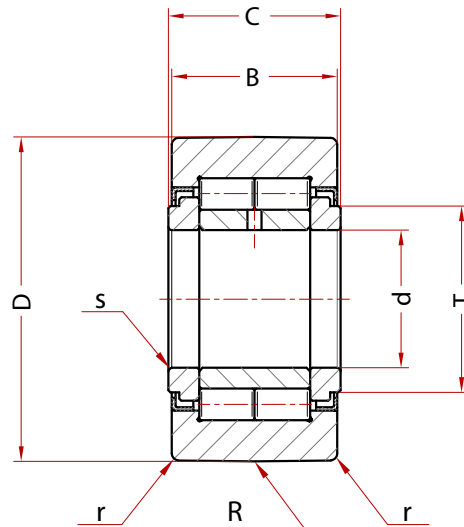
can be relubricated via the inner ring

are protected from contamination by labyrinth seals on both sides

are suitable for operating temperatures from -30 °C to +100 °C, limited by the grease

have an outside diameter between 35 mm and 260 mm

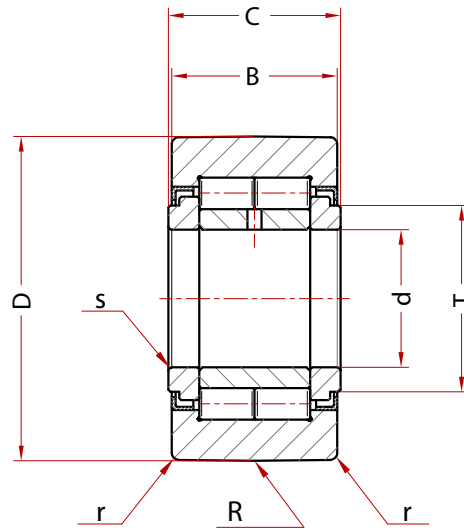
Yoke Type Track Rollers NUTR...ZZ



Unit: mm

Code	Dimensions								Load Rating Truck Roller		Weight, kg
	d	D	B	C	r	s	T	R	Cw KN	Cow KN	
NUTR 15-35 ZZ	15	35	18	19	1	0.8	20	500	16	18.3	0.10
NUTR 15-42 ZZ		42							19.4	23.8	0.15
NUTR 17-40 ZZ	17	40	20	21	1	0.8	22	500	18.5	22.8	0.15
NUTR 17-47 ZZ		47							21.3	28	0.22
NUTR 20-47 ZZ	20	47	24	25	1	0.8	27	500	28	35	0.24
NUTR 20-52 ZZ		52							31.5	41	0.32
NUTR 25-52 ZZ	25	52	24	25	1	0.8	31	500	29	37.5	0.28
NUTR 25-62 ZZ		62							35.5	50	0.45
NUTR 30-62 ZZ	30	62	28	29	1.5	1	38	500	40	51	0.46
NUTR 30-72 ZZ		72							48	65	0.69
NUTR 35-72 ZZ	35	72	28	29	1.5	1	44	500	45	61	0.63
NUTR 35-80 ZZ		80							51	72	0.83
NUTR 40-80 ZZ	40	80	30	32	1.5	1	51	500	56	76	0.81
NUTR 40-90 ZZ		90							66	96	1.12
NUTR 45-85 ZZ	45	85	30	32	1.5	1	55	500	56	79	0.88
NUTR 45-100 ZZ		100							72	108	1.30
NUTR 50-90 ZZ	50	90	30	32	1.5	1	60	500	57	81	0.95
NUTR 50-110 ZZ		110							76	121	1.60

Outer Ring with cylindric surface : X reference (NUTR 50-90 x ZZ)

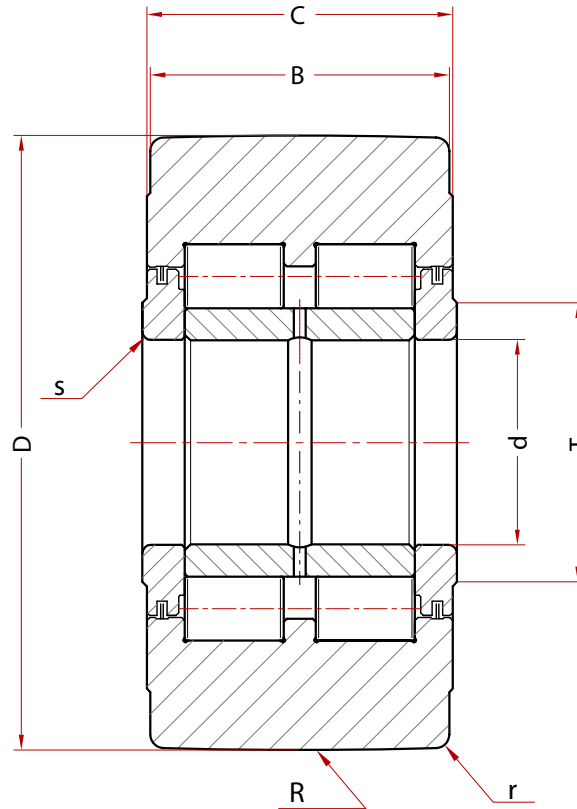


Unit: mm

Code	Dimensions								Load Rating Truck Roller		Weight, kg
	d	D	B	C	r	s	T	R	Cw KN	Cow KN	
NUTR 55-100 ZZ	55	110	34	36	1.5	1	76	1000	54	110	-
NUTR 55-120 ZZ		120							98	177	-
NUTR 60-110 ZZ	60	110	34	36	1.5	1	82	1000	65	130	-
NUTR 60-130 ZZ		130							114	197	-
NUTR 65-120 ZZ	65	120	40	42	2	1.2	87	1000	90	175	-
NUTR 65-140 ZZ		140							153	254	-
NUTR 70-125 ZZ	70	125	40	42	2	1.2	92	1000	94	182	-
NUTR 70-150 ZZ		150							172	277	-
NUTR 75-130 ZZ	75	130	40	42	2	1.2	97	1000	98	186	-
NUTR 75-160 ZZ		160							193	300	-
NUTR 80-140 ZZ	80	140	46	48	2.5	1.5	102	1000	135	254	-
NUTR 80-170 ZZ		170							247	380	-
NUTR 85-150 ZZ	85	150	46	48	2.5	1.5	109	1000	135	260	-
NUTR 85-180 ZZ		180							243	390	-
NUTR 90-160 ZZ	90	160	52	54	2.5	1.5	115	1000	168	329	-
NUTR 90-190 ZZ		190							297	480	-
NUTR 95-170 ZZ	95	170	52	54	2.5	1.5	122	1000	185	359	-
NUTR 95-200 ZZ		200							317	510	-
NUTR 100-180 ZZ	100	180	63	65	2.5	1.5	128	1000	252	493	-
NUTR 100-215 ZZ		215							446	700	-
NUTR 110-200 ZZ	110	200	63	65	2.5	1.5	137	1000	312	592	-
NUTR 110-240 ZZ		240							550	770	-
NUTR 120-215 ZZ	120	215	63	65	2.5	1.5	150	1000	312	603	-
NUTR 120-260 ZZ		260							570	830	-

Outer Ring with cylindric surface : X reference (NUTR 55-110 x ZZ)

Yoke Type Track Rollers TPR...ZZ



Unit: mm

Code	Dimensions								Load Rating Truck Roller		Weight, kg
	d	D	B	C	T	R	s	r	Cw KN	Cow KN	
TPR 50-130 ZZ	50	130	63	65	63	10 000	2x45°	3	192	250	5.2
TPR 55-140 ZZ	55	140	68	70	73	10 000	2x45°	3	223	300	6.4
TPR 60-150 ZZ	60	150	73	75	78	10 000	2x45°	3	255	350	7.8
TPR 65-160 ZZ	65	160	73	75	82	10 000	2x45°	3	275	370	8.8
TPR 70-180 ZZ	70	180	83	85	92	10 000	2x45°	3	350	490	13
TPR 80-200 ZZ	80	200	88	90	102	10 000	2x45°	4	410	580	16.8
TPR 90-220 ZZ	90	220	98	100	119	10 000	2.5x45°	4	495	720	22.5
TPR 100-240 ZZ	100	240	103	105	132	10 000	2.5x45°	4	560	830	28
TPR 110-260 ZZ	110	260	113	115	143	10 000	2.5x45°	4	670	1.020	35.6
TPR 120-290 ZZ	120	290	133	135	155	15 000	3x45°	4	890	1.370	52.8
TPR 130-310 ZZ	130	310	144	146	165	15 000	3x45°	5	1.020	1.600	65.2

Outer Ring with cylindric surface: X reference (TPR 50-130 x ZZ)

CONTENTS

UNIT 3 - Special Bearings for Steel Profile

Examples 32 - 33

Fixed Combined Bearings for "C" profiles..... 34 - 35

Fixed and Adjustable Combined Bearings for "I" profiles36 - 37

Adjustable Combined Bearings for "C" profiles 38 - 39

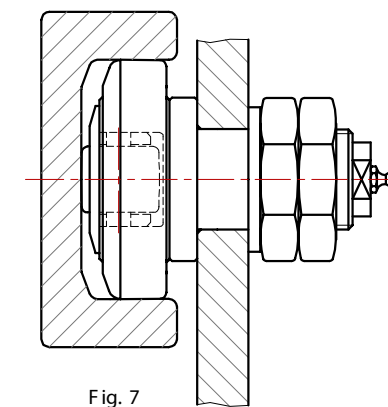
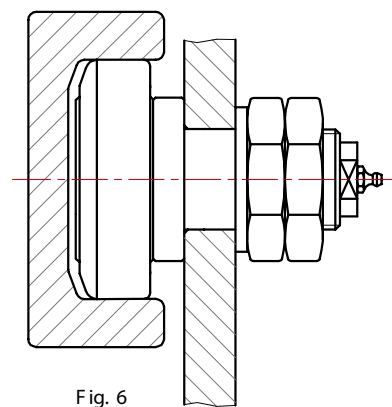
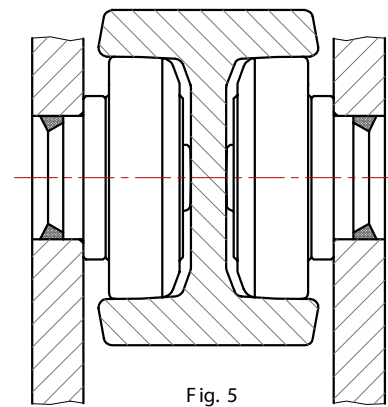
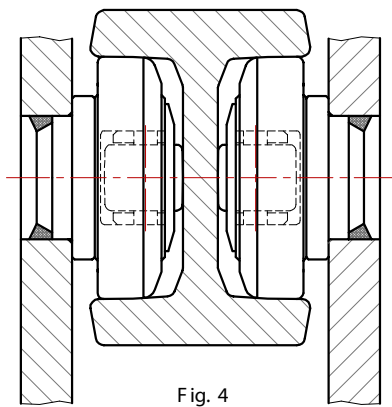
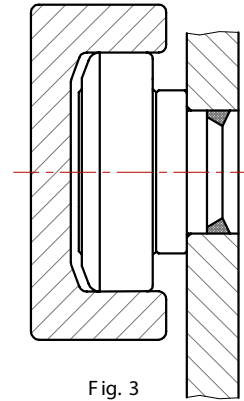
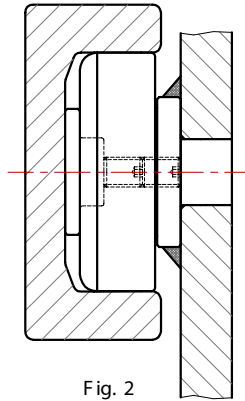
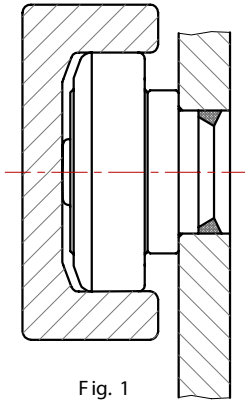
Combined Bearings with stud for "C" profiles 40 - 41

Radial Bearings with stud for "C" profiles42 - 45

Yoke Type Track Rollers for "C" profiles46 - 47

Yoke Type Track Rollers with stud for "C" profiles 48 - 49

Bearings for Steel Profiles - Examples



Bearings for Steel Profiles - Examples

These bearings are used in material handling equipment and they roll in steel guides known as profiles.

The tables in following pages show bearings used in "C" shape profiles (Fig. 1 - 2 - 3 - 6 - 7) and in "I" shape profiles (Fig. 4 - 5)

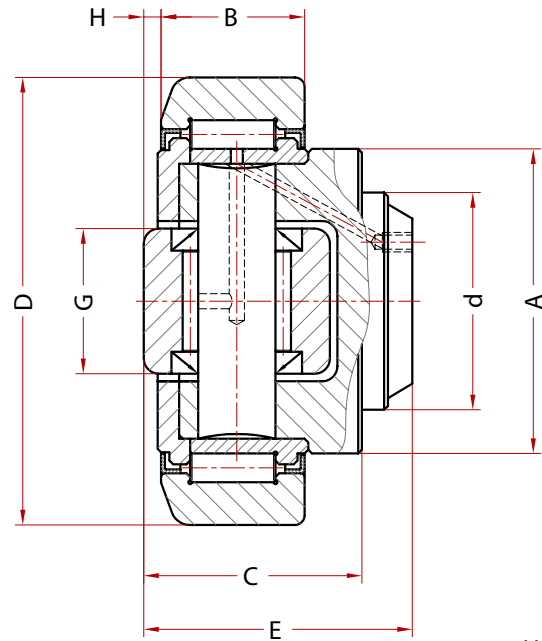
The bearings have different executions :

- 1) Fixed combined bearings (Fig. 1-5-7).
They bear both axial and radial loads.
- 2) Adjustable combined bearings (Fig. 2 - 4).
In addition to bear both axial and radial loads , they can be axially adjusted. This device reduces clearance between the bearing and the profile it is rolling in.
- 3) Radial bearings with shaft (Fig. 3 - 6).
They bear radial loads.

In all the cases above described, the shaft is welded in a hole made in the equipment.

However the bearings described in Fig. 6 - 7 does not require welding as it is easily fixed with two blocking nuts.

Fixed Combined Bearings for "C" profiles

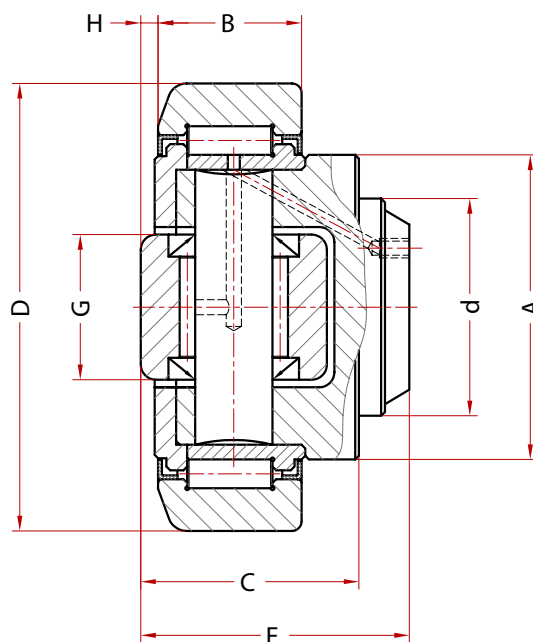


Unit: mm

Code	Dimensions								Weight, kg	Load Rating				Steel Profile Nr.
	d	D	B	E	C	G	A	H		Radial		Axial		
										C KN	C ₀ KN	C _A KN	C _{0A} KN	
E 0005 ***	30	52.5	17	33	27	15	40	5	0.39	24	33	10	14	-
E 0010	30	62	20	37.5	30.5	20	42	2.5	0.52	39	65	15	22	2890
E 0010-62.5	30	62.5	20	37.5	30.5	20	42	2.5	0.52	39	65	15	22	2890
E 0020	35	70.1	23	44	36	22	48	2.5	0.78	57	96	18	26	2867
E 0020-70.4	35	70.4	23	44	36	22	48	2.5	0.78	57	96	18	26	2867
E 0020-70.7	35	70.7	23	44	36	22	48	2.5	0.78	57	96	18	26	2867
E 0030	40	77.7	23	48	36.5	26	54	3	1.02	60	106	20	32	2810
E 0030-78.1	40	78.1	23	48	36.5	26	54	3	1.02	60	106	20	32	2810
E 0030-78.5	40	78.5	23	48	36.5	26	54	3	1.02	60	106	20	32	2810
E 0040	45	88.4	30	57	44	26	59	3.5	1.61	85	132	18	22	2811
E 0040-88.9	45	88.9	30	57	44	26	59	3.5	1.61	85	132	18	22	2811
E 0050	60	107.7	31	69	55	34	71	4	2.69	97	167	40	65	2862
E 0050/108.2	60	108.2	31	69	55	34	71	4	2.69	97	167	40	65	2862
E 0060	60	123	37	72.3	56	40	80	5	3.88	135	242	47	90	2891
E 0070	60	149	45	78.5	58.5	50	103	5.5	6.65	188	370	85	120	2757
E 0070-86	60	149	45	86	67	50	103	5.5	7.15	188	370	85	120	2757
E 0075	60	160	45	78.5	58.5	50	103	5.5	7.1	188	370	85	120	-
E 0080	80	174	55	95	71	63	120	7	11.3	284	534	185	321	-
E 0080-185	80	185	55	95	71	63	120	7	11.3	284	534	185	321	-

*** Sealed bearings, not relubricable.

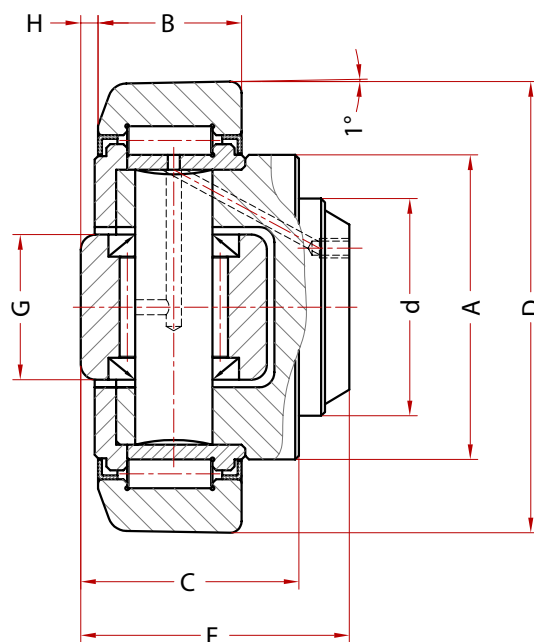
Fixed Precision Combined Bearings for "C" milled profiles



Unit: mm

Code	Dimensions								Weight, kg	Load Rating				Steel Profile Nr.
	d	D	B	E	C	G	A	H		Radial		Axial		
										C KN	C ₀ KN	C _A KN	C _{0A} KN	
E 0010-64.8	30	64.8	20	37.5	30.5	20	42	2.5	0.52	39	65	15	22	2890 F
E 0020-73.8	35	73.8	23	44	36	22	48	2.5	0.78	57	96	18	26	2867 F
E 0030-81.8	40	81.8	23	48	36.5	26	54	3	1.02	60	106	20	32	2810 F
E 0040-92.8	45	92.8	30	57	44	26	59	3.5	1.61	85	132	18	22	2811 F
E 0050-111.8	60	111.8	31	69	55	34	71	4	2.69	97	167	40	65	2862 F
E 0060-127.8	60	127.8	37	72.3	56	40	80	5	3.88	135	242	47	90	2891 F
E 0070-153.8	60	153.8	45	78.5	58.5	50	103	5.5	6.65	188	370	85	120	2757 F

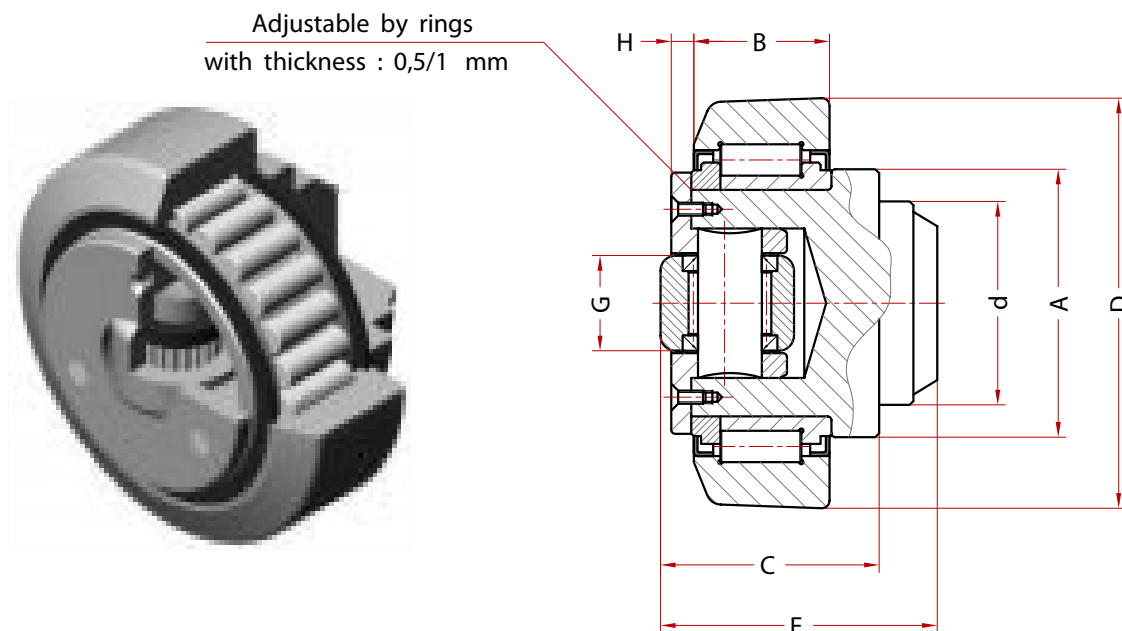
Fixed Combined Bearings for "I" profiles



Unit: mm

Code	Dimensions								Weight, kg	Load Rating				Steel Profile Nr.
	d	D	B	E	C	G	A	H		Radial		Axial		
										C KN	C ₀ KN	C _A KN	C _{0A} KN	
E 0100	35	70.3	23	40.5	30.5	22	48	2.5	0.74	57	96	18	26	3018
E 0110	40	78.3	23	40.7	29	24	54	3	0.88	59	102	20	32	3019
E 0115	45	89.2	30	50	37.5	26	59	4.5	1.58	85	132	18	22	3020
E 0120	50	101.9	28	46	33	30	67	3	1.72	92	153	32	50	2912
E 0130	55	108.5	31	53	39	34	71	4	2.22	97	167	40	65	3100
E 0135	60	123.5	33	57	42	40	78	3	3.2	126	194	38	70	3353
E 0140	60	129.4	33	56.5	42.5	40	78	3	3.40	126	194	38	70	
E 0150	60	165	36	61	46	60	113	3	6.3	150	300	82	109	

Fixed Combined Bearings for "I" profiles

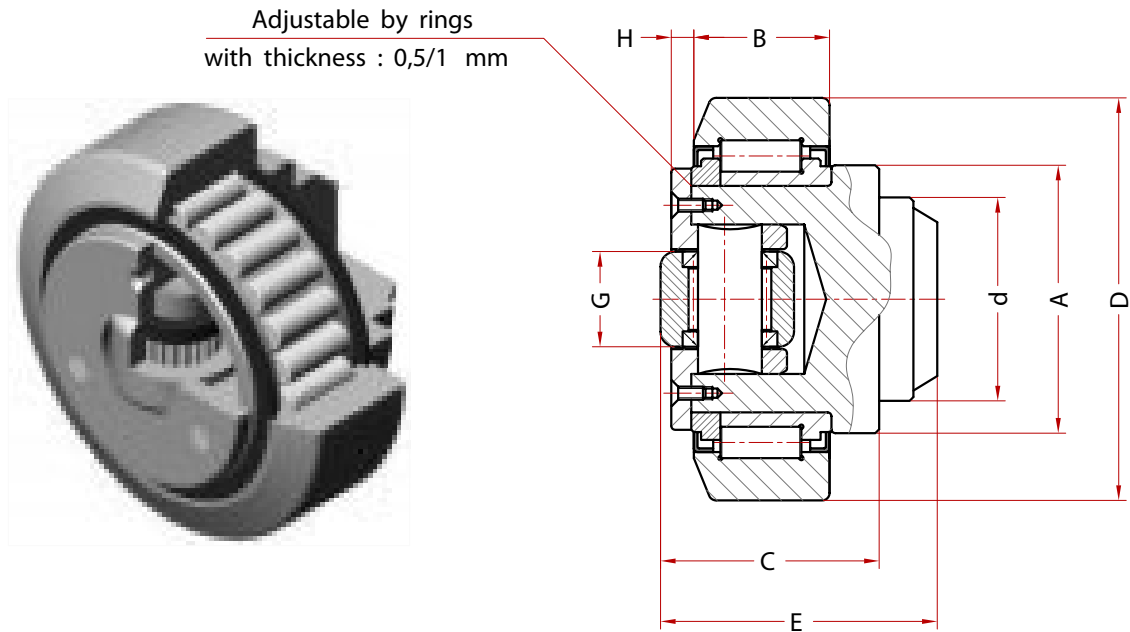


Unit: mm

Code	Dimensions								Weight, kg	Load Rating				Steel Profile Nr.
	d	D	B	E	C	G	A	H		Radial		Axial		
										C KN	C ₀ KN	C _A KN	C _{0A} KN	
-	35	70.3	23	44	33	16	48	6.5	0.95	57	96	11	15	3018
C 4078	40	78.3	23	45	34	21	54	7	1.05	60	106	17	26	3019
C 4589	45	89.3	30	54	41.5	21	54	7	1.55	85	134	17	26	3020
C 50101	50	101.9	28	50.5	37.5	21	67	7	2.05	88	152	17	26	2912
C 55108	55	108.5	31	58.5	44.5	33	71	8	3.1	97	167	36	47	3100

Sealed bearings, not relubricable.

Adjustable Combined Bearings for "C" profiles



Unit: mm

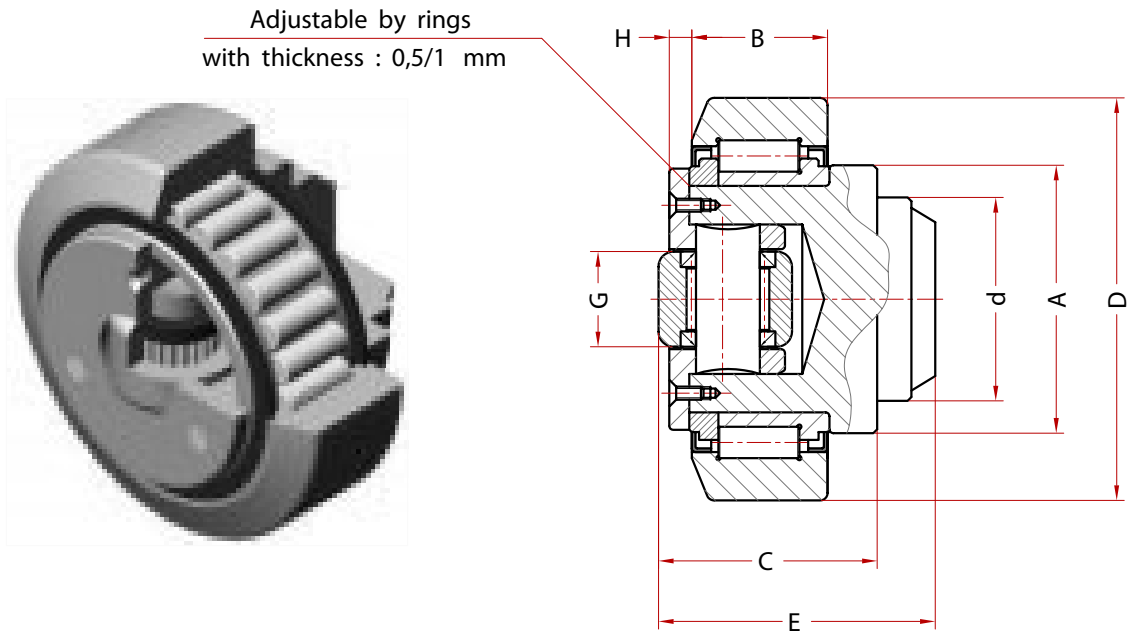
Code	Dimensions								Weight, kg	Load Rating				Steel Profile Nr.
	d	D	B	E	C	G	A	H		Radial		Axial		
										C KN	C ₀ KN	C _A KN	C _{0A} KN	
E 0300	30	62	20	43	33	16	42	5.5	0.60	39	65	11	15	2890
E 0300-62.5	30	62.5	20	43	33	16	42	5.5	0.60	39	65	11	15	2890
E 0310	35	70.1	23	48	40	16	48	6.5	0.90	57	96	17	26	2867
E 0310-70.4	35	70.4	23	48	40	16	48	6.5	0.90	57	96	17	26	2867
E 0310-70.7	35	70.7	23	48	40	16	48	6.5	0.90	57	96	17	26	2867
E 0320	40	77.7	23	50.5	39.5	21	54	7	1.05	60	106	17	26	2810
E 0320-78.1	40	78.1	23	50.5	39.5	21	54	7	1.05	60	106	17	26	2810
E 0320-78.5	40	78.5	23	50.5	39.5	21	54	7	1.05	60	106	17	26	2810
E 0330	45	88.4	30	61	48	21	59	7	1.70	85	132	17	26	2811
E 0330-88.9	45	88.9	30	61	48	21	59	7	1.70	85	132	17	26	2811
E 0340	60	107.7	31	69	55	33	71	8	2.40	97	167	36	47	2862
E 0340-108.2	60	108.2	31	69	55	33	71	8	2.40	97	167	36	47	2862
E 0350	60	123	37	75.8	59.5	33	78	8	4.10	135	242	36	47	2891
E 0360	60	149	45	89	69	50	113	15	6.80	188	370	85	120	2757

Sealed bearings, not relubricable.

(800)700-72-07; sales@technobearing.ru

www.technobearing.ru

Adjustable Precision Combined Bearings for "C" milled profiles

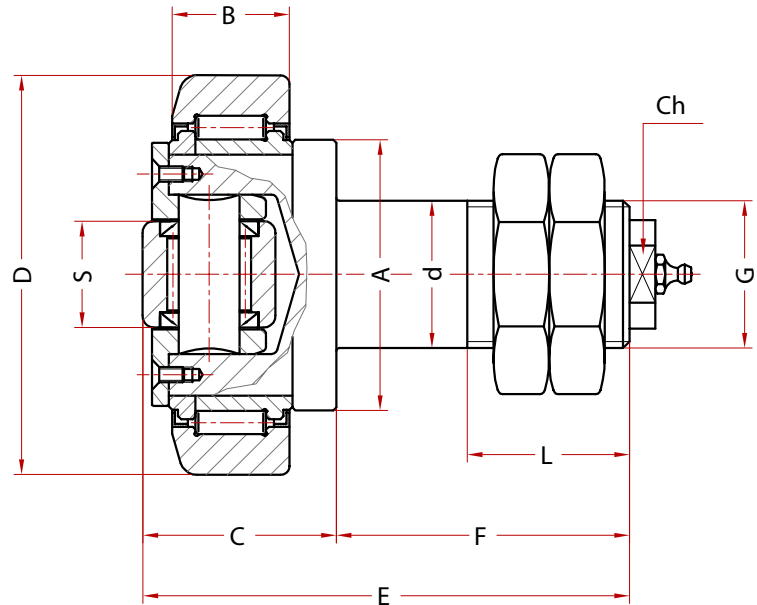


Unit: mm

Code	Dimensions								Weight, kg	Load Rating				Steel Profile Nr.
	d	D	B	E	C	G	A	H		Radial		Axial		
										C KN	C ₀ KN	C _A KN	C _{0A} KN	
E 0300-64.8	30	64.8	20	43	33	16	42	5.5	0.6	39	65	11	15	2890 F
E 0310-73.8	35	73.8	23	48	40	16	48	6.5	0.9	57	96	17	26	2867 F
E 0320-81.8	40	81.8	23	50.5	39.5	21	54	7	1.05	60	106	17	26	2810 F
E 0330-91.8	45	92.8	30	61	48	21	59	7	1.7	85	132	17	26	2811 F
E 0340-111.8	60	111.8	31	69	55	33	71	8	2.4	97	167	36	47	2862 F
E 0350-127.8	60	127.8	37	75.8	59.5	33	78	8	4.1	135	242	36	47	2891 F
E 0360-153.8	60	153.8	45	89	69	50	113	15	6.8	188	370	85	120	2757 F

Sealed bearings, not relubricable.

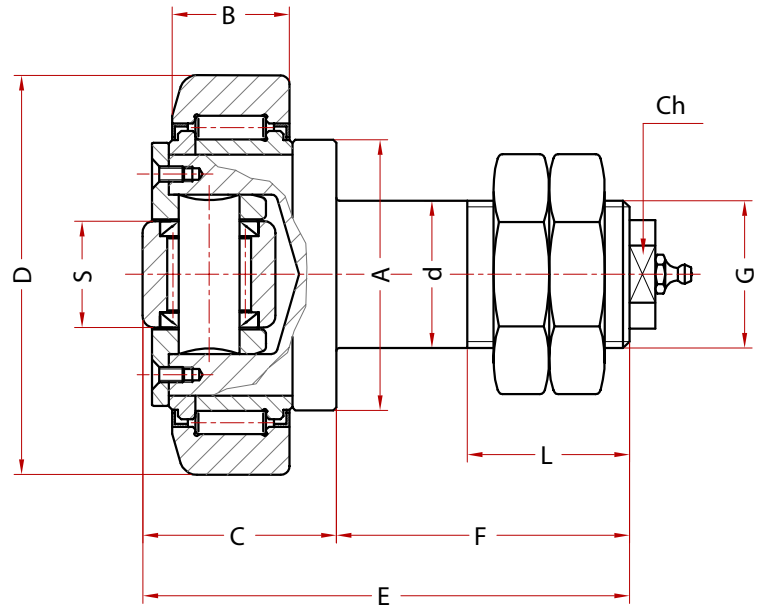
Combined Bearings with Stud for "C" profiles



Unit: mm

Code	Dimensions											Weight, kg	Load Rating				Steel Profile Nr.
	d	D	B	C	E	F	A	G	S	L	Ch		Radial		Axial		
													C KN	C ₀ KN	C _A KN	C _{0A} KN	
ECF 062	24	62	20	33	79	49.5	42	M24	16	25	14	1.00	39	65	11	15	2890
ECF 062-62.5	24	62.5	20	33	79	49.5	42	M24	16	25	14	1.00	39	65	11	15	2890
ECF 070	24	70.1	23	40	83.5	49.5	48	M24	16	25	14	1.20	57	96	17	26	2867
ECF 070-70.4	24	70.4	23	40	83.5	49.5	48	M24	16	25	14	1.20	57	96	17	26	2867
ECF 070-70.7	24	70.7	23	40	83.5	49.5	48	M24	16	25	14	1.20	57	96	17	26	2867
ECF 077	30	77.7	23	39.5	97	63	54	M30	21	32	20	1.80	60	106	17	26	2810
ECF 077-78.1	30	78.1	23	39.5	97	63	54	M30	21	32	20	1.80	60	106	17	26	2810
ECF 077-78.5	30	78.5	23	39.5	97	63	54	M30	21	32	20	1.80	60	106	17	26	2810
ECF 088	30	88.4	30	48	104	63	59	M30	21	32	20	2.30	85	132	17	26	2811
ECF 088-88.9	30	88.9	30	48	104	63	59	M30	21	32	20	2.30	85	132	17	26	2811
ECF 107	36	107.7	31	55	126.5	75	71	M36	33	38	20	4.00	97	167	36	47	2862
ECF 107-108.2	36	108.2	31	55	126.5	75	71	M36	33	38	20	4.00	97	167	36	47	2862
ECF 123	42	123	37	59.5	139.5	88	80	M42	33	44	24	5.00	135	242	36	47	2891
ECF 149	45	149	45	69	142	88	103	M45	50	44	24	8.00	188	370	85	120	2757

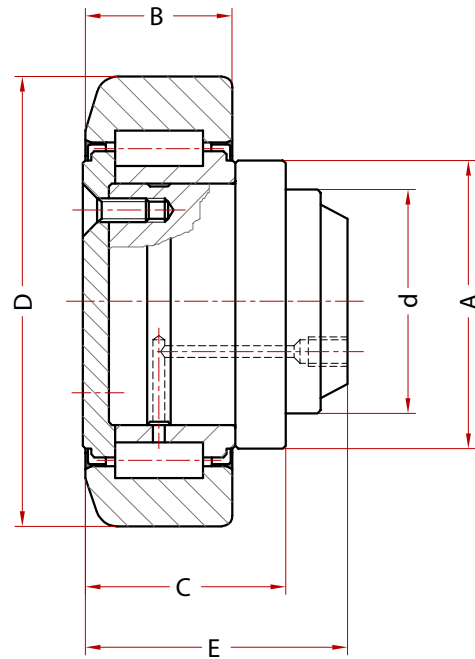
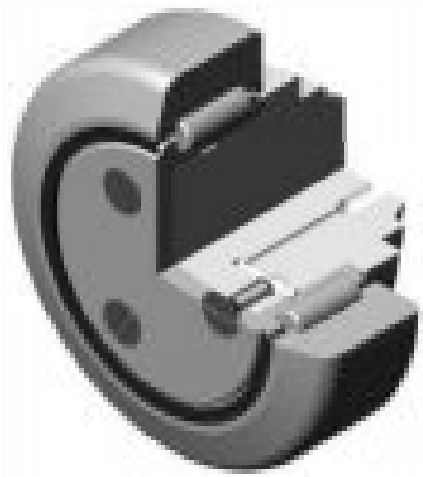
Combined Precision Bearings with Stud for "C" milled profiles



Unit: mm

Code	Dimensions											Weight, kg	Load Rating				Steel Profile Nr.
	d	D	B	C	E	F	A	G	S	L	Ch		Radial		Axial		
													C KN	C ₀ KN	C _A KN	C _{0A} KN	
ECF 062-64.8	24	64.8	20	33	79	49.5	42	M24	16	25	14	1.00	39	65	11	15	2890 F
ECF 070-73.8	24	73.8	23	40	8.5	49.5	48	M24	16	25	14	1.20	57	96	17	26	2867 F
ECF 077-81.8	30	81.8	23	39.5	97	63	54	M30	21	32	20	1.80	60	106	17	26	2810 F
ECF 088-92.8	30	92.8	30	48	104	63	59	M30	21	32	20	2.30	85	132	17	26	2811 F
ECF 107-111.8	36	111.8	31	55	126.5	75	71	M36	33	38	20	4.00	97	167	36	47	2862 F
ECF 123-127.8	42	127.8	37	59.5	139.5	88	80	M42	33	44	24	5.00	135	242	36	47	2891 F
ECF 149-153.8	45	153.8	45	69	142	88	103	M45	50	44	24	8.00	188	370	85	120	2757 F

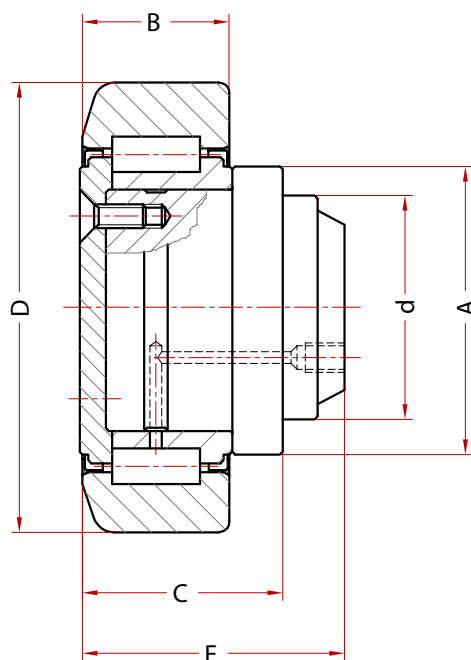
Radial Bearings with Stud for "C" profiles



Unit: mm

Code	Dimensions						Weight, kg	Radial Load Rating		Steel Profile Nr.
	d	D	B	E	C	A		Dinamic C KN	Static Co KN	
F 3062	30	62	20	36.5	29.5	42	0.60	39	65	2890
F 3062-62.5	30	62.5	20	36.5	29.5	42	0.60	39	65	2890
F 3570	35	70.1	23	42	34	48	0.78	57	96	2867
F 3570-70.4	35	70.4	23	42	34	48	0.78	57	96	2867
F 3570-70.7	35	70.7	23	42	34	48	0.78	57	96	2867
F 4077	40	77.7	23	45.5	34	54	1.10	60	106	2810
F 4077-78.1	40	78.1	23	45.5	34	54	1.10	60	106	2810
F 4077-78.5	40	78.5	23	45.5	34	54	1.10	60	106	2810
F 4588	45	88.4	30	54	41	59	1.70	85	132	2811
F 4588-88.9	45	88.9	30	54	41	59	1.70	85	132	2811
F 60107	60	107.7	31	65.5	51.5	69	2.70	97	167	2862
F 60107-108.2	60	108.2	31	65.5	51.5	69	2.70	97	167	2862
F 60123	60	123	37	67.8	51.5	79	3.90	135	242	2891
F 60149	60	149	45	74	54	103	6.50	188	370	2757

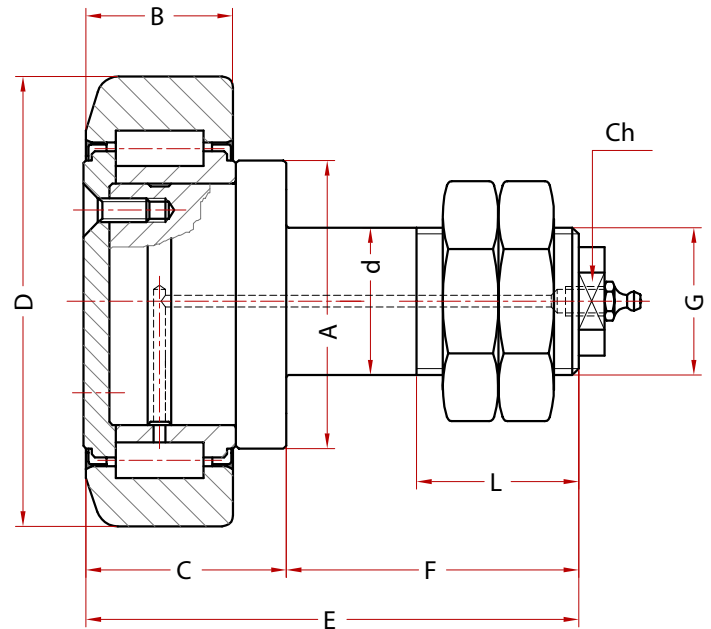
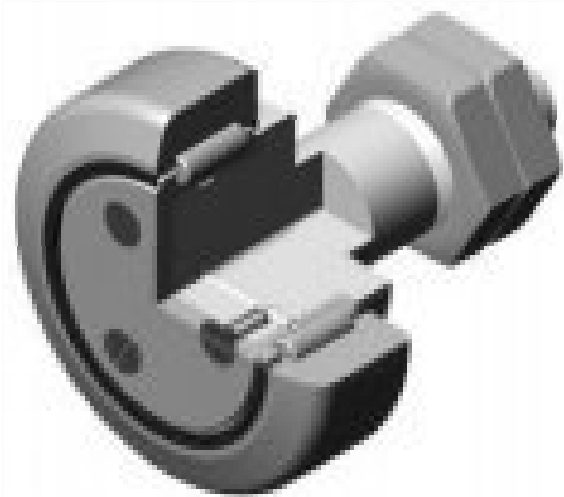
Radial Precision Bearings with Stud for "C" milled profiles



Unit: mm

Code	Dimensions						Weight, kg	Radial Load Rating		Steel Profile Nr.
	d	D	B	E	C	A		Dinamic C KN	Static Co KN	
F 3062-64.8	30	64.8	20	36.5	29.5	42	0.60	39	65	2890 F
F 3570-73.8	35	73.8	23	42	34	48	0.78	57	96	2867 F
F 4077-81.8	40	81.8	23	45.5	34	54	1.10	60	106	2810 F
F 4588-92.8	45	92.8	30	54	41	59	1.70	85	132	2811 F
F 60107-111.8	60	111.8	31	65.5	51.5	69	2.70	97	167	2862 F
F 60123-127.8	60	127.8	37	67.8	51.5	79	3.90	135	242	2891 F
F 60149-153.8	60	153.8	45	74	54	103	6.50	188	370	2757 F

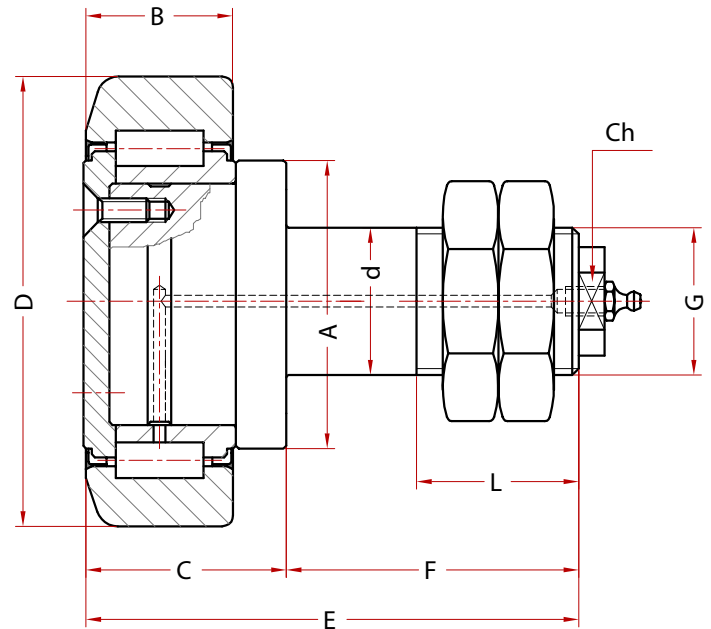
Radial Bearings with Stud for "C" profiles



Unit: mm

Code	Dimensions										Weight, kg	Radial Load Rating		Steel Profile Nr.
	d	D	B	C	E	F	A	G	L	Ch		Dinamic C KN	Static Co KN	
NUCF 062	24	62	20	29.5	79	49.5	42	M24x1.5	25	14	0.80	39	65	2890
NUCF 062-62.5	24	62.5	20	29.5	79	49.5	42	M24x1.5	25	14	0.80	39	65	2890
NUCF 070	24	70.1	23	34	83.5	49.5	48	M24x1.5	25	14	1.00	57	96	2867
NUCF 070-70.4	24	70.4	23	34	83.5	49.5	48	M24x1.5	25	14	1.00	57	96	2867
NUCF 070-70.7	24	70.7	23	34	83.5	49.5	48	M24x1.5	25	14	1.00	57	96	2867
NUCF 077	30	77.7	23	34	97	63	54	M30x1.5	32	20	1.60	60	106	2810
NUCF 077-78.1	30	78.1	23	34	97	63	54	M30x1.5	32	20	1.60	60	106	2810
NUCF 077-78.5	30	78.5	23	34	97	63	54	M30x1.5	32	20	1.60	60	106	2810
NUCF 088	30	88.4	30	41	104	63	59	M30x1.5	32	20	2.00	85	132	2811
NUCF 088-88.9	30	88.9	30	41	104	63	59	M30x1.5	32	20	2.00	85	132	2811
NUCF 107	36	107.7	31	51.5	126.5	75	71	M36	38	20	3.50	97	167	2862
NUCF 107-108.2	36	108.2	31	51.5	126.5	75	71	M36	38	20	3.50	97	167	2862
NUCF 123	42	123	37	51.5	139.5	88	80	M42	44	24	4.50	135	242	2891
NUCF 148	45	149	45	54	142	88	103	M45	44	24	7.50	188	370	2757

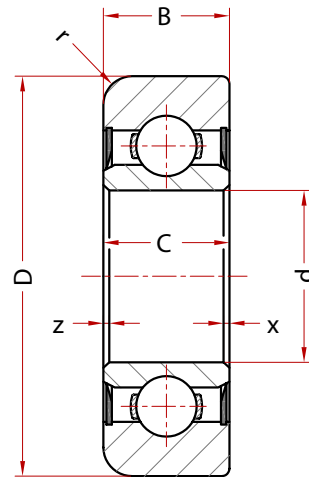
Radial Precision Bearings with Stud for "C" milled profiles



Unit: mm

Code	Dimensions										Weight, kg	Radial Load Rating		Steel Profile Nr.
	d	D	B	C	E	F	A	G	L	Ch		Dinamic C KN	Static Co KN	
NUCF 062-64.8	24	64.8	20	29.5	79	49.5	42	M24x1.5	25	14	0.80	39	65	2890 F
NUCF 070-73.8	24	73.8	23	34	83.5	49.5	48	M24x1.5	25	14	1.00	57	96	2867 F
NUCF 077-81.8	30	81.8	23	34	97	63	54	M30x1.5	32	20	1.60	60	106	2810 F
NUCF 088-92.8	30	92.8	30	41	104	63	59	M30x1.5	32	20	2.00	85	132	2811 F
NUCF 107-111.8	36	111.8	31	51.5	126.5	75	71	M36	38	20	3.50	97	167	2862 F
NUCF 123-127.8	42	127.8	37	51.5	139.5	88	80	M42	44	24	4.50	135	242	2891 F
NUCF 149-153.8	45	153.8	45	54	142	88	103	M45	44	24	7.50	188	370	2757 F

Yoke Type Track Rollers for "C" profiles

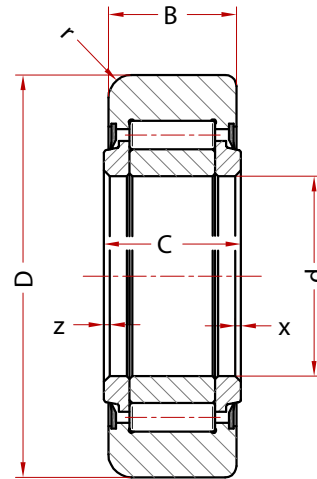


Unit: mm

Code	Dimensions							Weight, kg	Radial Load Rating		Steel Profile Nr.
	d	D	B	C	r	z	x		Dinamic C KN	Static Co KN	
FLB 2562	25	62.5	20	20	3	0.5	1.5	0.30	14.38	9.81	2890
FLB 3070	30	70.4	22	22	5	0.5	1.5	0.40	19.87	13.85	2867
FLB 3078	30	78.1	22	22	5	0.5	1.5	0.50	20.12	14.20	2810

Sealed bearings, not relubricable.

Yoke Type Track Rollers for "C" profiles

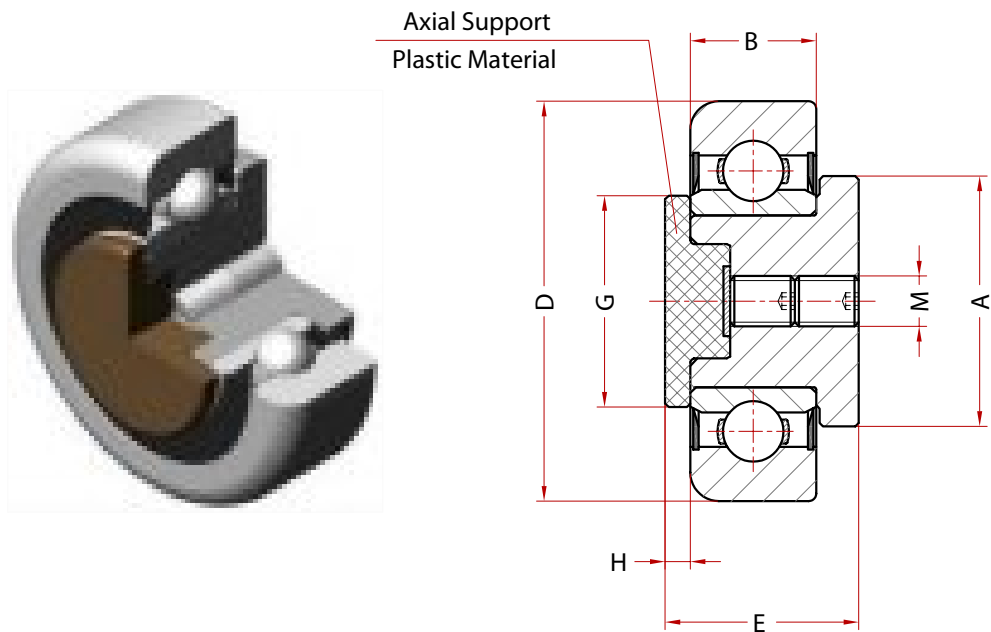


Unit: mm

Code	Dimensions							Weight, kg	Radial Load Rating		Steel Profile Nr.
	d	D	B	C	r	z	x		Dinamic C KN	Static Co KN	
FLBR 3062	25	62.5	21	22	3	1	1	0.50	37.9	61.8	2890
FLBR 3570	35	70.4	23	24	5	1	1	0.60	54.6	87.6	2867
FLBR 3578	35	78.1	23	24	5	1	1	0.70	56.2	90.2	2810

Sealed bearings, not relubricable.

Yoke Type Track Rollers with stud for "C" profiles

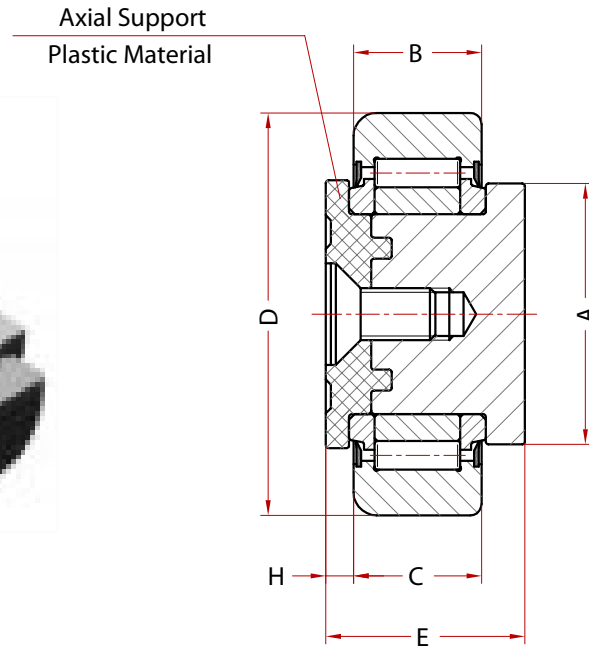


Unit: mm

Code	Dimensions							Weight, kg	Radial Load Rating		Steel Profile Nr.
	D	B	E	G	A	H	M		Dinamic C KN	Static Co KN	
GFLB 062	62.5	20	31	32	40	5	M10	0.50	14.38	9.81	2890
GFLB 070	70.4	22	36	40	45	5	M10	0.60	19.87	13.85	2867
GFLB 078	78.1	22	36	40	45	5	M10	0.70	20.12	14.20	2810

Sealed bearings, not relubricable.

Yoke Type Track Rollers with stud for "C" profiles



Unit: mm

Code	Dimensions						Weight, kg	Radial Load Rating		Steel Profile Nr.
	D	B	E	C	A	H		Dinamic C KN	Static Co KN	
GFLBR 062	62.5	21	31	26.5	45	4.5	0.60	37.9	61.8	2890
GFLBR 070	70.4	23	36	31.5	50	4.5	0.70	54.6	87.6	2867
GFLBR 078	78.1	23	36	31.5	50	4.5	0.80	56.2	90.2	2810

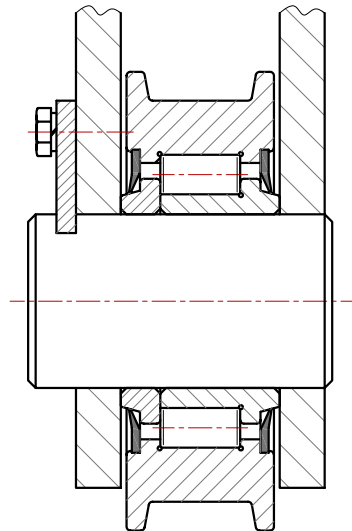
Sealed bearings, not relubricable.

CONTENTS

UNIT 4 - Chain Guide Rollers and Attachments

Examples	51
Chain guide rollers full complement cylindrical roller set.....	52
Chain guide rollers double row of balls, with cage	53
Chain guide rollers double ball bearings	54
Attachments for Fleyer chains.....	55

Chain Guide Rollers - Examples

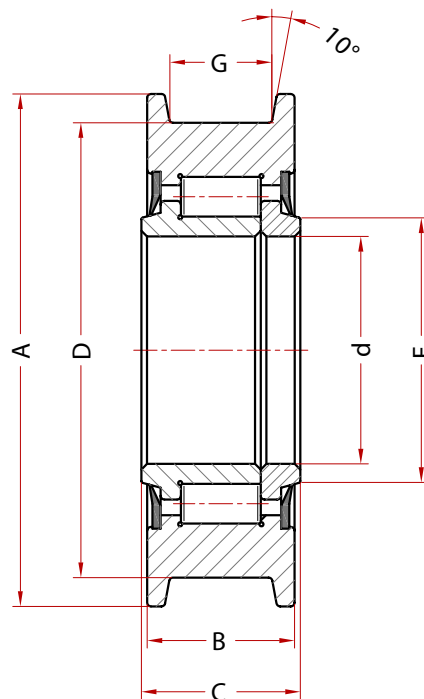


Are used as guide rollers for the chains in the lift masts of forklift trucks.

Are complete units consisting of a machined outer ring, rolling element set, with inner ring, end washer and lip seals.

Are greased with lithium soap grease to DIN 51825-K3N-30

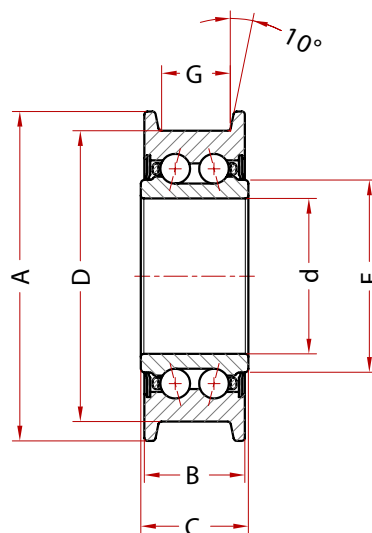
Chain Guide Rollers full complement cylindrical roller set



Unit: mm

Code	Dimensions							Weight, kg	Radial Load Rating		Chain Type Nr.
	d	D	A	B	C	G	E		C _{KN}	C ₀ _{KN}	
E 0200	40	70	78	25	26.5	19	50	0.50	53	69	BL 534
E 0210	40	80	90	26	28	19	50	0.80	60	81	BL 534
E 0220	40	80	98	41	43	33	50	1.20	76	105	BL 634
E 0230	40	85	98	36	38	28	50	1.20	97	130	BL 634
E 0240	50	100	115	40	42	33	60	1.70	107	142	BL 834
E 0250	55	110	135	56	58	45	65	1.70	162	220	BL 846
E 0260	55	130	158	65	67	55	65	3.50	245	346	BL 1046
E 1000	80	157	187	88	68	72	100	4.80	232	431	BL 1246
E 1100	100	184	218	106	85	88	130	16.4	356	583	BL 1466
E 1200	110	212	256	120	95	98	150	24.0	510	856	BL 1666
E 1300	110	212	256	150	125	128	150	29.3	695	1050	BL 1688

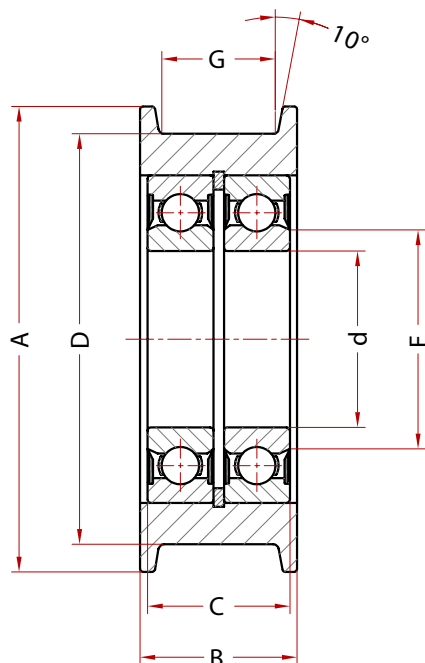
Chain Guide Rollers double row of balls, with cage



Unit: mm

Code	Dimensions							Weight, kg	Radial Load Rating		Chain Type Nr.
	d	D	A	B	C	G	E		C _{KN}	C ₀ _{KN}	
E 0200 SF	40	70	78	25	26.5	19	50	0.50	26.2	33.5	BL 534
E 0210 SF	40	80	90	26	28	19	50	0.80	26.2	33.5	BL 534
E 0220 SF	40	80	98	41	43	33	50	1.20	38.8	46.7	BL 634
E 0230 SF	40	85	98	36	38	28	50	1.20	38.8	46.7	BL 634
E 0240 SF	50	100	115	40	42	33	60	1.70	54.2	60.8	BL 834
E 0250 SF	55	110	135	56	58	45	65	1.70	59.4	69.2	BL 846
E 0260 SF	55	130	158	65	67	55	65	3.50	74.6	88.3	BL 1046

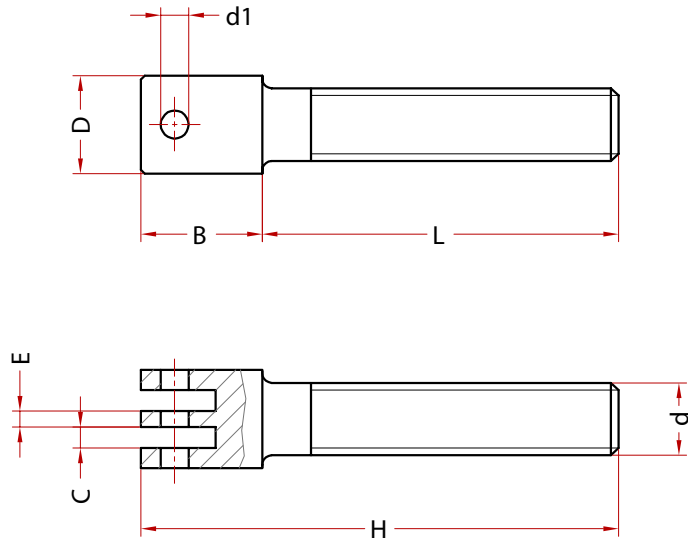
Chain Guide Rollers with double balls bearings



Unit: mm

Code	Dimensions							Weight, kg	Radial Load Rating		Chain Type Nr.
	d	D	A	B	C	G	E		C KN	C ₀ KN	
RGC 0100	30	70	86	28	27.5	21.5	38	0.50	22.6	16.6	BL 534
RGC 0200	30	80	96	28	27.5	21.5	38	0.80	22.6	16.6	BL 534
RGC 0300	40	90	106	32	31.5	21.5	49	1.30	28.6	23.2	BL 534
RGC 0400	40	85	104	38	31.5	29	49	1.20	28.6	23.2	BL 634
RGC 0500	40	90	109	38	38	29	52	1.40	52.2	38.1	BL 634
RGC 0600	40	110	129	42	38	29	52	1.55	52.2	38.1	BL 634
RGC 0700	50	100	126	44	34	33.5	59	1.70	36.8	32.1	BL 834
RGC 0800	50	115	141	44	42.5	33.5	62	1.80	59.7	46.4	BL 834
RGC 0900	55	110	136	62	38.5	48.5	66	2.00	47.8	42.4	BL 846
RGC 1000	55	140	166	62	44.5	48.5	69	2.20	74.2	58.1	BL 846
RGC 1100	60	130	162	68	46.5	58	75	3.50	80.8	65.1	BL 1046
RGC 1200	60	160	192	68	46.5	58	75	4.20	80.8	65.1	BL 1046

Attachments for Fleyer Chain



Unit: mm

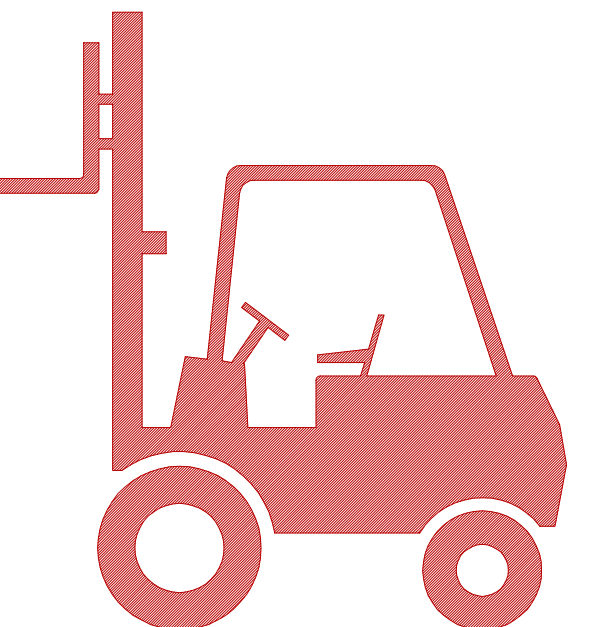
Code	Dimensions								Weight, kg	Chain Type Nr.
	D	C	E	d1	d	B	L	H		
TBL 534-16-125	21	5	2.4	6	M16	26	84	125	0.25	BL 534
TBL 566-16-140	30	5	4.8	6	M16	31	99	140	0.31	BL 566
TBL 634-18-125	30	6.8	3.2	8	M18	33	64	125	0.30	BL 634
TBL 846-20-200	46	12.8	8	9.6	M20	40	150	200	0.80	BL 846
TBL 866-24-200	64	8.5	8	9.6	M24	40	130	200	1.20	BL 866

CONTENTS

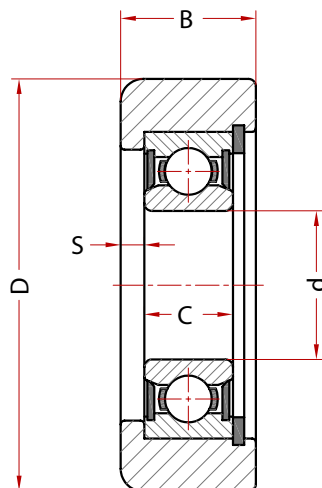
UNIT 5 - Forklift Bearings

Suitable CATERPILLAR	57 - 58
Suitable CLARK	59 - 60
Suitable CTC	61 - 62
Suitable ELECAR	63 - 66
Suitable FIAT-OM	67 - 80
Suitable HYSTER	81 - 82
Suitable JUNGHEINRICH	83 - 84
Suitable LINDE	85 - 88
Suitable LUGLI	89 - 90
Suitable NISSAN	91 - 92
Suitable PGS-LTE	93 - 96
Suitable STEINBOCK	97 - 98
Suitable STILL	99 - 102
Suitable TOYOTA	103 - 104

CATERPILLAR

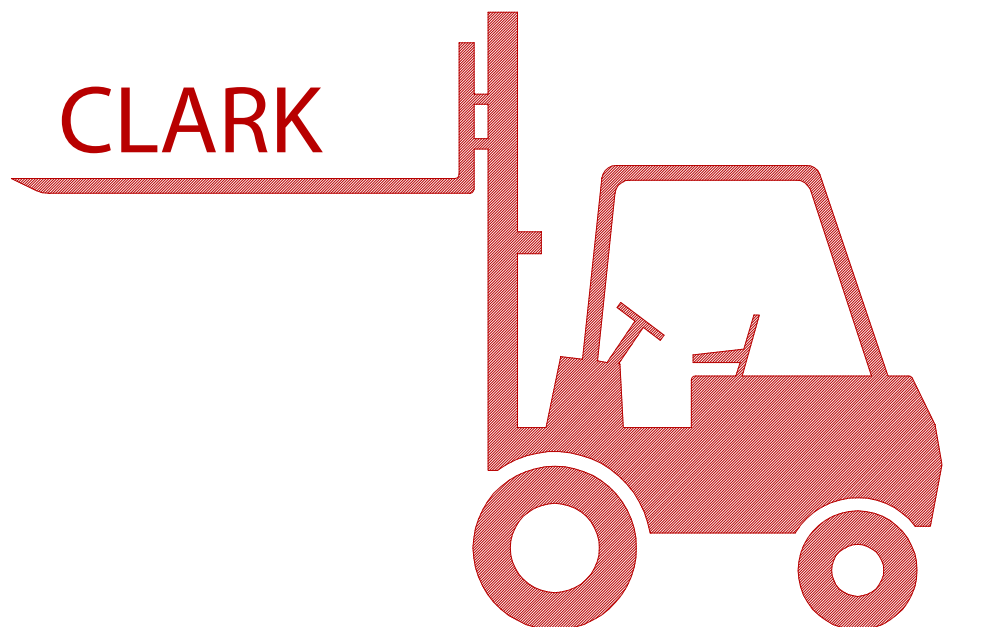


Suitable "CATERPILLAR"

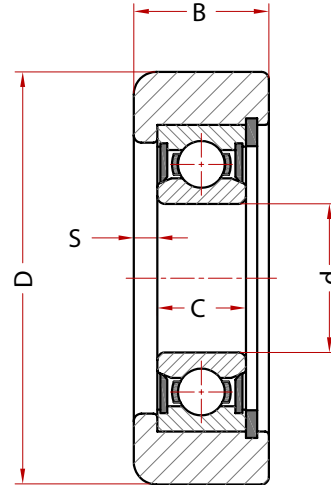


Unit: mm

Code	Dimensions					Weight, kg
	d	D	B	C	S	
C 0030	35	101.5	28.5	21	3	-
C 0070	45	127	33.5	25	4	-

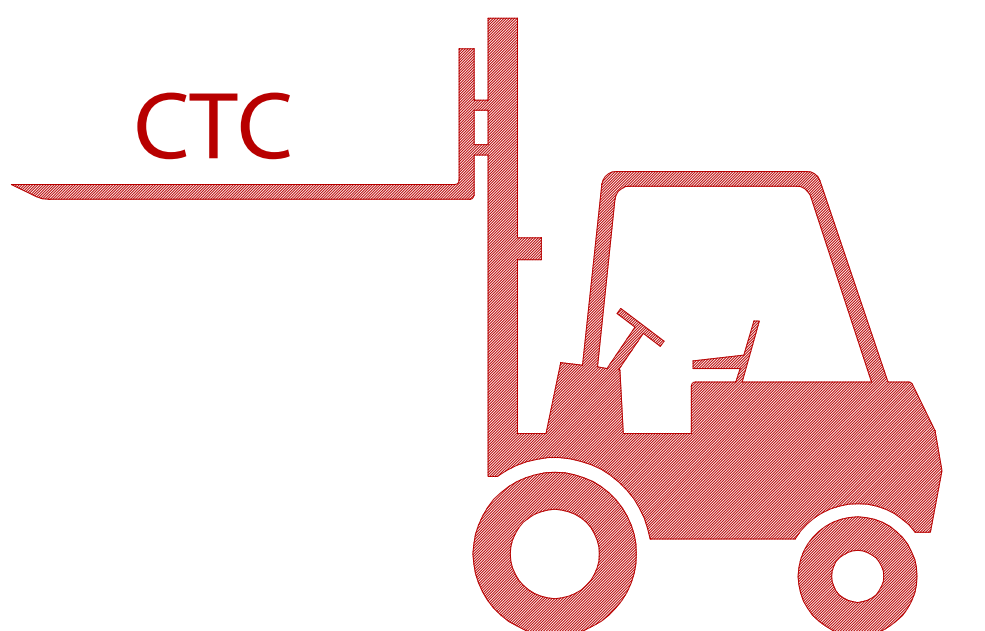


Suitable "CLARK"

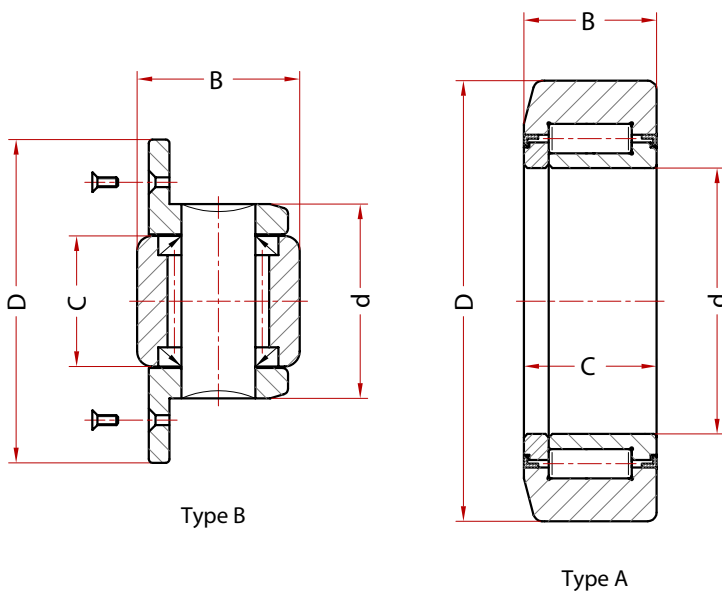


Unit: mm

Code	Dimensions					Weight, kg
	d	D	B	C	S	
C 0010	30	88.9	25.5	19	3	-
C 0020	35	95	25.5	17	4	-
C 0030	35	101.5	28.5	21	3	-
C 0040	40	101.5	28.5	23	3	-
C 0050	40	102.5	28.5	23	3	-
C 0060	40	115	28.5	23	3	-
C 0070	45	127	33.5	25	4	-

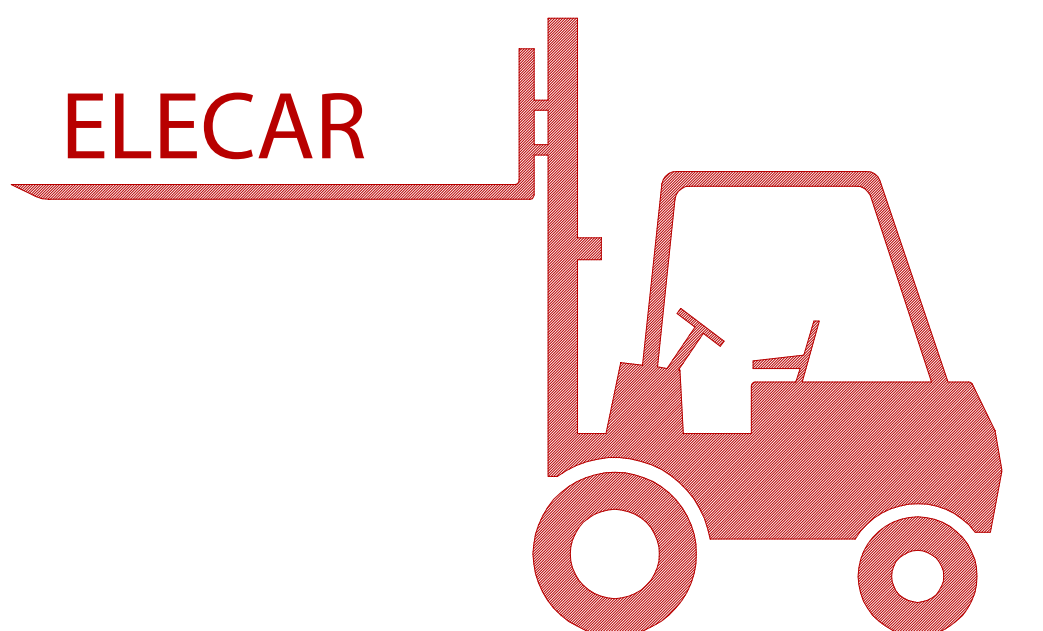


Suitable "CTC"

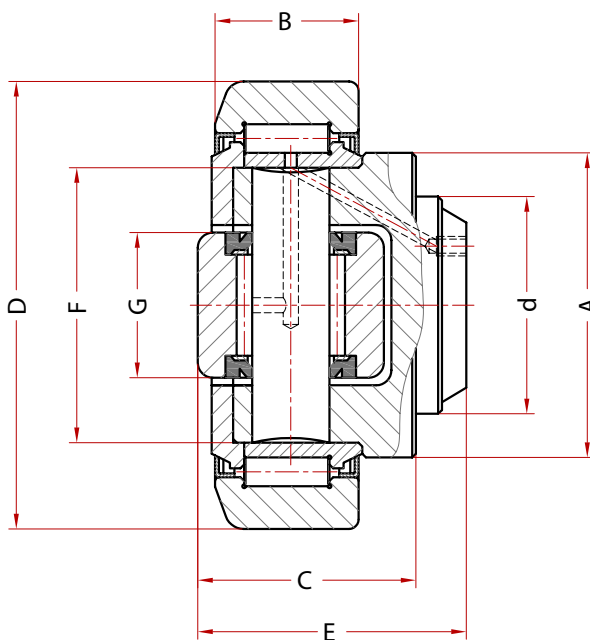


Unit: mm

Code	Dimensions				Weight, kg	Type
	d	D	B	C		
E 0310/RAD	42	70.1	23	24	0.35	A
E 0320/RAD	46	77.7	23	24	0.45	A
P 0150	25	40	22	16	0.20	B
P 0160	33	52	28	21	0.25	B



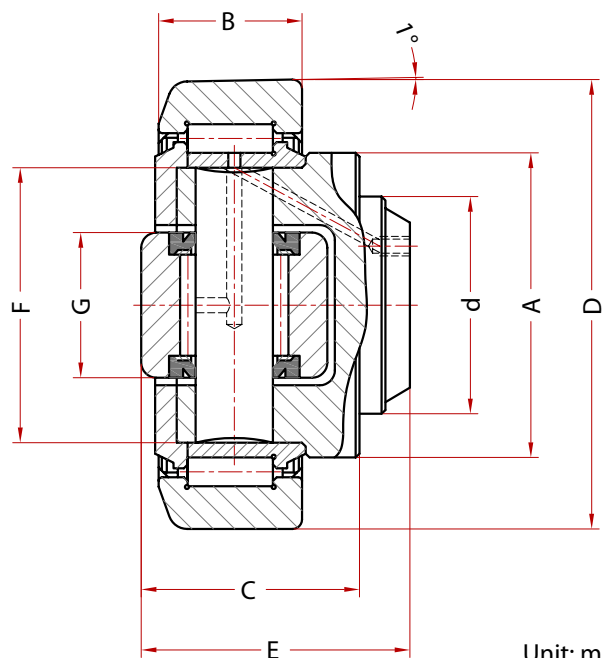
Suitable "ELECAR"



Unit: mm

Code	Dimensions								Weight, kg
	d	D	B	E	C	G	F	A	
E 0010	30	62	20	37.5	30.5	20	38	42	0.52
E 0020	35	70.1	23	44	36	22	42	48	0.78
E 0030	40	77.7	23	48	36.5	24	46	54	1.20
E 0040	45	88.9	30	57	44	26	50	59	1.61
E 0050	60	107.7	31	69	55	34	63	71	2.69
E 0060	60	123.1	37	72.3	56	40	71	80	3.88
E 0065	60	129.4	33	56.5	42.5	40	71	78	3.50
E 0070	60	149	43	78.5	58.5	50	90	103	6.65
E 0075	60	160	43	78.5	58.5	50	90	103	7.10
E 0085	60	165	36	61	46	60	90	113	6.40

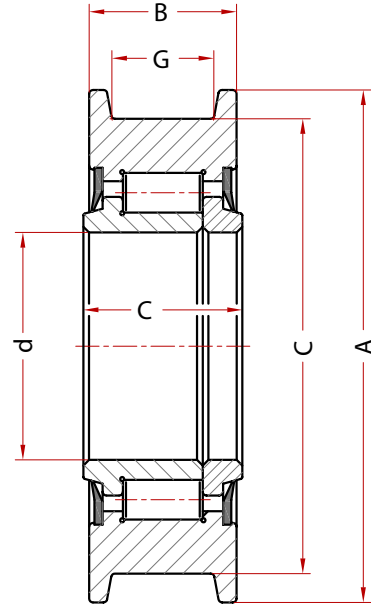
Suitable "ELECAR"



Unit: mm

Code	Dimensions								Weight, kg
	d	D	B	E	C	G	F	A	
E 0100	35	70.35	23	40.5	30.5	22	42	48	0.75
E 0110	40	78.3	23	40.7	29	24	46	54	0.90
E 0115	45	89.25	30	50	37.5	26	50	59	1.60
E 0120	50	101.9	28	46	33	30	58	67	1.80
E 0130	55	108.5	31	53	39	34	63	71	2.30
E 0135	60	123.5	33	57	42	40	71	78	3.30

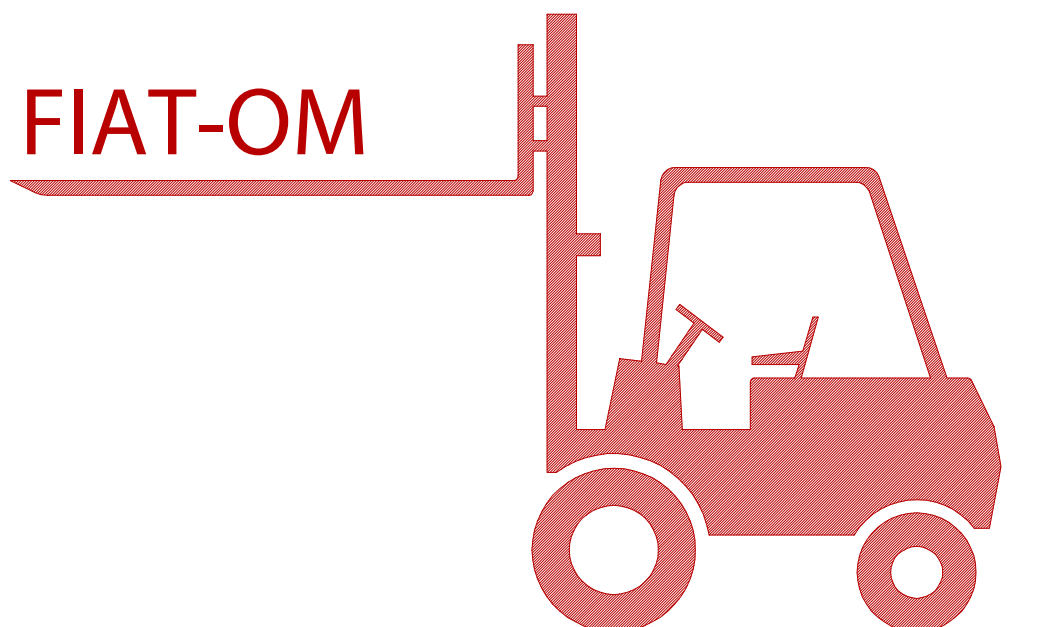
Suitable "ELECAR"



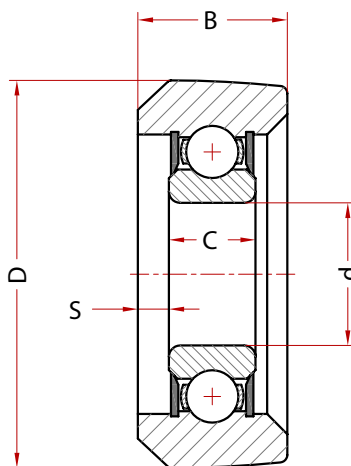
Unit: mm

Code	Dimensions						Weight, kg
	d	D	B	C	D1	G	
E 0200	40	70	25	26.5	78	19	0.50
E 0210	40	80	26	28	90	19	0.75
E 0220	40	80	41	43	98	33	1.20
E 0230	40	85	36	38	98	28	1.20
E 0240	50	100	40	42	115	33	1.70
E 0250	50	110	56	58	135	45	1.80
E 0260	50	130	65	67	158	55	3.50

FIAT-OM



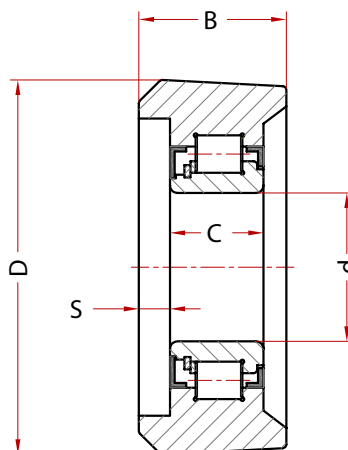
Suitable "FIAT-OM"



Unit: mm

Code	Dimensions					Weight, kg
	d	D	B	C	S	
F 0010 S	20	62.2	28.5	15	8	0.45
F 0020 S	28	75.2	35	18	9.5	0.66
F 0030 S	35	88.2	37	24	9.5	0.82
F 0040 S	40	101.2	40	25	8.5	1.25

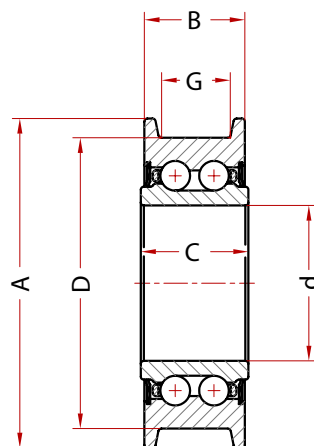
Suitable "FIAT-OM"



Unit: mm

Code	Dimensions					Weight, kg
	d	D	B	C	S	
F 0020 R	28	75.2	35	18	9.5	0.66
F 0030 R	35	88.2	37	24	9.5	0.82
F 0040 R	40	101.2	40	25	8.5	1.25

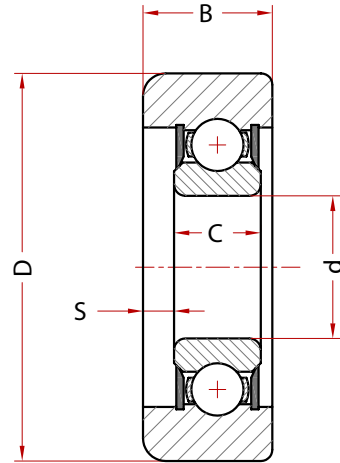
Suitable "FIAT-OM"



Unit: mm

Code	Dimensions						Weight, kg
	d	D	B	C	A	G	
F 0300	30	82	32	33.5	97	22	0.80
F 0310	35	105	40	41	120	31	1.10

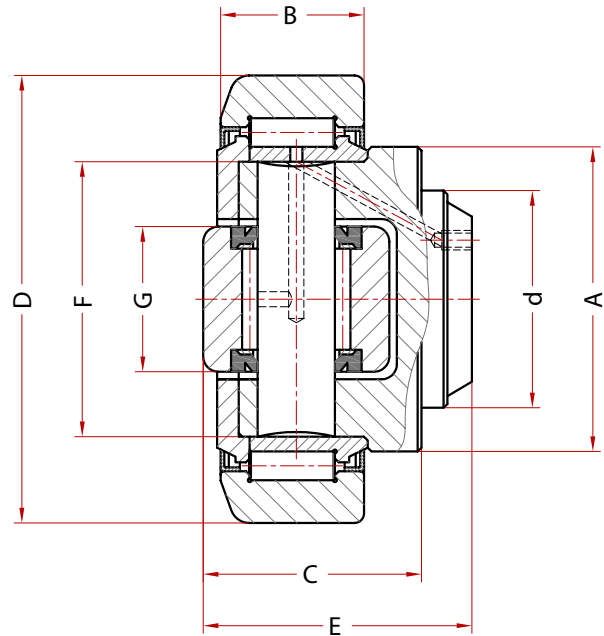
Suitable "FIAT-OM"



Unit: mm

Code	Dimensions					Weight, kg
	d	D	B	C	S	
F 0050	25	75.4	26	17	4.5	0.50
F 0060	28	77.2	27	18	7.5	0.60
F 0070	35	88.2	30	21	7.5	0.78
F 0075	35	100	36	21	7.5	1.60
F 0080	40	101	34	25	7.5	1.21

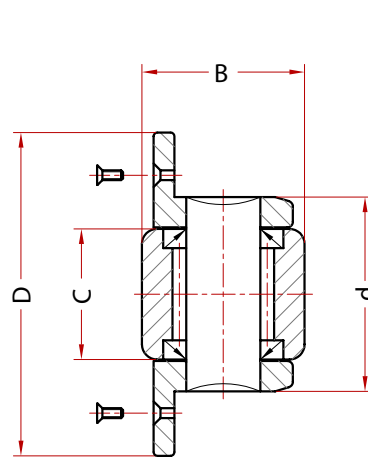
Suitable "FIAT-OM"



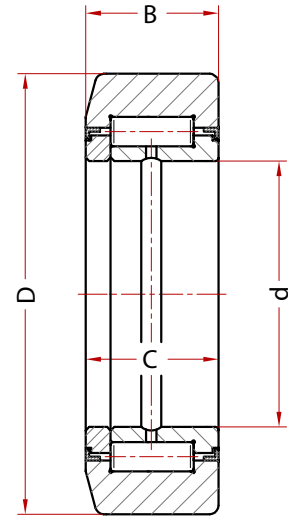
Unit: mm

Code	Dimensions								Weight, kg
	d	D	B	E	C	G	F	A	
F 0350	40	77.7	26.5	48	36.8	24	45.7	54	1.20
F 0360	45	88.4	30	57	44	20	46.8	60	1.61
F 0370	60	107.7	36	69	55	26	60	73	2.69

Suitable "FIAT-OM"



Type B

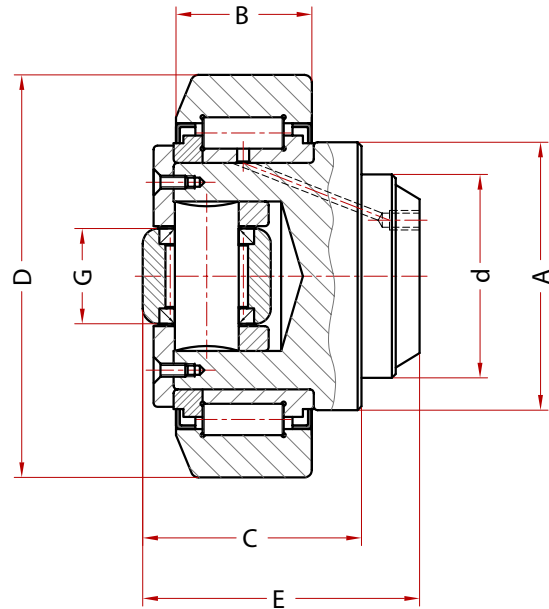


Type A

Unit: mm

Code	Dimensions				Weight, kg	Type
	d	D	B	C		
F 0200	60	107.5	36	37	2.10	A
F 0210	65	123	37	38	3.15	A
F 0220	82	149	45	46	4.10	A
F 0230	45	73	36	26	0.35	B
F 0240	48	74	38	33	0.40	B
F 0250	61	87	47	42	0.95	B
F 0270	72	105	55	50	1.30	B
F 0280	65	124.2	37	40	3.25	A
F 0290	95	185	47	48	6.10	A

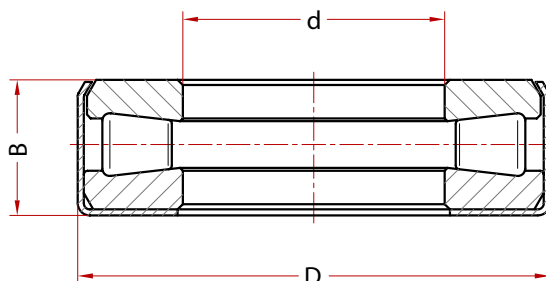
Suitable "FIAT-OM"



Unit: mm

Code	Dimensions							Weight, kg
	d	D	B	E	C	G	A	
F 2000	60	107.5	36	69	55	26	70	3.50
F 2100	60	123	37	72	56	33	75	4.10
F 2200	60	149	45	77	57	42	92	6.80

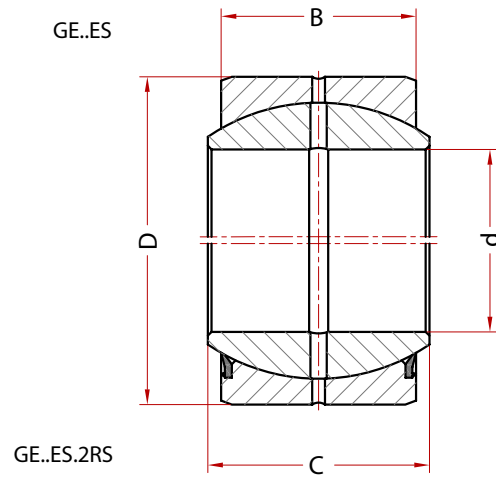
Suitable "FIAT-OM"



Unit: mm

Code	Dimensions			Weight, kg
	d	D	B	
F 0400	27	58	15.5	0.16
F 0410	28	55	15.5	0.14
F 0420	30	66.7	19.5	0.29
F 0430	32	67	20	0.30
F 0440	48.5	81.8	24	0.52

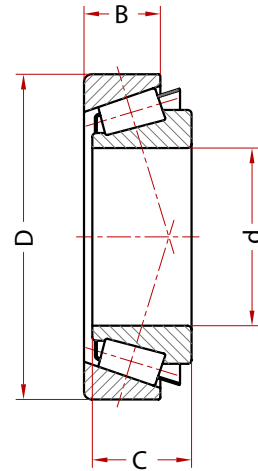
Suitable "FIAT-OM"



Unit: mm

Code	Dimensions				Weight, kg
	d	D	B	C	
GE 17 ES	17	30	10	14	0.0410
GE 20 ES	20	35	12	16	0.0660
GE 25 ES	25	42	16	20	0.1190
GE 25 ES.2RS	25	42	16	20	0.1190
GE 30 ES	30	47	18	22	0.1530
GE 30 ES.2RS	30	47	18	22	0.1530
GE 35 ES	35	55	20	25	0.2330
GE 35 ES.2RS	35	55	20	25	0.2330
GE 40 ES.2RS	40	62	22	28	0.3060

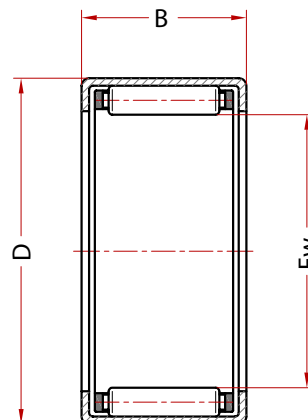
Suitable "FIAT-OM"



Unit: mm

Code	Dimensions				Weight, kg
	d	D	B	C	
30203	17	40	11	12	0.08
30303	17	47	12	14	0.13
30205	25	47	11.5	15	0.15
32006	30	55	13	17	0.17
31306	30	72	14	19	0.40
30306	30	72	16	19	0.39
32007	35	62	14	18	0.22
32207	35	72	19	23	0.27
30208	40	68	14.5	22	0.42
31308	40	90	17	23	0.75
32209	45	85	19	23	0.37
33209	45	85	25	32	0.78
32011	55	90	17.5	23	0.55
33211	55	100	27	35	1.21
32012	60	95	17.5	23	0.59
30312	60	130	26	31	1.95
30315	70	160	31	37	3.45
33015	75	115	25.5	31	1.12
33116	80	130	29	37	1.93
32019	95	145	24	32	1.80
30220	100	150	24	32	3.65

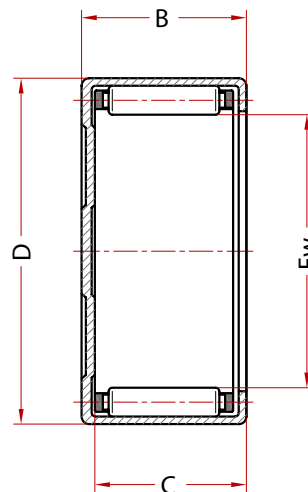
Suitable "FIAT-OM"



Unit: mm

Code	Dimensions			Weight, kg
	Fw	D	B	
HK 2216	22	28	16	0.0209
HK 2526	25	32	26	0.0448
HK 2538	25	32	38	0.0647
HK 3038	30	37	38	0.0761
HK 4020	40	47	20	0.0518

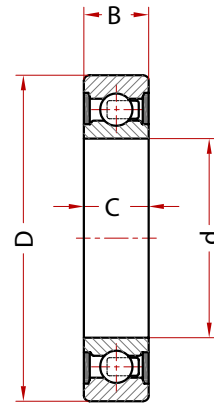
Suitable "FIAT-OM"



Unit: mm

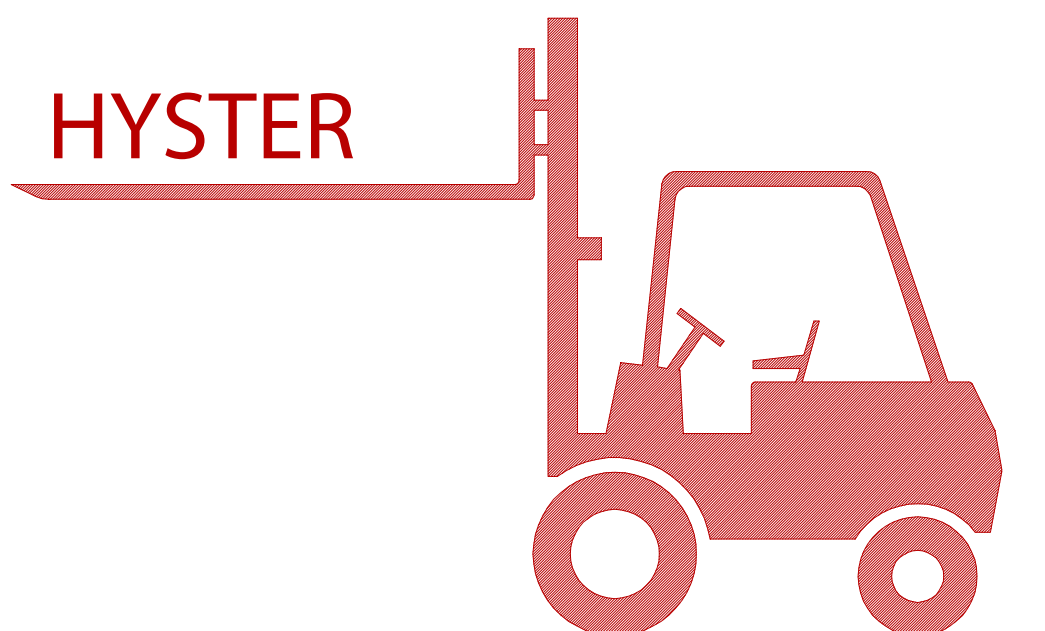
Code	Dimensions				Weight, kg
	Fw	D	B	C	
BK 2216	22	28	16	13.3	0.0243
BK 2520	25	32	20	17.3	0.0387
BK 2538	25	32	38	35.3	0.0690

Suitable "FIAT-OM"

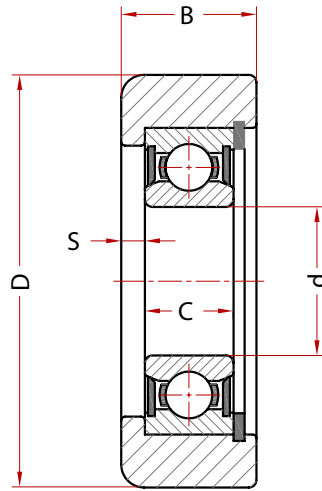


Unit: mm

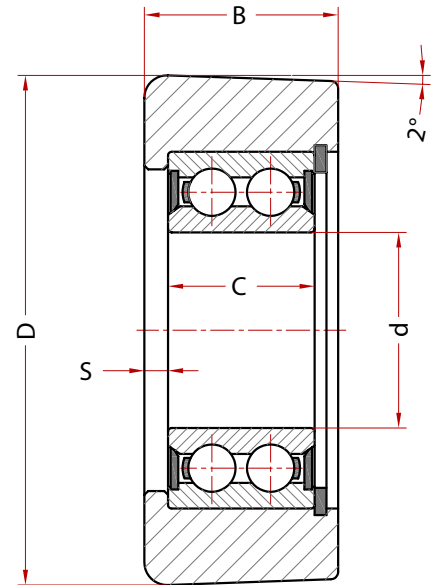
Code	Dimensions				Weight, kg
	d	D	B	C	
608-2RS	8	22	7	7	0.012
6005-2ZR	25	47	12	12	0.080
6205-2RS	25	52	15	15	0.128
6205-2RS/C3	25	52	15	15	0.128
6305-ZR	25	62	17	17	0.232
6405	25	80	21	21	0.530
6006-2RS	30	55	13	13	0.116
6206-2ZR	30	62	16	16	0.199
6306-2RS	30	72	19	19	0.346
6306-2ZR	30	72	19	19	0.346
6007	35	62	14	14	0.155
6207-2ZR	35	72	17	17	0.288
6307/C3	35	80	21	21	0.457
61909-2RS	45	68	12	12	0.16
6218	90	160	30	30	2.15
6020	100	150	24	24	3.14



Suitable "HYSTER"



Type A

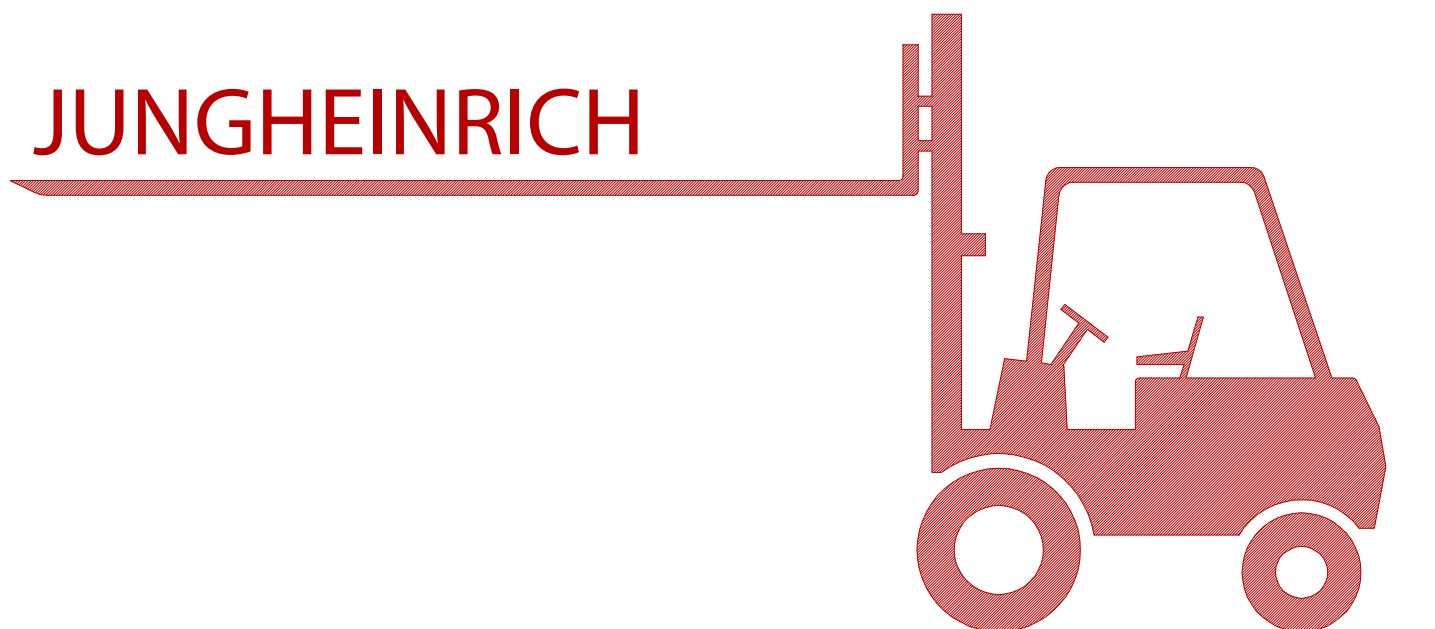


Type B

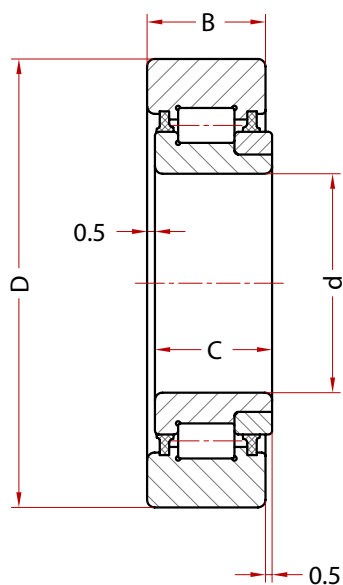
Unit: mm

Code	Dimensions					Weight, kg	Type
	d	D	B	C	S		
H 0010	35	111.1	30	21	5	-	A
H 0020	35	111.8	30	21	5	-	A
H 0030	35	112.6	30	21	5	-	A
H 0040	40	111.1	32	23	5	-	A
H 0050	40	111.8	32	23	5	-	A
H 0060	40	112.6	32	23	5	-	A
H 0070	40	103.5	43	30.2	8	-	B
H 0080	40	104.2	43	30.2	8	-	B
H 0090	40	105	43	30.2	8	-	B
H 0100	40	126.5	43	30.2	7	-	B
H 0110	40	127.3	43	30.2	7	-	B
H 0120	40	128	43	30.2	7	-	B

JUNGHEINRICH

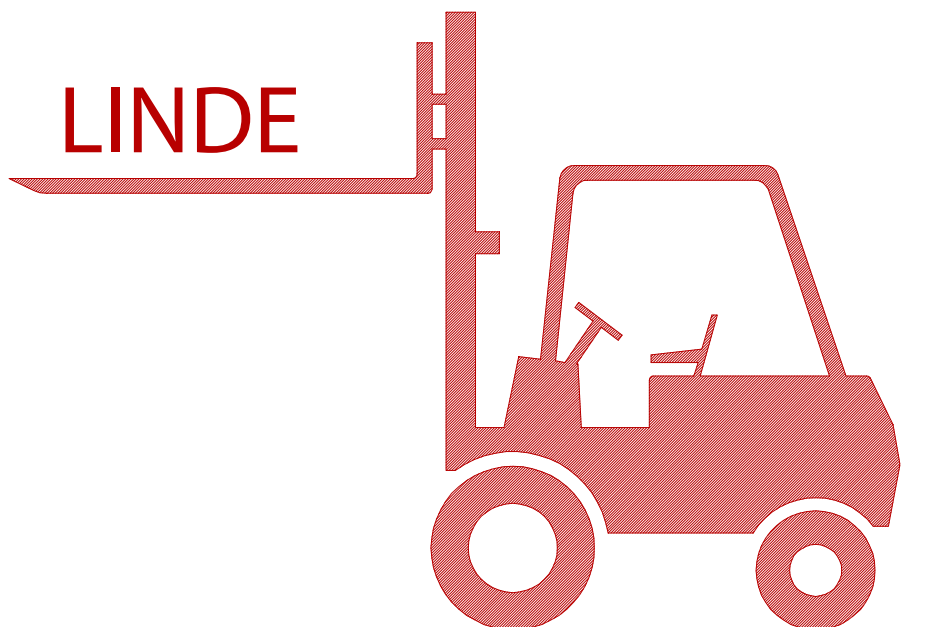


Suitable "JUNGHEINRICH"

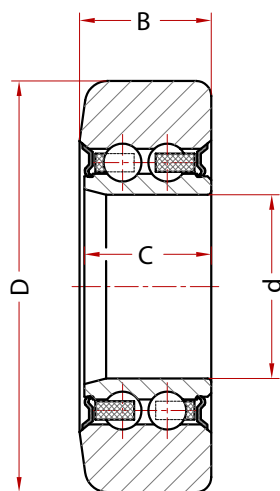


Unit: mm

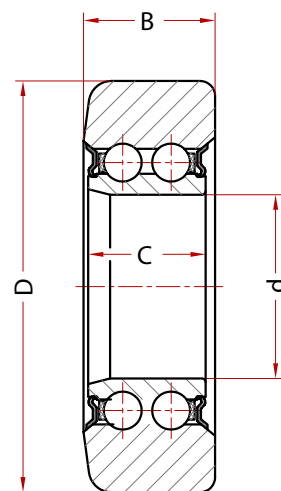
Code	Dimensions				Weight, kg
	d	D	B	C	
J 0010	30	62	16	16.1	0.30
J 0020	50	90	20	18.5	0.50



Suitable "LINDE"



Type A

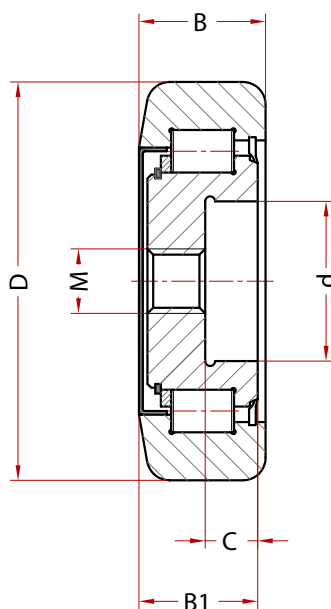


Type B

Unit: mm

Code	Dimensions				Weight, kg	Type
	d	D	B	C		
L 0010	30	75.3	24	23.5	0.65	A
L 0020	30	75.6	24	23.5	0.65	A
L 0030	30	75.9	24	23.5	0.65	A
L 0040	35	80.9	26	25.5	0.67	A
L 0050	35	81.2	26	25.5	0.67	A
L 0060	35	81.5	26	25.5	0.67	A
L 0070	40	89.9	29	27	1.00	A
L 0080	40	90.2	29	27	1.00	A
L 0090	40	90.5	29	27	1.00	A
L 0100	45	105.4	34	32	1.80	A
L 0110	45	105.8	34	32	1.80	A
L 0120	45	106.1	34	32	1.80	A
L 0130	65	135.1	42	35	2.70	B
L 0140	65	135.6	42	35	2.70	B
L 0150	65	136	42	34	2.70	B
L 0160	75	129.3	34	30	1.50	B
L 0170	75	130	34	30	1.50	B

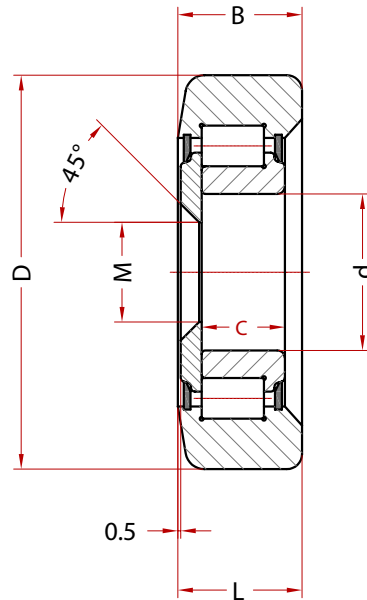
Suitable "LINDE"



Unit: mm

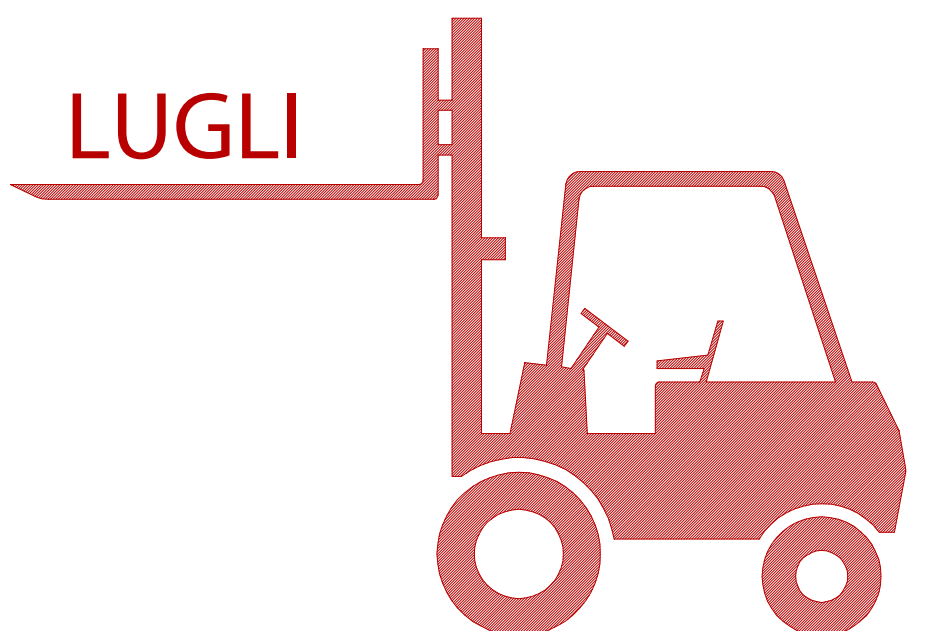
Code	Dimensions						Weight, kg
	d	D	B	C	B1	M	
L 0200	30	75	24	10	22	12	0.80
L 0210	30	76	24	10	22	12	0.80
L 0220	36	89.5	29	9.8	25	16	1.00
L 0230	36	90.5	29	9.8	25	16	1.00
L 0240	42	105	34	9.5	29.5	20	2.00
L 0250	42	105.6	34	9.5	29.5	20	2.00
L 0260	42	106.5	34	9.5	29.5	20	2.20

Suitable "LINDE"

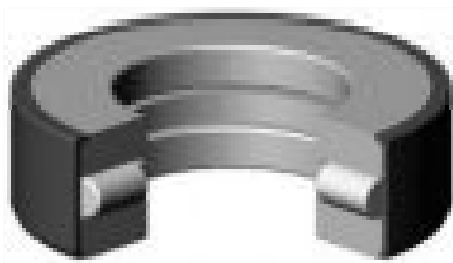
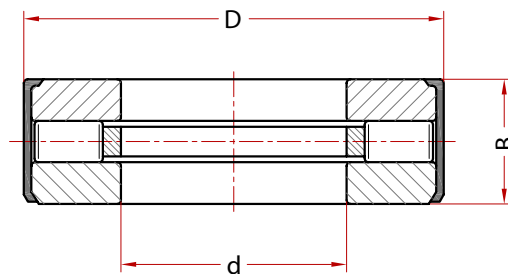


Unit: mm

Code	Dimensions						Weight, kg
	d	D	B	C	M	L	
S 0010	30	75.2	24	16.25	19	20.75	0.65
S 0040	30	75.7	24	16.25	19	20.75	0.65
S 0050	30	75.9	24	16.25	19	20.75	0.65
S 0060	30	76.2	24	16.25	19	20.75	0.65

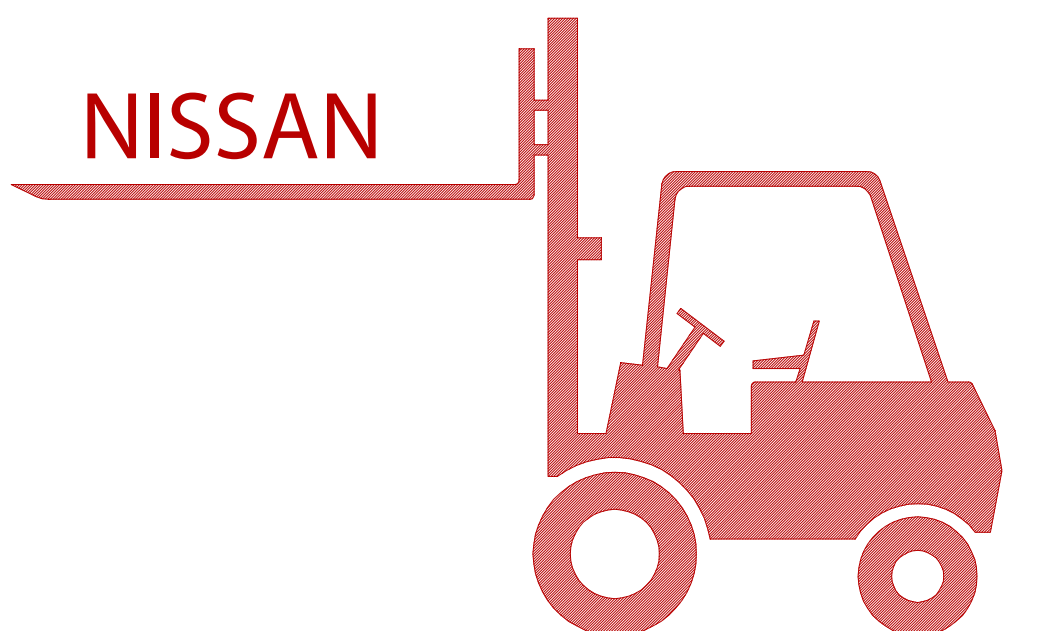


Suitable "LUGLI"

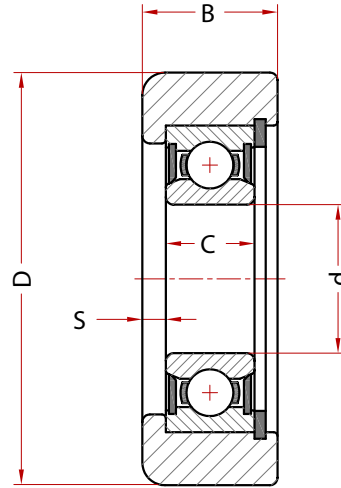


Unit: mm

Code	Dimensions			Weight, kg
	d	D	B	
LG 0100	30.3	65	15	0.30
LG 0150	35.3	65	15	0.25
LG 0200	40.2	72.8	21.5	0.40

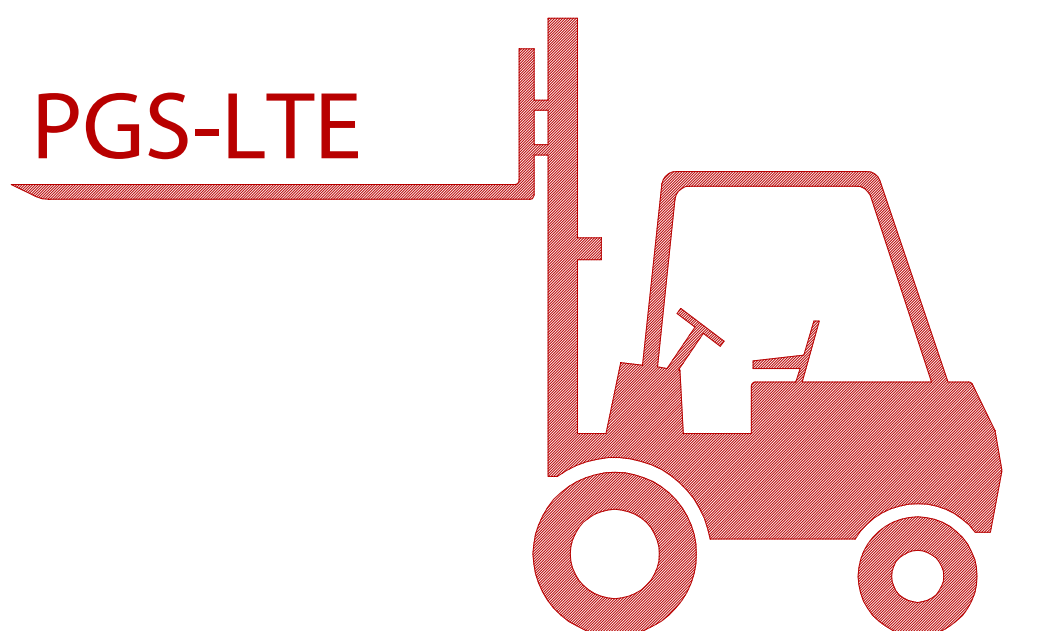


Suitable "NISSAN"

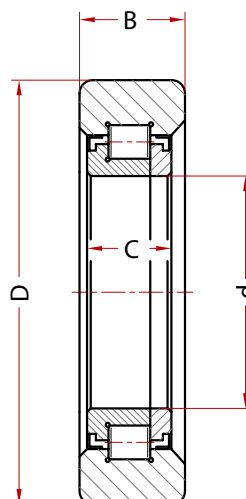


Unit: mm

Code	Dimensions					Weight, kg
	d	D	B	C	S	
N 0010	35	94	28	21	3.5	-
T 0030	35	94.5	28	21	3.5	-
N 0020	35	97	28	21	3.5	-
N 0030	35	97.5	28	21	3.5	-
N 0040	35	102.5	28	21	3.5	-
N 0045	35	103	28	21	3.5	-
N 0050	35	105	28	21	3.5	-
N 0060	35	105.5	28	21	3.5	-
N 0065	35	109	28	21	3.5	-
N 0070	35	109.5	28	21	3.5	-
N 0075	35	110	28	21	3.5	-
N 0080	40	115	32	23	4.5	-
N 0090	40	115.5	32	23	4.5	-
N 0092	40	116	32	23	4.5	-
N 0095	40	123	32	23	4.5	-
N 0100	40	123.5	32	23	4.5	-
N 0110	50	129	35	27	4	-
N 0120	60	150	45	31	7	-



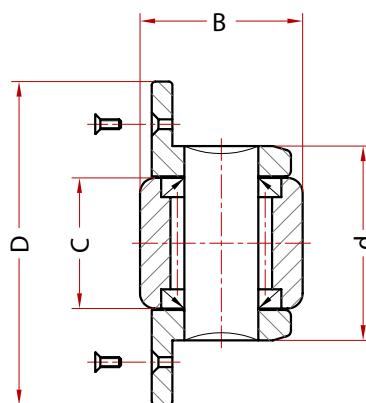
Suitable "PGS-LTE"



Unit: mm

Code	Dimensions				Weight, kg
	d	D	B	C	
P 0010	35	60.5	20	17.2	0.15
P 0020	45	73.4	21	17.2	0.20
P 0030	45	80.5	25	17	0.30
P 0050	55	100	25	20	0.50
P 0070	65	107.5	27	23	0.80
P 0080	65	120	33	23	1.00
P 0100	65	130	33	23	1.50

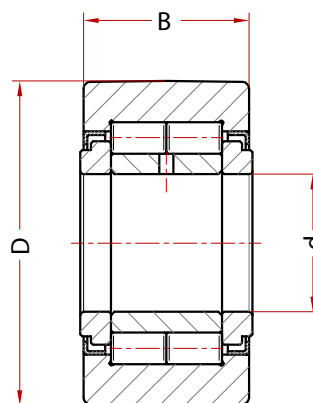
Suitable "PGS-LTE"



Unit: mm

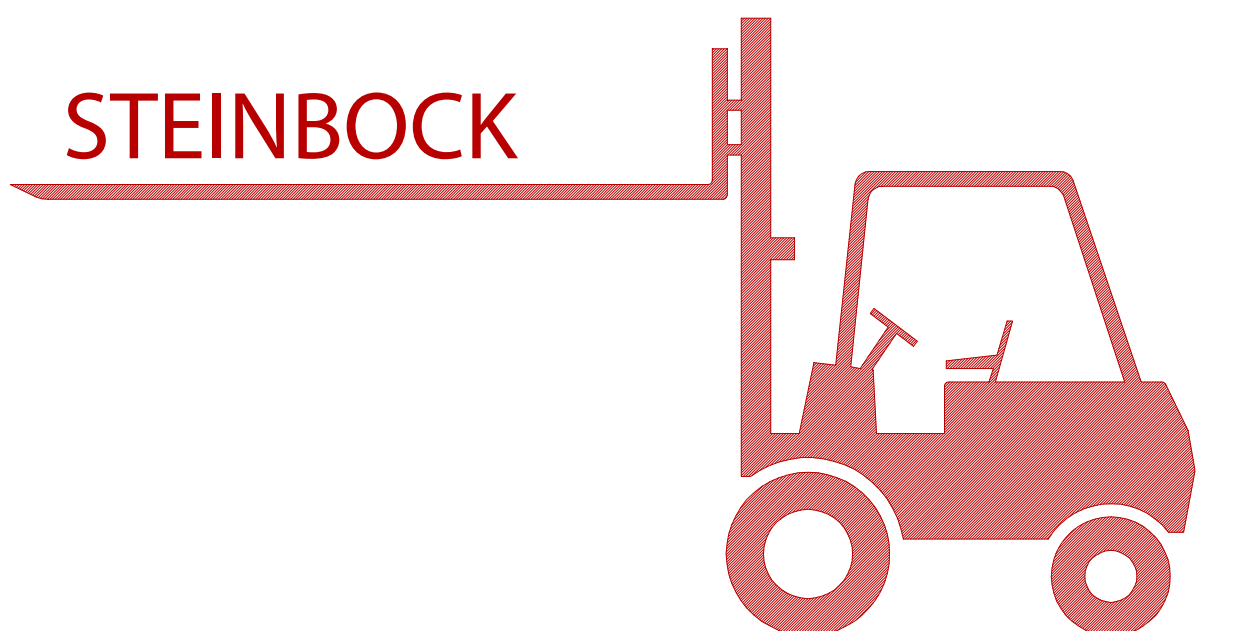
Code	Dimensions				Weight, kg
	d	D	B	C	
P 0150	25	40	22	16	0.20
P 0160	33	52	28	21	0.25
F 0240	48	74	38	33	0.40
F 0270	72	105	55	50	1.30

Suitable "PGS-LTE"

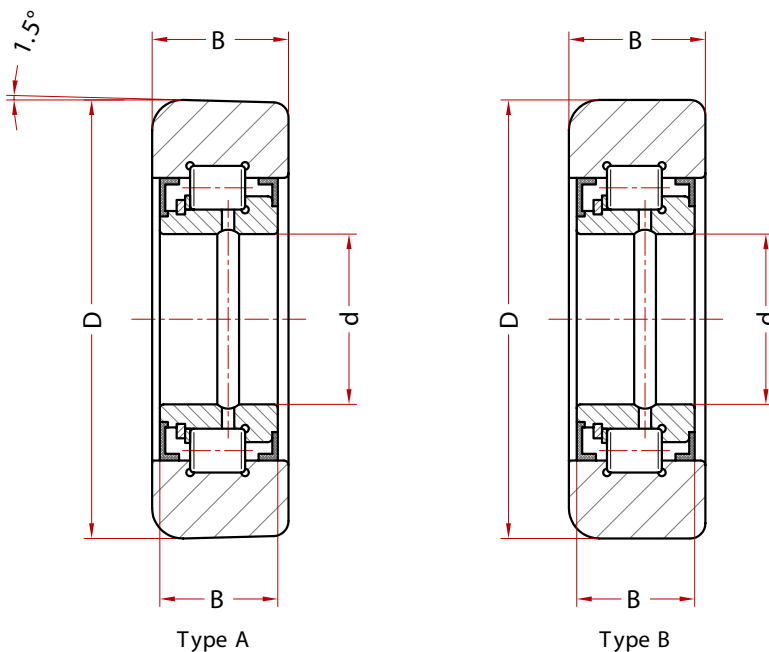


Unit: mm

Code	Dimensions				Weight, kg
	d	D	B	C	
P 0200	95	150	37	38	-
P 0210	95	165	47	48	-
P 0220	95	185	47	48	-
P 0230	120	185	50	52	-
P 0240	120	200	55	57	-
P 0250	120	220	60	62	-
P 0260	150	280	70	72	-

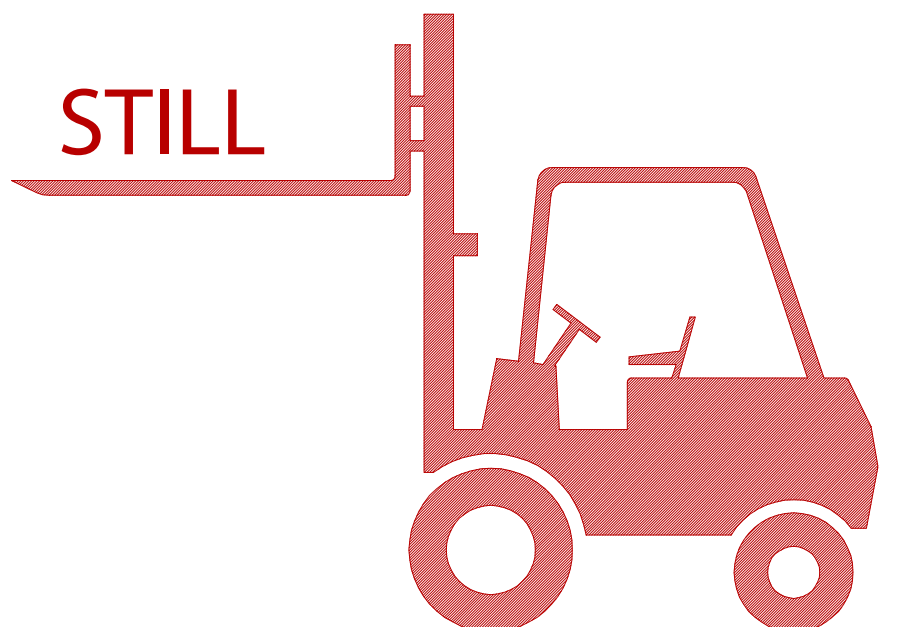


Suitable "STEINBOCK"

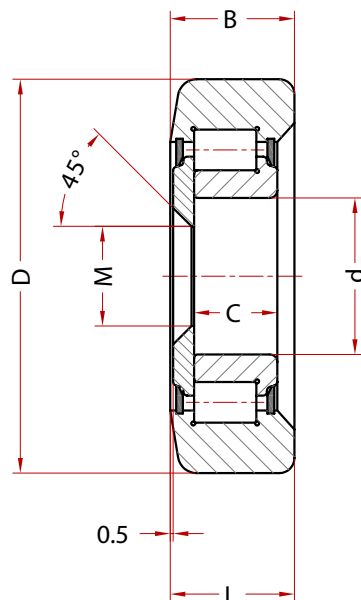


Unit: mm

Code	Dimensions				Weight, kg	Type
	d	D	B	C		
SK 0010	30	76	23	19	0.60	A
SK 0020	35	83.5	33	29.5	0.80	B
SK 0030	35	84.5	33	29.5	0.80	B
SK 0040	35	85.5	33	29.5	0.80	B
SK 0050	35	91.2	33	29.5	0.90	B
SK 0060	35	96.5	33	29.5	1.00	B
SK 0070	35	97.5	33	29.5	1.00	B
SK 0080	35	98.5	33	29.5	1.00	B



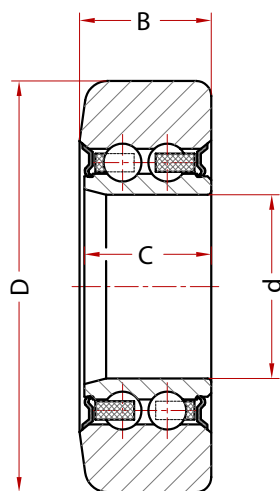
Suitable "STILL"



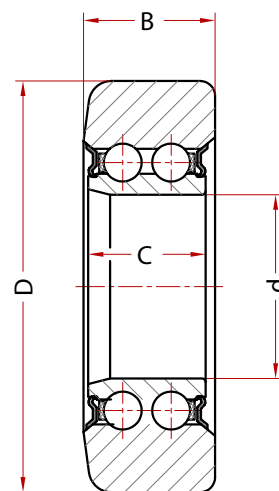
Unit: mm

Code	Dimensions						Weight, kg
	d	D	B	C	M	L	
S 0010	30	75.2	24	16.25	19	20.75	0.65
S 0020	30	75.3	24	16.25	19	20.75	0.65
S 0030	30	75.6	24	16.25	19	20.75	0.65
S 0040	30	75.7	24	16.25	19	20.75	0.65
S 0050	30	75.9	24	16.25	19	20.75	0.65
S 0060	30	76.2	24	16.25	19	20.75	0.65
S 0070	36	89.8	29	16.45	20	24.10	1.00
S 0074	36	89.9	29	16.45	20	24.10	1.00
S 0078	36	90.2	29	16.45	20	24.10	1.00
S 0080	36	90.3	29	16.45	20	24.10	1.00
S 0085	36	90.5	29	16.45	20	24.10	1.00
S 0090	36	90.8	29	16.45	20	24.10	1.00
S 0100	42	105.2	34	20.25	23	28.75	2.00
S 0110	42	105.7	34	20.25	23	28.75	2.00
S 0120	42	106.2	34	20.25	23	28.75	2.00

Suitable "STILL"



Type A

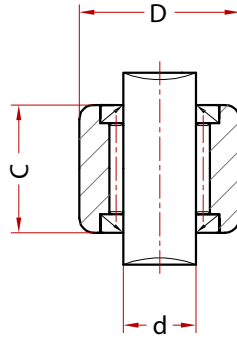


Type B

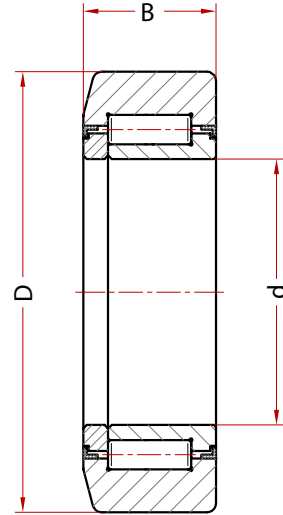
Unit: mm

Code	Dimensions				Weight, kg	Type
	d	D	B	C		
L 0040	35	80.9	26	25.5	0.67	A
L 0050	35	81.2	26	25.5	0.67	A
L 0060	35	81.5	26	25.5	0.67	A
S 0200	35	81.8	26	25.5	0.67	A
S 0210	45	105.2	34	28.8	1.80	B
S 0220	45	105.4	34	28.8	1.80	B
S 0230	45	105.7	34	28.8	1.80	B
S 0240	45	106.0	34	28.8	1.80	B
S 0250	45	106.2	34	28.8	1.80	B
S 0260	45	106.3	34	28.8	1.80	B
L 0130	65	135.1	42	35	2.70	B
L 0140	65	135.6	42	35	2.70	B

Suitable "STILL"



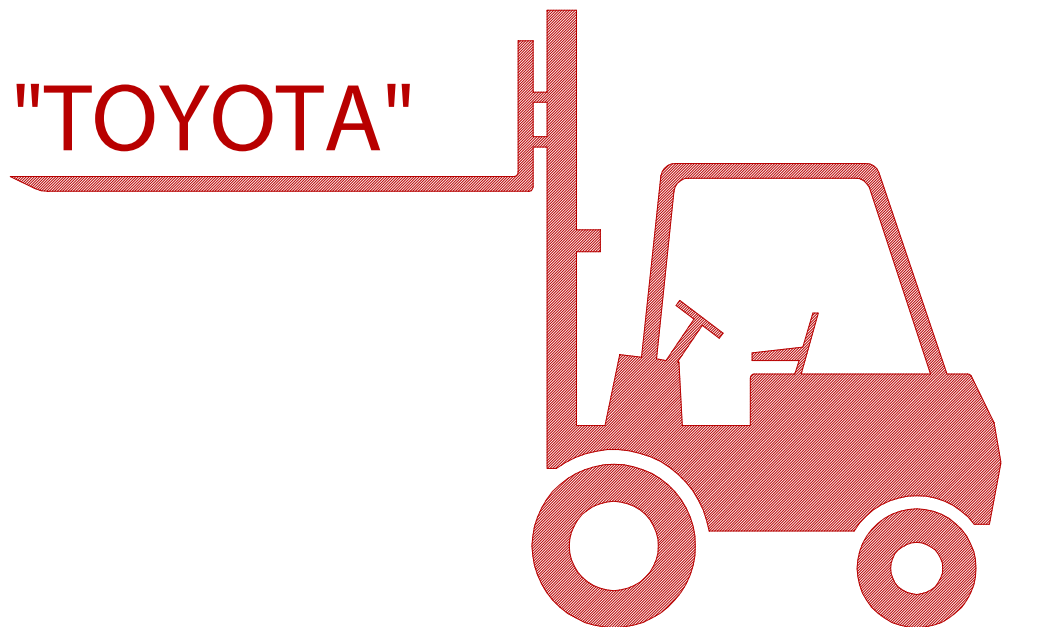
Type A



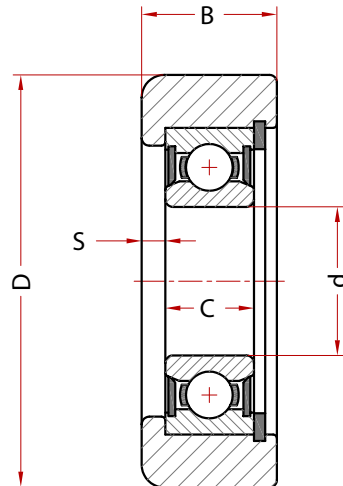
Type B

Unit: mm

Code	Dimensions			Weight, kg	Type
	d	D	B		
S 0300	45	90	23.4	0.80	B
S 0310	55	110	26	1.50	B
S 0320	15	30	32.6	0.20	A
S 0330	18	40	40.8	0.30	A



Suitable "TOYOTA"



Unit: mm

Code	Dimensions					Weight, kg
	d	D	B	C	S	
T 0010	25	79.5	24	17	3.5	-
T 0020	35	93	28	21	3.5	-
T 0030	35	94.5	28	21	3.5	-
T 0040	35	95	28	21	3.5	-
T 0050	35	114.5	28	21	3.5	-
T 0060	40	108.5	32	23	4.5	-
T 0070	40	109.7	32	23	4.5	-
T 0080	40	119.7	28	18	4.5	-
T 0090	40	125.5	32	23	4.5	-
T 0100	45	114.5	34	25	4.5	-
T 0110	45	124.5	34	25	4.5	-
T 0120	55	150	45	29	8	-