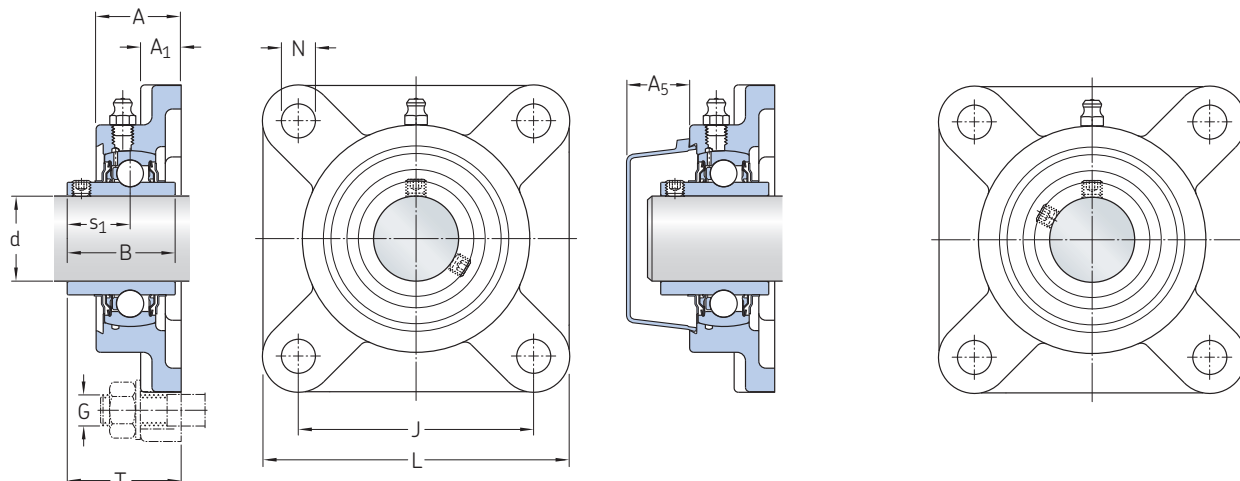


## Square flanged ball bearing units, grub screw locking, metric shafts

d 20 – 100 mm



UCF 204/H to UCF 213/H

 UCF 214 to UCF 218  
 UCF 306 to UCF 320

| Principal dimensions |            | Basic load ratings |                | Fatigue load limit | Limiting speed          | Mass         | Designations         | Associated end cover |
|----------------------|------------|--------------------|----------------|--------------------|-------------------------|--------------|----------------------|----------------------|
| d                    | J          | C                  | C <sub>0</sub> | P <sub>u</sub>     | with shaft tolerance h6 | kg           | Ball bearing unit    |                      |
| mm                   |            | kN                 |                |                    | r/min                   |              | –                    |                      |
| 20                   | 64         | 12,7               | 6,55           | 0,28               | 6 500                   | 0,53         | UCF 204/H            | ECY 204              |
| 25                   | 70         | 14                 | 7,8            | 0,335              | 5 850                   | 0,72         | UCF 205/H            | ECY 205              |
| 30                   | 83<br>95   | 19,5<br>26,5       | 11,2<br>15     | 0,475<br>0,64      | 5 000<br>5 300          | 1,05<br>1,75 | UCF 206/H<br>UCF 306 | ECY 206<br>–         |
| 35                   | 92<br>100  | 25,5<br>33,2       | 15,3<br>19,3   | 0,655<br>0,815     | 4 300<br>4 700          | 1,35<br>2,1  | UCF 207/H<br>UCF 307 | ECY 207<br>–         |
| 40                   | 102<br>112 | 30,7<br>41         | 19<br>24       | 0,8<br>1,02        | 3 750<br>4 200          | 1,8<br>2,65  | UCF 208/H<br>UCF 308 | ECY 208<br>–         |
| 45                   | 105<br>125 | 33,2<br>52,7       | 21,6<br>32     | 0,915<br>1,34      | 3 400<br>3 750          | 2,1<br>3,8   | UCF 209/H<br>UCF 309 | ECY 209<br>–         |
| 50                   | 111<br>132 | 35,1<br>61,8       | 23,2<br>38     | 0,98<br>1,6        | 3 300<br>3 400          | 2,4<br>4,95  | UCF 210/H<br>UCF 310 | ECY 210<br>–         |
| 55                   | 130<br>140 | 43,6<br>71,5       | 29<br>45       | 1,25<br>1,9        | 3 000<br>3 100          | 3,4<br>5,5   | UCF 211/H<br>UCF 311 | ECY 211<br>–         |
| 60                   | 143<br>150 | 52,7<br>81,9       | 36<br>52       | 1,53<br>2,2        | 2 700<br>2 900          | 4,05<br>7    | UCF 212/H<br>UCF 312 | ECY 212<br>–         |
| 65                   | 149        | 57,2               | 40             | 1,7                | 2 350                   | 5,35         | UCF 213/H            | ECY 213              |
| 70                   | 152        | 62                 | 44             | 1,86               | 2 250                   | 5,95         | UCF 214              | ECY 214              |
| 75                   | 159<br>184 | 66<br>114          | 49<br>76,5     | 2,04<br>3          | 2 100<br>2 300          | 6,2<br>11,6  | UCF 215<br>UCF 315   | ECY 215<br>–         |
| 80                   | 165<br>196 | 72<br>124          | 54<br>86,5     | 2,2<br>3,25        | 1 900<br>2 150          | 7,35<br>15,4 | UCF 216<br>UCF 316   | ECY 216<br>–         |
| 85                   | 175        | 83,2               | 64,0           | 2,5                | 1 800                   | 8,91         | UCF 217              | ECY 217              |
| 90                   | 187        | 96                 | 72             | 2,7                | 1 600                   | 11,5         | UCF 218              | ECY 218              |
| 100                  | 242        | 174                | 140            | 4,75               | 1 700                   | 29,8         | UCF 320              | –                    |

| Dimensions |              |                |                |            |            |          |          |                |            |
|------------|--------------|----------------|----------------|------------|------------|----------|----------|----------------|------------|
| d          | A            | A <sub>1</sub> | A <sub>5</sub> | B          | L          | N        | G        | s <sub>1</sub> | T          |
| mm         |              |                |                |            |            |          |          |                |            |
| 20         | 25,5         | 11             | 20,5           | 31         | 86         | 12       | 10       | 18,3           | 33,3       |
| 25         | 27           | 13             | 20,5           | 34,1       | 95         | 12       | 10       | 19,8           | 35,8       |
| 30         | 30<br>34     | 14<br>16       | 22,5<br>–      | 38,1<br>43 | 108<br>127 | 12<br>16 | 10<br>14 | 22,2<br>26     | 40,2<br>44 |
| 35         | 32<br>38     | 15<br>17       | 24,5<br>–      | 42,9<br>48 | 118<br>137 | 14<br>19 | 12<br>16 | 25,4<br>29     | 44,4<br>49 |
| 40         | 35,5<br>42   | 15<br>18       | 26<br>–        | 49,2<br>52 | 130<br>149 | 16<br>19 | 14<br>16 | 30,2<br>33     | 51,2<br>56 |
| 45         | 38<br>46     | 16<br>19       | 26,5<br>–      | 49,2<br>57 | 137<br>162 | 16<br>19 | 14<br>16 | 30,2<br>35     | 52,2<br>60 |
| 50         | 39,5<br>49,5 | 16<br>20       | 33<br>–        | 51,6<br>61 | 143<br>175 | 16<br>23 | 14<br>20 | 32,6<br>39     | 54,6<br>67 |
| 55         | 43<br>53     | 18<br>21       | 37,5<br>–      | 55,6<br>66 | 162<br>175 | 19<br>23 | 16<br>20 | 33,4<br>41     | 58,4<br>71 |
| 60         | 47,5<br>57,5 | 18<br>23       | 39<br>–        | 65,1<br>71 | 175<br>193 | 19<br>23 | 16<br>20 | 39,7<br>45     | 68,7<br>78 |
| 65         | 50           | 22             | 39             | 68,3       | 187        | 19       | 16       | 42,9           | 72,9       |
| 70         | 54           | 22             | 41,5           | 74,6       | 193        | 19       | 16       | 44,4           | 75,4       |
| 75         | 56,5<br>68   | 22<br>26       | 41,5<br>–      | 77,8<br>82 | 200<br>229 | 19<br>25 | 16<br>22 | 44,5<br>50     | 78,3<br>89 |
| 80         | 58<br>68,5   | 22<br>28       | 41,5<br>–      | 82,6<br>86 | 208<br>252 | 23<br>31 | 20<br>28 | 49,3<br>52     | 83,3<br>90 |
| 85         | 62,7         | 23,8           | 43,2           | 85,7       | 219,9      | 23       | 20       | 51,6           | 87,6       |
| 90         | 68,5         | 25             | 45,5           | 96         | 235        | 23       | 20       | 56,3           | 96         |
| 100        | 94,5         | 33             | –              | 108        | 312        | 38       | 33       | 66             | 125        |